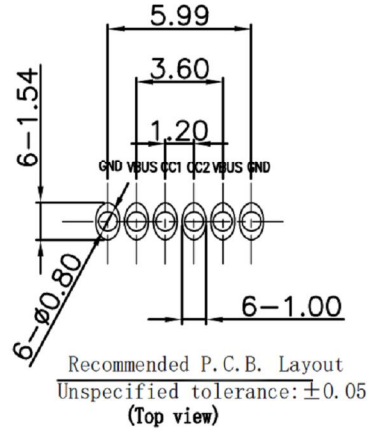
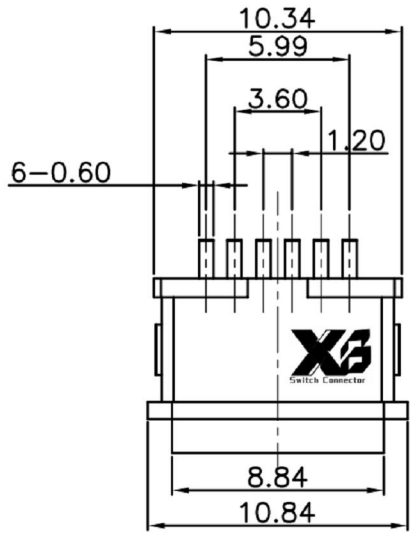


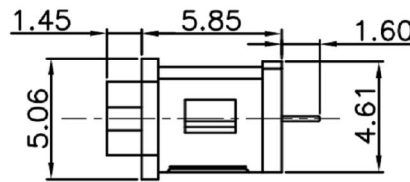
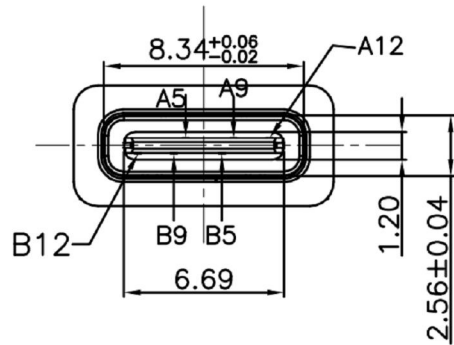
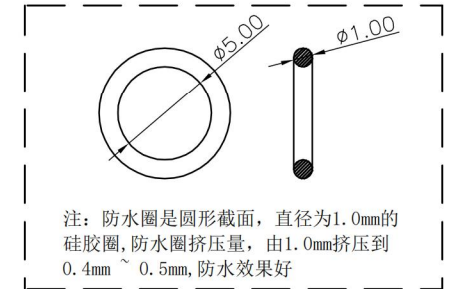
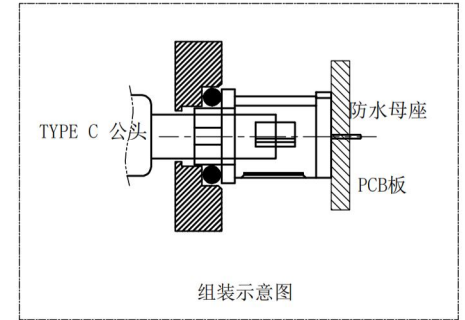
ROHS

REV.	ECN. NO.	APPD.



RECOMMENDED PCB LAYOUT(TOP VIEW)

THICKNESS T=1.0mm
DEFAULT TOLERANCE+/-0.05



NOTES: SPECIFICATION:

1. CURRENT RATING: 3.0A MAX
2. DIELECTRIC WITHSTAND VOLTAGE: 100VAC
3. TEMPERATURE RANGE: -30 °C ~ 85 °C
4. CONTACT RESISTANCE: 40 MILLIONHM MAX
5. INSULATION RESISTANCE: 100 MEGOHMS MIN.
6. INSERTION FORCE : 5N~20N
7. UNMATING FORCE: 8N~20N
8. DURABILITY:5000 CYCLES



A5	CC1	B12	GND
A9	VBUS	B9	VBUS
A12	GND	B5	CC2
PIN	SIGNAL NAME	PIN	SIGNAL NAME

ITEM	PART NAME	Q' TY	FINISH	NOTE
4	Shell1	1	SUS301 Ni Plating T=0.25mm	Ni:40~120u";
3	Housing2	1	LCP(G.F30%)	
2	Contact	5	Phosphor bronze C5210R-EH Au/Ni Plating T=0.20mm	Ni:40~160u"; Au:CONTACT AREA:3u", OTHER AREA:G/F
1	Housing	1	PA9T (G.F30%)	

.X	±0.50	X.°	±2°	UNITS	mm
.X	±0.30	.X°	±1°		
.XX	±0.10	.XX°	±0.5°	MAT'L	/
.XXX	±0.05			FINISH	/
				Q' TY	/

东莞市溪榜电子有限公司 DONG GUAN XI BANG ELECTRONICS CO., LTD		TITLE: TYPE C 6Pin 规格		
PART NO. XB-USB-C-6P-1107A-IPX7		DWG NO.: XB-USB-C-6P-1107A-IPX7		
APPD: GAO. PENG		SCALE SHEET REV.		
CHKD: HE. LONG. FEI		1/1	1/2	A1
DR: PANG. DONG				