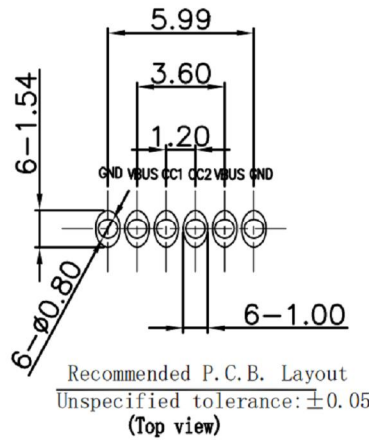
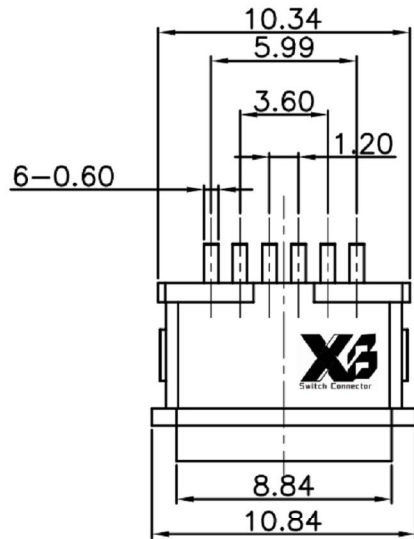


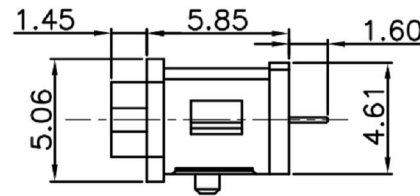
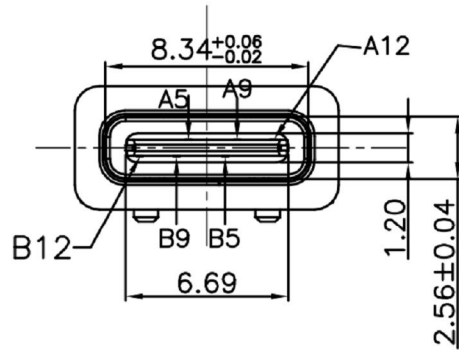
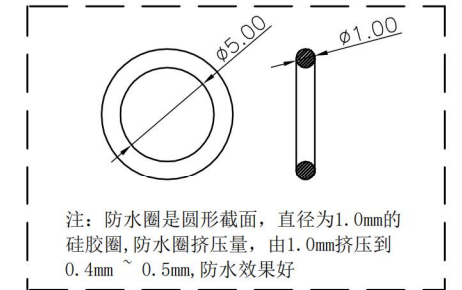
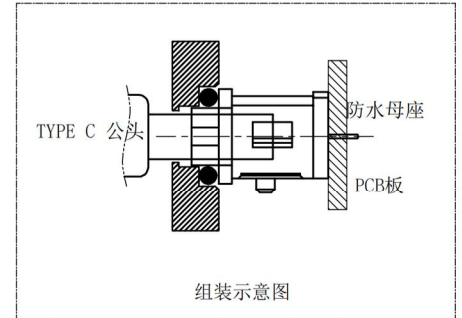
ROHS

REV.	ECN. NO.	APPD.



RECOMMENDED PCB LAYOUT(TOP VIEW)

THICKNESS T=1.0mm
DEFAULT TOLERANCE+/-0.05



NOTES: SPECIFICATION:

- CURRENT RATING: 3.0A MAX
- DIELECTRIC WITHSTAND VOLTAGE: 100VAC
- TEMPERATURE RANGE: -30 °C ~ 85 °C
- CONTACT RESISTANCE: 40 MILLIONHM MAX
- INSULATION RESISTANCE: 100 MEGOHMS MIN.
- INSERTION FORCE : 5N~20N
- UNMATING FORCE: 8N~20N
- DURABILITY:5000 CYCLES



A5	CC1	B12	GND
A9	VBUS	B9	VBUS
A12	GND	B5	CC2
PIN	SIGNAL NAME	PIN	SIGNAL NAME

ITEM	PART NAME	Q' TY	FINISH	NOTE
4	Shell1	1	SUS301 Ni Plating T=0.25mm	Ni:40~120u";
3	Housing2	1	LCP(G.F30%)	
2	Contact	5	Phosphor bronze_C5210R-EH Au/Ni Plating T=0.20mm	Ni:40~160u"; Au:CONTACT AREA:3u", OTHER AREA:G/F
1	Housing	1	PA9T (G.F30%)	

X. ±0.50	X.° ± 2°	UNITS mm	东莞市溪榜电子有限公司 DONG GUAN XI BANG ELECTRONICS CO., LTD	
.X ±0.30	.X° ± 1°			
.XX ±0.10	.XX° ± 0.5°	MAT'L	PART NO. XB-USB-C-6P-1107-IPX7	
.XXX ± 0.05			TITLE: TYPE C 6Pin 球针	
THESE DRAWINGS AND SPECIFICATIONS ARE THE PROPERTY OF XI BANG ELECTRONIC TECHNOLOGY CO., LTD. AND SHALL NOT BE REPRODUCED, COPIED OR USED IN ANY MANNER WITHOUT THE PRIOR WRITTEN CONSENT OF XI BANG ELECTRONIC TECHNOLOGY CO., LTD			APPD: GAO. PENG	DWG NO. : XB-USB-C-6P-1107-IPX7
			CHKD: HE. LONG. FEI	
			Q' TY	DR: PANG. DONG