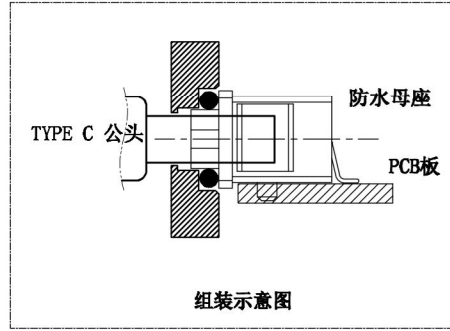
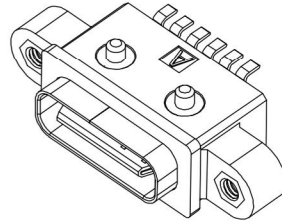
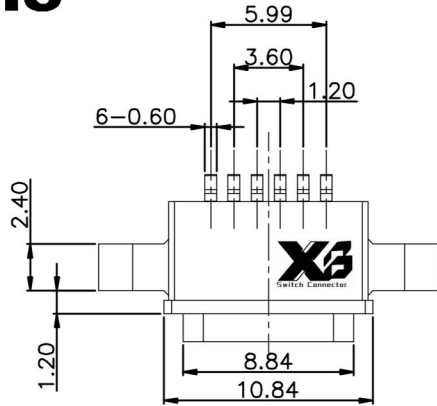
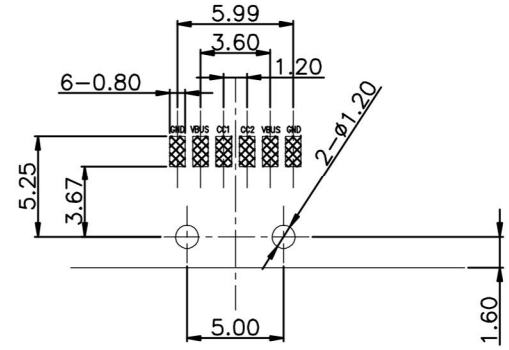


ROHS

REV.	ECN. NO.	APPD.

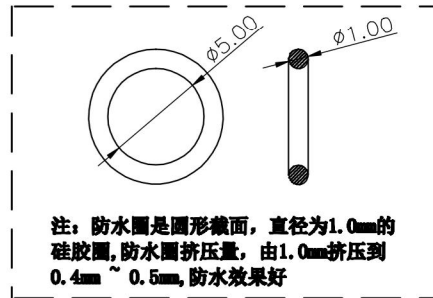
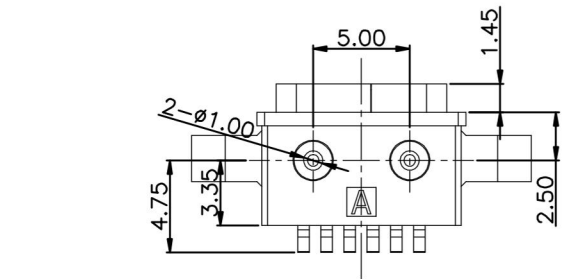
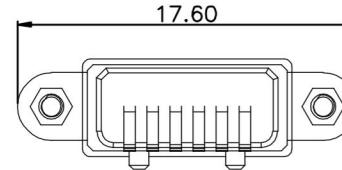
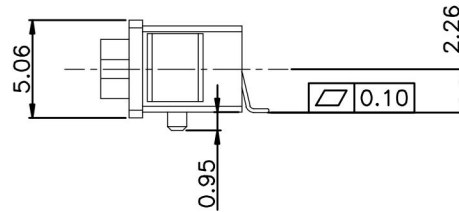
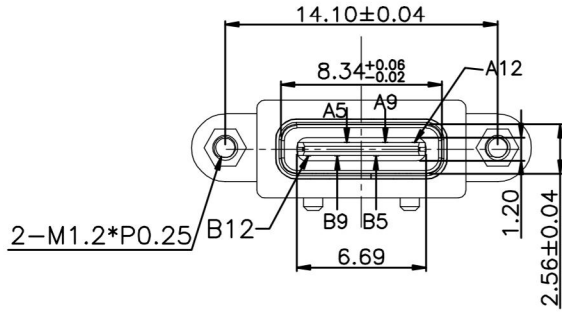


组装示意图



RECOMMENDED PCB LAYOUT(TOP VIEW)

THICKNESS T=1.0mm
DEFAULT TOLERANCE+/-0.05



NOTES:
SPECIFICATION:

1. CURRENT RATING: 3.0A MAX
2. DIELECTRIC WITHSTAND VOLTAGE: 100VAC
3. TEMPERATURE RANGE: -30 °C ~ 85 °C
4. CONTACT RESISTANCE: 40 MILLIONHM MAX
5. INSULATION RESISTANCE: 100 MEGOHMS MIN.
6. INSERTION FORCE : 5N~20N
7. UNMATING FORCE: 8N~20N
8. DURABILITY:5000 CYCLES

由 Autodesk 教育版产品制作

由 Autodesk 教育版产品制作

A5	CC1	B12	GND
A9	VBUS	B9	VBUS
A12	GND	B5	CC2
PIN	SIGNAL NAME	PIN	SIGNAL NAME

ITEM	PART NAME	Q'TY	FINISH	NOTE
5	Screw	1	C3604 Ni Plating	N1:40°180u"
4	Shell1	1	SUS301 Ni Plating T=0.25mm	N1:40°180u"
3	M-D2	1	LCP(G.F30%)	
2	Contact	5	Phosphor bronze C5210R-EH Au/Ni Plating T=0.20mm	N1:40°180u" As:CONTACT AREA:3u", OTHER AREA:6/P
1	Housing	1	PA9T (G.F30%)	

X.	± 0.50	X.°	± 2°	UNITS	mm
.X	± 0.30	.X°	± 1°		
.XX	± 0.10	.XX°	± 0.5°	MAT'L	/
.XXX	± 0.05			FINISH	/
				Q'TY	/

XB 东莞市溪榜电子有限公司
DONG GUAN XI BANG ELECTRONICS CO., LTD

PART NO.		TITLE:	
XB-USB-C-6P-1103-IPX7		TYPE C 6Pin SMT Type	
APPD:	GAO. PENG	DWG NO.:	XB-USB-C-6P-1103-IPX7
CHKD:	HE. LONG. FEI	SCALE	SHEET
DR:	PANG. DONG	1/1	1/2
		REV.	A1