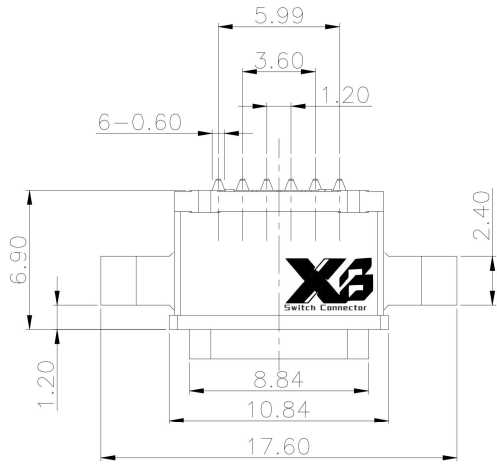


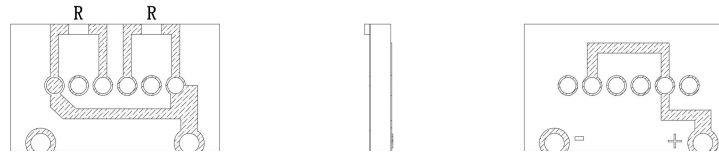
ROHS

REV.	ECN. NO.	APPD.



PCB板示意图

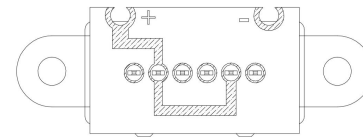
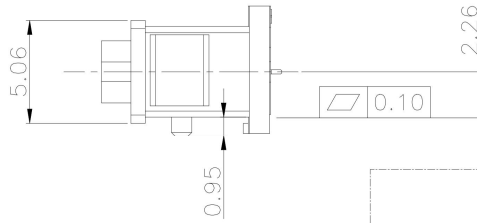
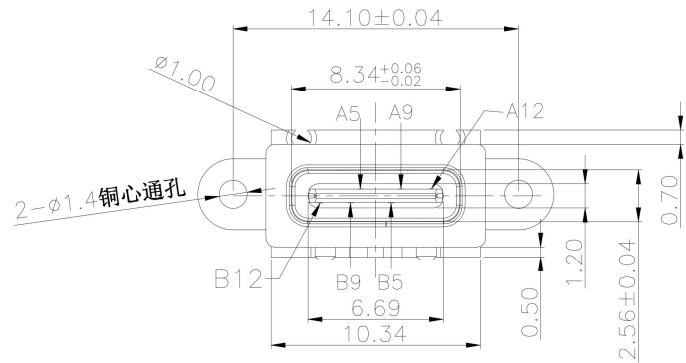
R:2-0402 5.1K欧姆电阻. 包料



Recommended P. C. B. Layout
Unspecified tolerance: ±0.05
(Top view)

RECOMMENDED PCB LAYOUT(TOP VIEW)

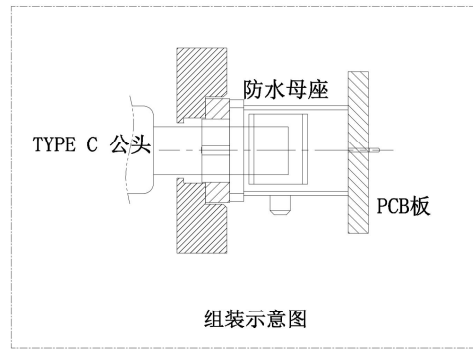
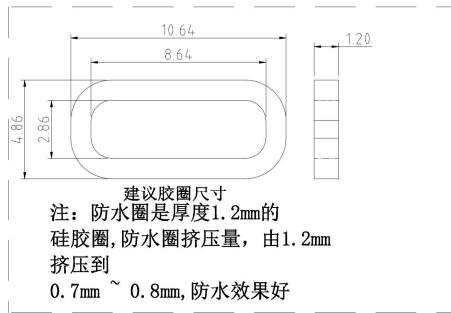
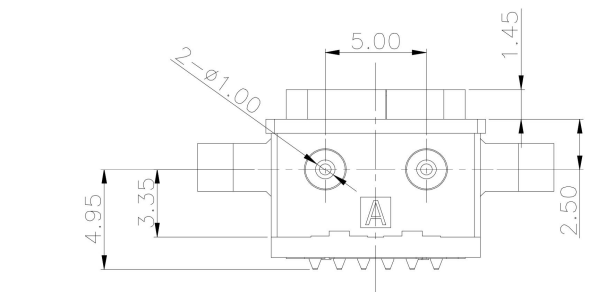
THICKNESS T=1.0mm
DEFAULT TOLERANCE+/-0.05



注: 可根据需要焊接电子线,
长度可定制

UL3302\26AWG\黑色\负极, 两端剥线浸锡2.0mm

UL3302\26AWG\红色\正极, 两端剥线浸锡2.0mm



NOTES:
SPECIFICATION:

1. CURRENT RATING: 3.0A MAX
2. DIELECTRIC WITHSTAND VOLTAGE: 100VAC
3. TEMPERATURE RANGE: -30 °C ~ 85 °C
4. CONTACT RESISTANCE: 40 MILLIONHM MAX
5. INSULATION RESISTANCE: 100 MEGOHMS MIN.
6. INSERTION FORCE : 5N~20N
7. UNMATING FORCE: 8N~20N
8. DURABILITY:5000 CYCLES

A5	CC1	B12	GND
A9	VBUS	B9	VBUS
A12	GND	B5	CC2
PIN	SIGNAL NAME	PIN	SIGNAL NAME

ITEM	PART NAME	Q' TY	FINISH	NOTE
5	Screw	1	C3604 Ni Plating	Ni:40~120u";
4	Shell1	1	SUS304 Ni Plating T=0.25mm	Ni:40~120u";
3	M-D2	1	LCP(G.F30%)	
2	Contact	5	Phosphor bronze_C5210R-EH Au/Ni Plating T=0.20mm	Ni:40~160u"; Au:CONTACT AREA:3u", OTHER AREA:G/F
1	Housing	1	PA9T (G.F30%)	

X.	±0.50	X.°	±2°	UNITS	mm
.X	±0.30	.X°	±1°		
.XX	±0.10	.XX°	±0.5°	MAT'L	
.XXX	±0.05			FINISH	
				Q' TY	

X3 东莞市溪榜电子有限公司
DONG GUAN XI BANG ELECTRONICS CO., LTD

PART NO.	XB-USB-C-6P-1120A-6PCB-IPX7	TITLE:	TYPE C 6Pin 立式插件带PCB
APPD:	GAO. PENG	DWG NO.:	XB-USB-C-6P-1120A-6PCB-IPX7
CHKD:	HE. LONG. FEI	SCALE	1/1
DR:	PANG. DONG	SHEET	1/2
		REV.	A1

由 Autodesk 教育版产品制作

由 Autodesk 教育版产品制作