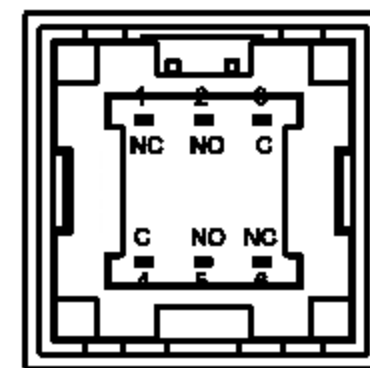
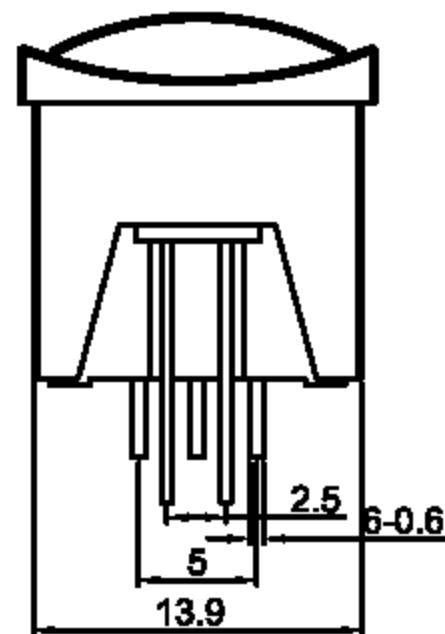
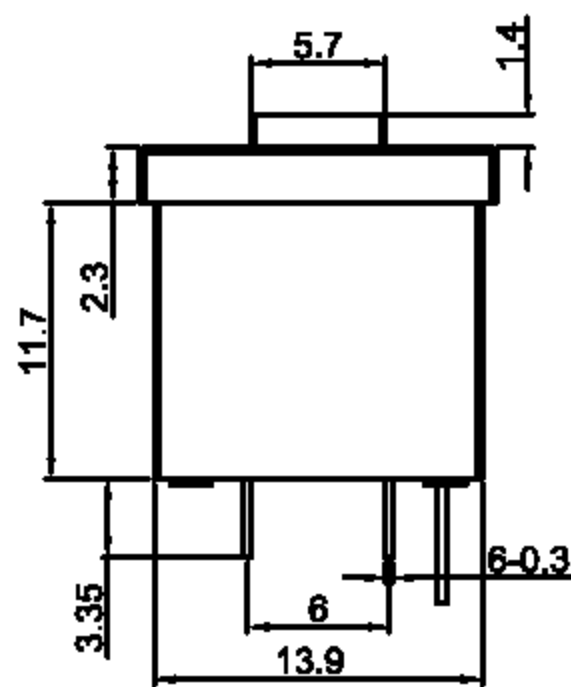
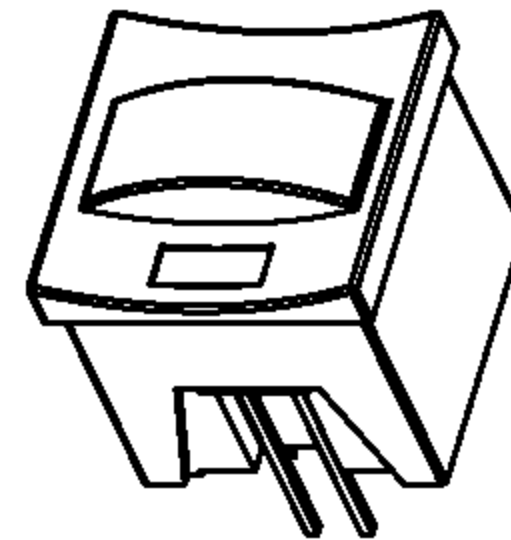
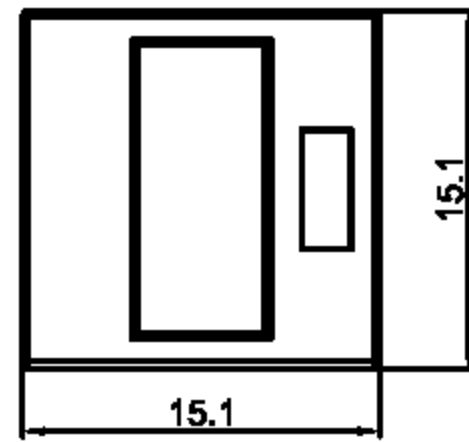


东莞市溪榜电子有限



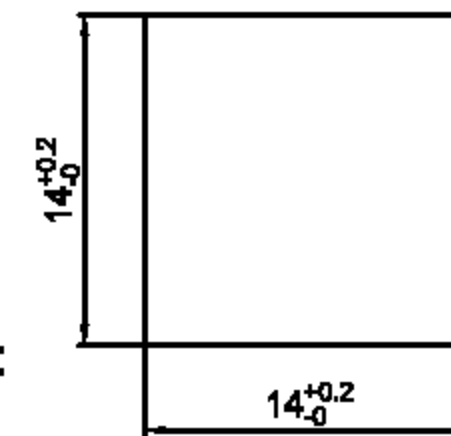
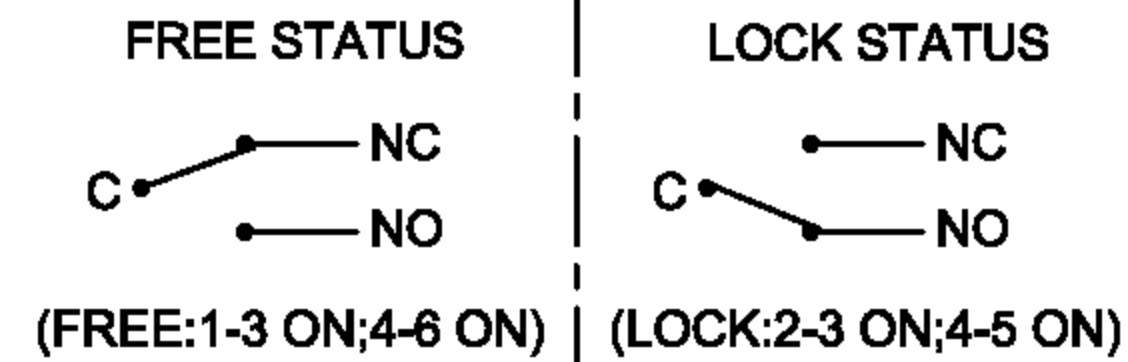
BOTTOM VIEW

Rating: 100mA 30VDC ;
 Contact Resistance: 100mΩ Max. ;
 Insulation Resistance:DC 500V 100MΩ Min. ;
 Dielectric Strength:AC 250V 1 minute
 Total Travel: 2.5±0.5mm
 Operating Force:200±100gf
 Mechanical Life: Over 50,000 cycles
 Electrical Life: Over 10,000 cycles
 Operating Temperature:-20°C~70°C
 Manual welding:350°C for 3 Seconds

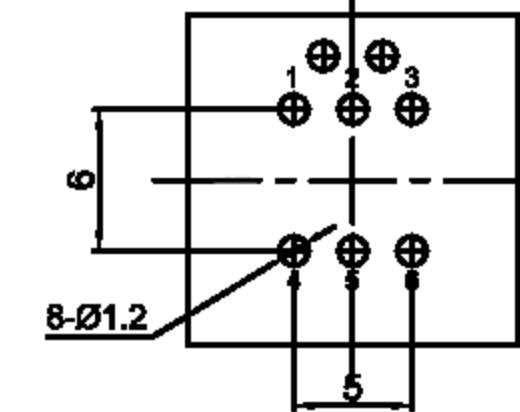
MATERIAL:

Outer Frame:ABS;
 Base:ABS ;
 Actuator:ABS
 Terminal: Brass,Silver or Tin plated .

Contact Configuration



PANEL HOLE



PCB HOLE(BOTTOM VIEW)

Y	Yellow	黄色
W	White	白色
U	Blue	蓝色
R	Red	红色
G	Green	绿色
B	Black	黑色
A	Gray	灰色
CAP COLOR (X)		

Note:

1.This product is strictly prohibited wave soldering and reflow soldering,please use the manual welding processing, temperature of 350°±5°and time is 3±0.5 seconds;
 2.After the product is welded on the PCB board,it is prohibited to use any solvent to clean the PCB board,and avoid the influence of the inner product.

				公差 TOLERANCES		.X± 0.3 .XX± 0.15		角度 ANGLE± 1°		单位 DIMENSION UNIT mm.	
				视角 VIEWING ANGLE	比例尺 SCALE	NONE		日期 DATE	2016.10.07		品名 TITLE
				核准	核对	Sinc		绘图	姜庆勇		图号 DRAWING NO
版本 VER.	变更说明 CHANGE DESCRIPTION	日期 DATE	ECN NO.	APPROVED BY	Richard	CHECKED BY	Sinc	DRAWN BY			
A1	增加产品焊锡说明	2016.10.07	N/A								
A0	New Issue	2011.12.08	N/A								