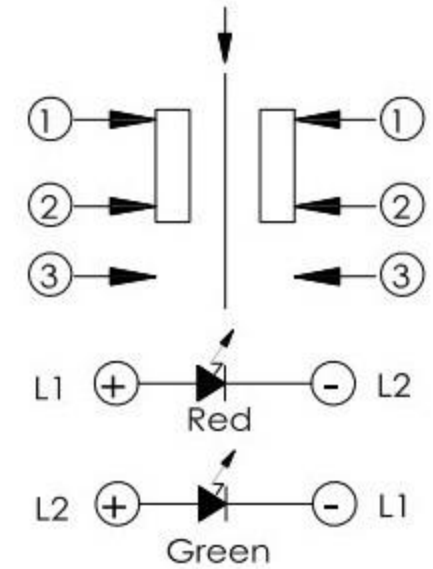
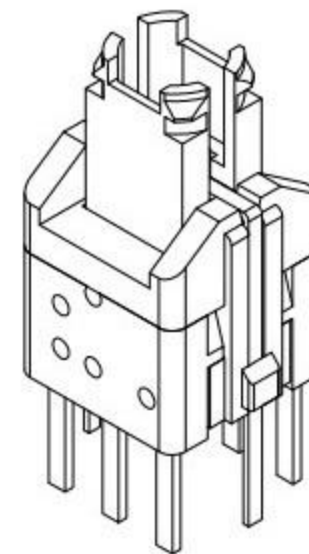
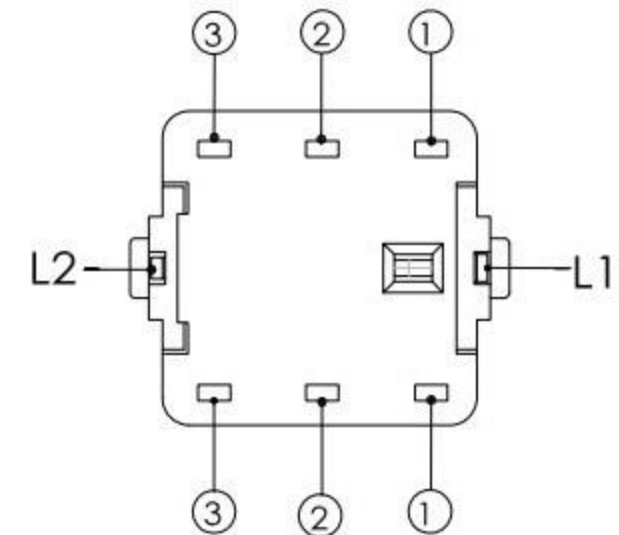


P.C.B LAYOUT MOUNTING PATTERN



CIRCUIT



0	Without	1	Red
2	Green	3	Orange
4	Yellow	7	Blue
8	White		

0	Without	1	Red
2	Green	3	Orange
4	Yellow	7	Blue
8	White		

8									
7									
6									
5	SPRING	SUS304	1	NATURAL					
4	CAM STICK	SUS304	1	NATURAL					
3	CASE	PA66/BRASS STRIP	1	GREY/Ag PLATED					
2	COVER	PA66+15%F.G	1	BLACK					
1	KNOB	PA66+15%F.G/PBS STRIP	1	BLACK/Ag CLAD					
NO.	PARTS	MATERIALS	Q'TY						
					TOLERANCE UNLESS SPECIFIED				
					WITHIN 1.5mm : ±0.1mm		A	2016-10-14	初版
					OVER 1.5mm : ±0.2mm		ISSUE	DATE	DESCRIPTIONS OF REVISION
					TITLE : VERTICAL PUSH SWITCH			UNIT : mm	DRWG NO.:
					MODEL:			SCALE: 5:1	DWN. 2016-10-14
					东莞市溪榜电子有限公司			CHK'D	2016-10-14
								APPD.	