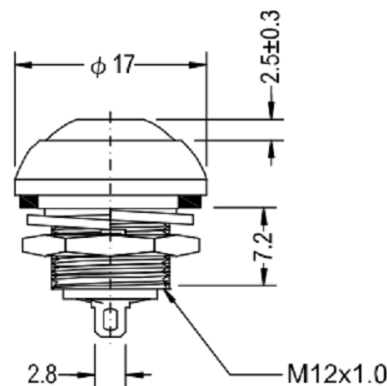
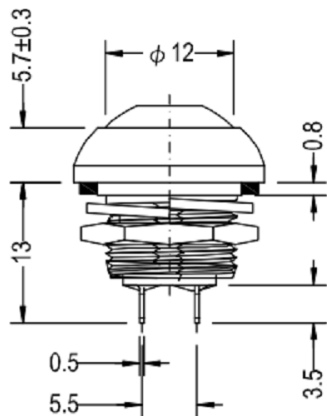
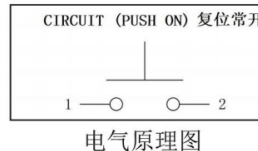


IP67

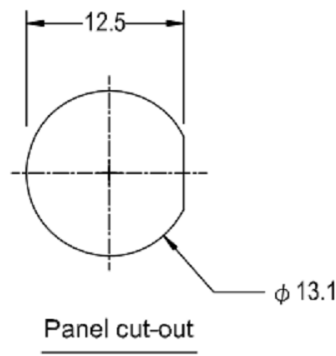
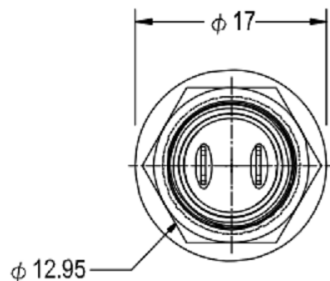
ROHS



SCHEMATIC



W	白色
B	黑色
G	绿色
Y	黄色
R	红色
上盖颜色 X Cap color X	



- 技术要求:
- 电气性能
 额定电流/电压: 3A/125VAC 1.5A/250VAC;
 接触电阻: ≤100mΩ;
 绝缘电阻: ≥100MΩ;
 介电强度: ≥1500VAC/1min;
 - 环境温度: -20℃~85℃;
 - 未注公差均按GB / T1804-m级。

The material contained in this drawing is the property of XiBang. Any use other than that specifically authorized by XiBang is prohibited. The above drawing IS subjected to change for improvement without prior notice.

		东莞市溪榜电子有限公司 DONG GUAN XI BANG ELECTRONICS CO.,LTD									
		TITLE : PUHS SWITCH		MODEL : XB-PBS1-11D							
UNIT : MM	DWN.	ZENQ. CHEN	DATE		TOLERANCE ≤1.5mm±0.1 > 1.5mm±0.2 >10mm±0.3			ANGLE ±2°			
SCALE : 3 : 1	CHK'D	PENG. GAO	DATE								
VERSION	01	APPD.	FEI. LONG. HE	DATE							
							7	SPRING	STEEL WIRE	1	NATURE
							6	STEEL BALL	STBEL	1	NATURE
							5	BOARD	PHENOLIC RESIN	1	NATURE
							4	CONTACT CLIP	PBS STRIP	2	Ag PLATED
							3	FRAME	IRON STRIP	1	Ni PLATED
							2	TERMINAL	BRASS STRIP	8	Ag PLATED
							1	KNOB	POM	1	BLACK
							NO.	PART NAME	MATERIAL	QTY.	FINISHING