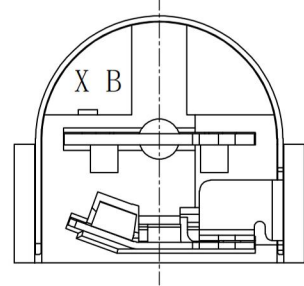
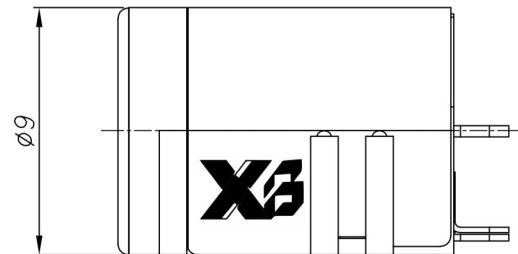
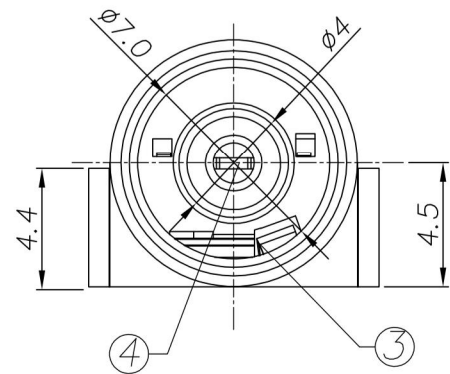
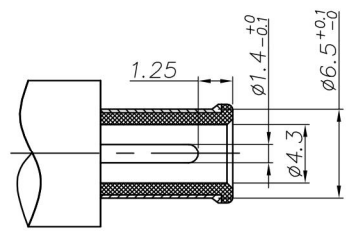
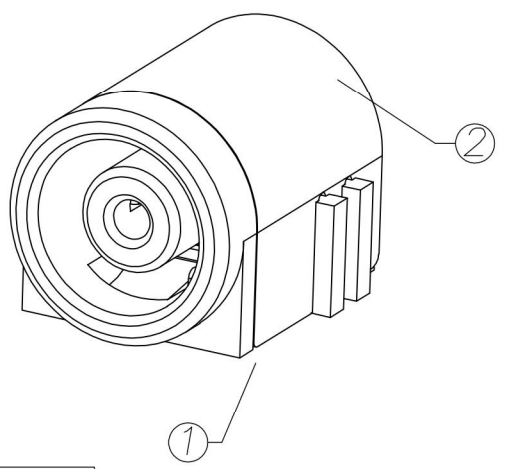
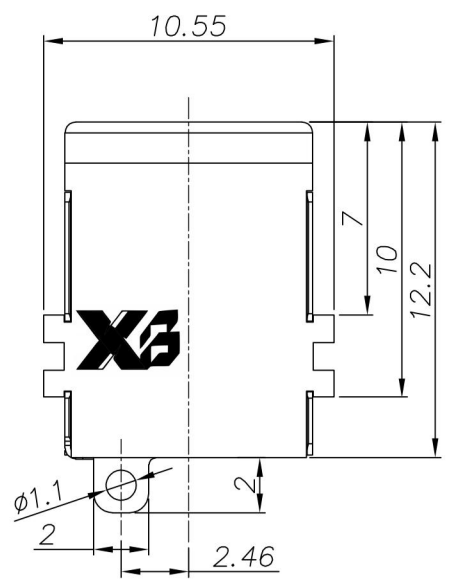


ROHS

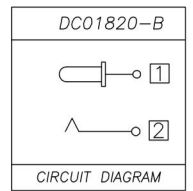
REV. LTR.	DESCRIPTION	SIGN	DATE
	Proposal drawing	Matt	2012.10.27
	Proposal drawing	Matt	2012.11.02



XB-DC01820 - B F PB 0A T H 4
 (1) (2) (3) (4) (5) (6) (7) (8)
 (1):Series No.
 (2):Schematic option:B
 (3):Center pin diameter:
 F=φ1.4
 (4):Material of housing:
 PB=PBT
 (5):Housing color:
 0A=Black
 (6):Terminal plating:
 T=Tin plating
 (7):Special option:
 H=Halogen Free
 (8):Packing mode:
 4=Bag packing



DC MATE PLUG



SPECIFICATION
 1.Rating : DC 20V 5A;
 2.Contact resistance: ≤50mΩ;
 After test: ≤100mΩ;
 3.Insulation resistance: ≥100MΩ (DC500V);
 After test: ≥50MΩ
 4.Withstand voltage: 500VAC ;

NO.	DESCRIPTION	QTY	MATERIAL	PLATING
④	Center terminal	1	Phosphor Bronze	Tin plating
③	Tip spring	1	Phosphor Bronze	Tin plating
②	Shell	1	Brass	Ni plating
①	Housing	1	PBT, UL94V-0, BLACK	Halogen Free

THIS DOCUMENT IS THE SOLE PROPERTY OF XI BANG ELECTRONICS CO., LTD. AND SHOULD NOT BE USED IN WHOLE OR INPART WITHOUT PRIOR WRITTEN PERMISSION.	UNIT:MM	TOLERANCE		TYPE: DC POWER JACK	MODEL NO: XB-DC01820-BFPB0ATH4	DRAWING TYPE: CUSTOMER DRAWING		
		DIMENSIONS	ANGLES		DRAWING No:	SCALE: N/A	VER.: X4	PAGE: 1/1
		.X ±0.50	X ±5°					
		.XX ±0.30	.X ±3°					
	.XXX±0.15	.XX ±2°	DESIGNER BY: Matt 2012. 10. 27	东莞市溪榜电子有限公司 Switch Connector DONG GUAN XI BANG ELECTRONICS CO., LTD				
	CHECK BY: GBF 2012. 10. 27							
	APPROVED BY: JGG 2012. 10. 27							