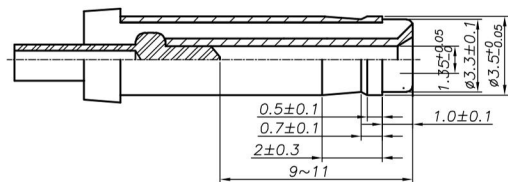
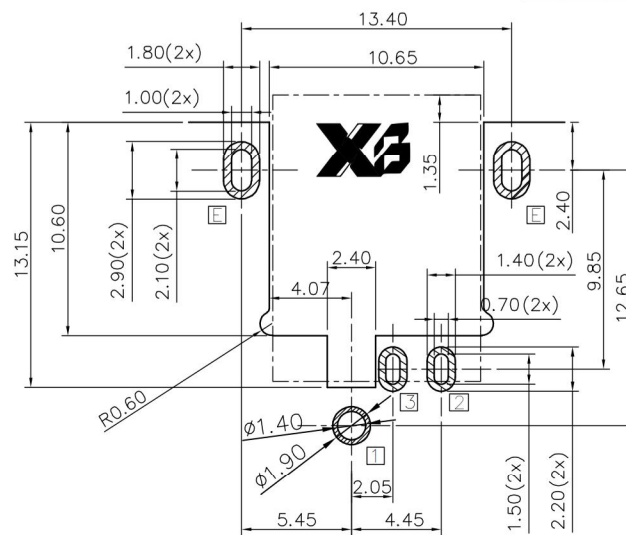


ROHS

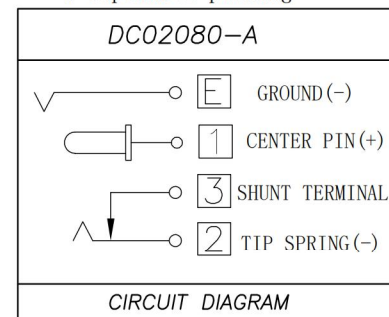
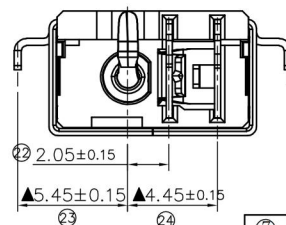
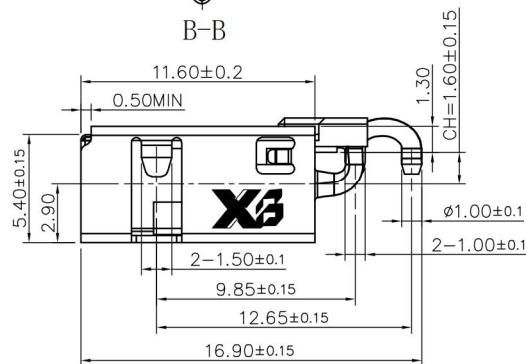
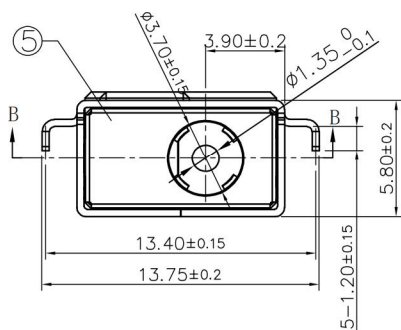
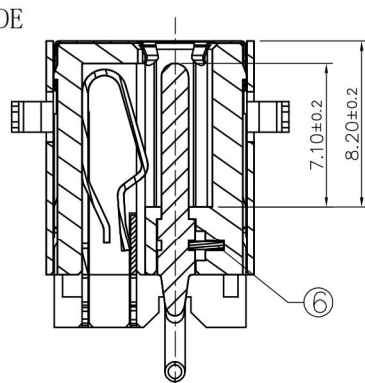
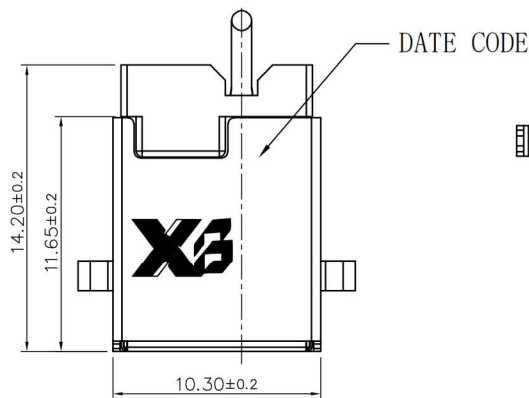
REV.	Q'TY	ECN.	NO.	REASON&CONTENTS	SIGN	DATE
				New release.	Bull. pan	2018.09.13



DATE CODE:
YY MM DD
Date
Month
Year

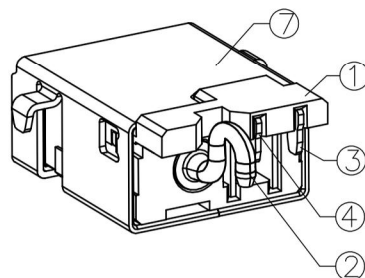


Ordering information:
XB-DC02080- A E LC OA G 0 1
(1) (2) (3) (4) (5) (6) (7) (8) (1) : Series No.
(2):Schematic option: A
(3):Center pin diameter:
E= $\phi 1.35$
(4):Material of housing:
LC=LCP
(5):Housing color:
OA=Black (Standard)
(6):Terminal plating
G=Gold(Gold flash)
(7):Special option:
0=No special option
(8):Packing mode:
1=Tape&Reel packing



Specification:

- Rating : DC 20V 7A.
- Contact resistance: $\leq 30\text{m}\Omega$.
After life test: $\leq 50\text{m}\Omega$.
- Insulation resistance: $\geq 100\text{M}\Omega$ (500VDC).
After life test: $\geq 50\text{M}\Omega$.
- Withstand voltage: 500VAC.
- Insertion and extraction force:
Initial: $10\text{N} \sim 30\text{N}$.
After life test: $7\text{N} \sim 30\text{N}$.
- life test: 10000cycles min.
- Operation temperature range: $-20^\circ\text{C} \sim 70^\circ\text{C}$.
- Preservative temperature range: $-40^\circ\text{C} \sim 85^\circ\text{C}$.



⑦ SHELL	1	C2680-H t=0.35	All over Ni 40u" Min.
⑥ Terminal	1	Copper Alloy	
⑤ Grounding	1	SUS301-H t=0.10	N/A
④ Shunt terminal	1	C2680-H t=0.30	All over Gold flash
③ Tip spring	1	C5210-EH t=0.30	
② Center Pin	1	Brass	G/F 1u" Min, All over Ni 40u" Min.
① Housing	1	LCP 30%GF	Black

THIS DOCUMENT IS THE SOLE PROPERTY OF XIBANG ELECTRONICS CO., LTD. AND SHOULD NOT BE USED IN WHOLE OR IN PART WITHOUT PRIOR WRITTEN PERMISSION.	UNIT:MM	TOLERANCE		TYPE: DC JACK	MODEL NO: XB-DC02080-AELCOAG01	DRAWING TYPE: CUSTOMER DRAWING		
		DIMENSIONS	ANGLES		DRAWING No: XB-CR-0000-0391	SCALE: N/A	VER. : 01	PAGE: 1/1
DESIGNER BY:	CHECK BY:	APPROVED BY:						