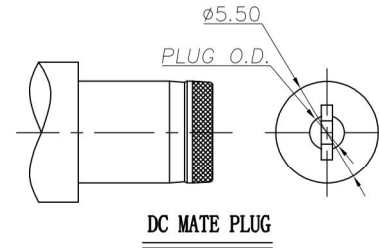
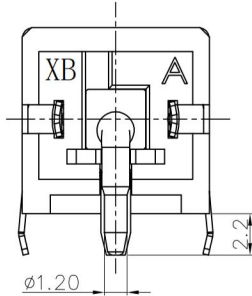
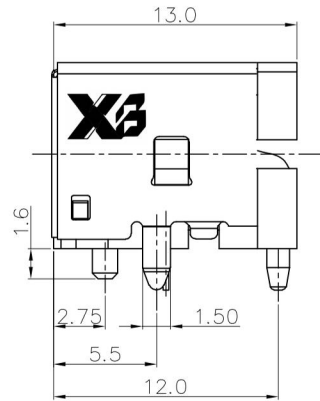
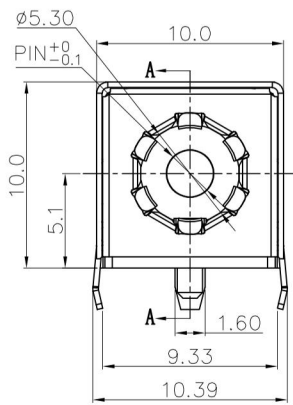
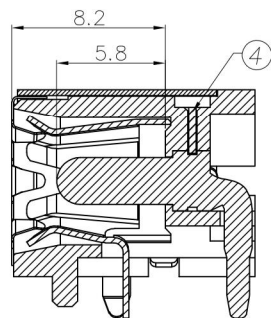
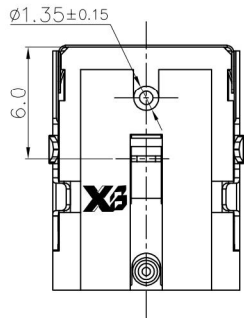


ROHS

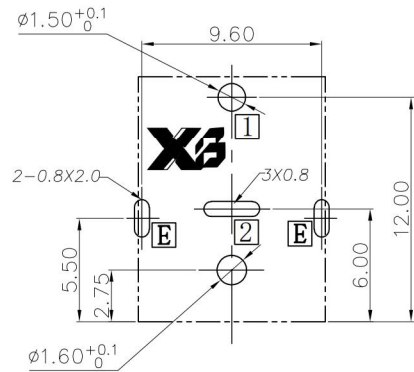
| REV. | Q' TY | ECN. NO. | REASON&CONTENTS | SIGN | DATE |
|------|-------|----------|-----------------|------|--------------|
| A0 | 0 | | New release. | P. J | 2016. 03. 24 |



Ordering information:
XB-DC0146B - B **10**
 (1) (2) (3) (4) (5) (6) (7) (8)
 (1):Series No.
 (2):Schematic option:B
 (3):Center pin diameter:
 G=φ1.65, H=φ2.0, J=φ2.5
 (4):Material of housing:
 10=PA10T (Standard)
 (5):Housing color:
 Zero OA=Black 3C=Orange (157C)
 (6):Terminal plating:
 T=Tin(Sn) S=Silver(Ag)
 (7):Special option:



SECTION: A-A
 (Short Center pin end is Circle)

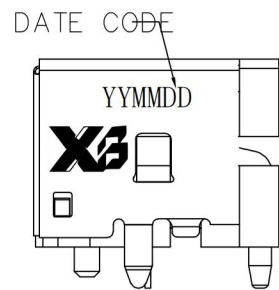
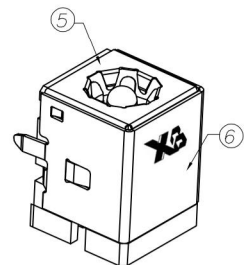
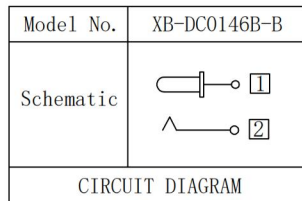


RECOMMENDED P.C.B. LAYOUT
 UNSPECIFIED TOLERANCE: ±0.05
 (TOP VIEW)

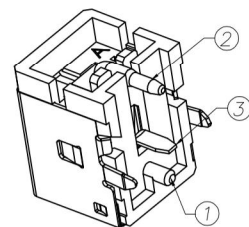
| DESCRIPTION | Code | Specification |
|-------------|------|--------------------------|
| Center pin | 0 | Ni plating, NO DATE CODE |
| | A | Au plating, NO DATE CODE |
| | T | Sn plating, NO DATE CODE |
| | D | Ni plating, DATE CODE |
| | S | Ag plating, NO DATE CODE |

(8):Packing mode:
 1=Reel packing
 3=Plastic box packing

| Model No. | DC0146B- _G | DC0146B- _H | DC0146B- _J |
|-----------|--|--|--|
| PIN | φ1.65 | φ2.0 | φ2.5 |
| PLUG O.D. | 1.70 ^{+0.10} _{-0.00} | 2.05 ^{+0.10} _{-0.00} | 2.55 ^{+0.10} _{-0.00} |



喷码示意图



(3D参考视图)

| NO. | DESCRIPTION | Q' TY | MATERIAL | REMARK |
|-----|-----------------|-------|--------------------------|---|
| ⑥ | Ground Terminal | E 1 | Copper Alloy | Ni plating |
| ⑤ | Shield plate | 1 | Stainless steel | |
| ④ | Terminal | 1 | Copper Alloy | |
| ③ | Tip spring | 2 1 | Copper Alloy | See "Ordering info" |
| ② | Center pin | 1 1 | Zn Alloy | Short Center pin end is Circle Ni plating |
| ① | Housing | 1 | High temp. Thermoplastic | Halogen Free, Black |

Specification:
 1. Rating : DC 20V 5A 8A; □ : TERMINAL NO.
 2. Contact resistance: ≤30mΩ;
 After test: ≤50mΩ
 3. Insulation resistance: ≥100MΩ (500VDC);
 After test: ≥50MΩ
 4. Withstand voltage: 500VAC ;
 5. Insertion and extraction force: 3N~30N;
 6. life test: 5000cycles MIN. ;
 7. Operation temperature range: -20℃~70℃
 8. Preservative temperature range: -40℃~85℃

| | | | | | |
|--|--------------|---|------------------------------------|--------------|---------------------|
| THIS DOCUMENT IS THE SOLE PROPERTY OF XI BANG ELECTRONICS CO., LTD. AND SHOULD NOT BE USED IN WHOLE OR IN PART WITHOUT PRIOR WRITTEN PERMISSION. | UNIT: MM | TOLERANCE | TYPE: | MODEL NO: | DRAWING TYPE: |
| | | DIMENSIONS ANGLES | DC POWER JACK (5.8mm圆头 短中心针) | XB-DC0146B-B | CUSTOMER DRAWING |
| | DESIGNER BY: | .X ±0.50 .X ±5° .XX ±0.30 .X ±3° .XXX ±0.15 .XX ±2° | | DRAWING No: | SCALE: VER. : PAGE: |
| CHECK BY: | APPROVED BY: | | XB-CR-0000-0344 | N/A AO 1/1 | |

XB 东莞市溪榜电子有限公司
 Switch Connector DONG GUAN XI BANG ELECTRONICS CO., LTD