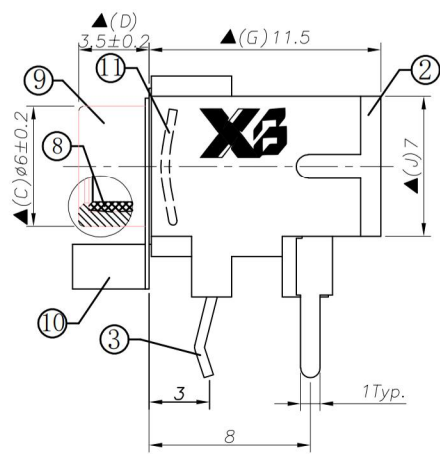
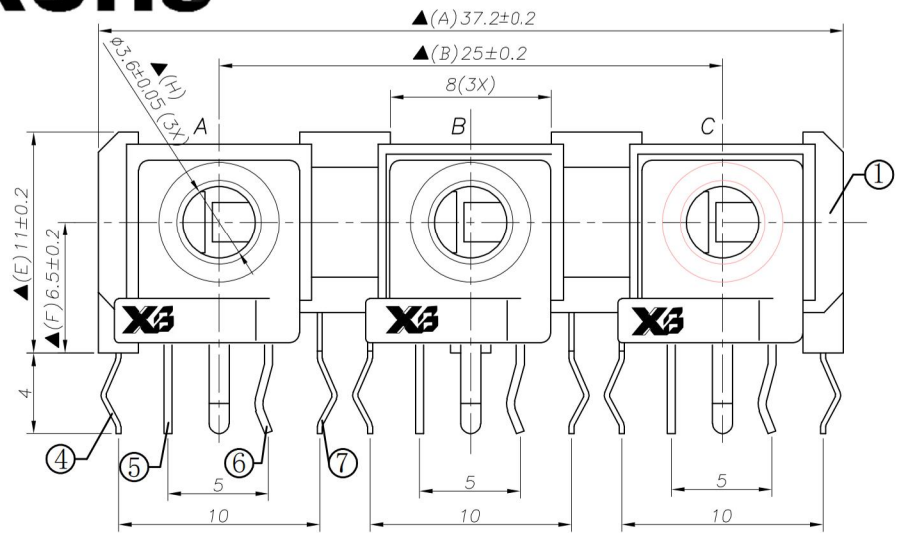


ROHS

REV.	Q' TY	ECN. NO.	REASON&CONTENTS	SIGN	DATE
△5	x2		Modify shrapnel material.	HDP	2017.07.07



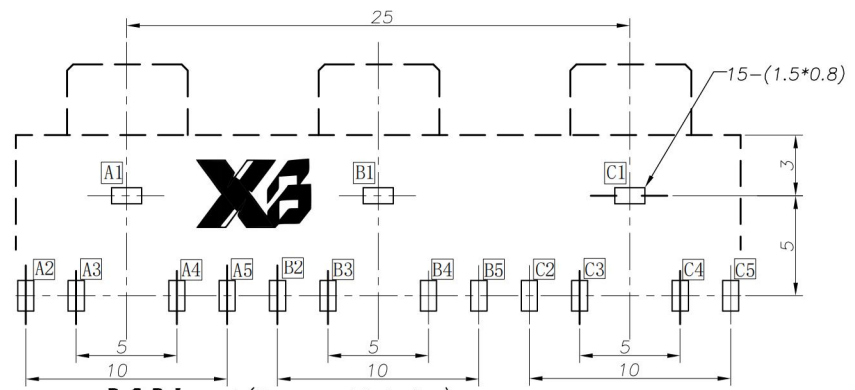
Specification:
 1. Rating : DC 30V 0.5A;
 2. Contact resistance: $\leq 50m\Omega$;
 After test: $\leq 100m\Omega$;
 3. Insulation resistance: $\geq 100M\Omega$ (500VDC);
 After test: $\geq 50M\Omega$;
 4. Withstand voltage: 500VAC ;
 5. Insertion and extraction force: 3N~30N;
 6. life test: 5000cycles min;
 7. Operation temperature range: -20℃~70℃
 8. Preservative temperature range: -40℃~85℃
 9. Sign '▲' is importance dimension

Ordering information:
 XB-PJ3361P - □ 66 01 T □ □ 3
 (1) (2) (3) (4) (5) (6) (7)

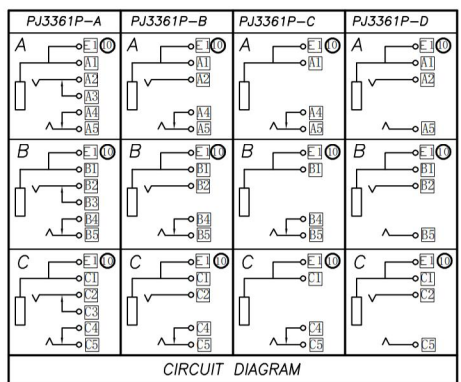
(1):Series No.
 (2):Schematic option: A B C D
 (3):Material of housing: 66=PA66 (Standard)
 (4):Bushing color:

Bushing Code	A	B	C
01	Green 0015	Blue 0236	Pink 0132

Zero
 (5):Terminal plating:
 T=Tin(Sn) plating (Standard)
 (6):Special option:
 00=No special option (Standard)
 01=Without spring
 (7):Packing mode:
 3=Plastic box packing



P. C. B Layout (Copper-sided view)



CIRCUIT DIAGRAM

□: TERMINAL NO. ○: ITEM NO.

⑩	Spring	3	Stainless steel $\phi 0.4$	PJ30060-65(TP-JK0013)	Nickel(Ni) plating
⑩	Earth spring	3	Stainless steel 0.2t	PJ3006R-E1(TP-608)	
⑨	Bushing	3	PBT	PJ3006P-S7(ZT-598)	Green,Blue,Pink
⑧	Bushing	3	Copper alloy	PJ3006P-88(ZT-599)	Nickel(Ni) plating
⑦	Tip spring	3	Stainless steel t0.25	PJ3006E-05(JA-JK0041)	Tin(Sn) plating
⑥	Shut terminal	3	Brass 0.4t	PJ30170-04(JA-JK0010)	Tin(Sn) plating
⑤	Shut terminal	3	Brass 0.4t	PJ30170-03(JA-JK0011)	Tin(Sn) plating
④	Ring spring	3	Stainless steel t0.25	PJ30170-02(JA-JK0012)	Tin(Sn) plating
③	Earth terminal	3	Brass 0.5t	PJ3006E-01(JA-JK0040)	Tin(Sn) plating
②	Rear cover	3	PBT	PJ30170-S2(GZ-JK0001)	Black
①	Housing	1	PA66+15%GF	PJ33600-S1(PJ306EA-21-19)	Black

NO.	DESCRIPTION	QTY	MATERIAL	Part NO	REMARK
UNIT: MM		TYPE: $\phi 3.5$ PHONE JACK		MODEL NO: PJ3361P-__6601T003	
DESIGNER BY: Yang Gang 2010.09.10		PAPER NO: A4		PAGE 1 OF 1	
CHECK BY:		TOLERANCE ± 0.3		ANGLES $\pm 2'$	
APPROVED BY:		SCALE FULL		VER 5	

X3 东莞市溪榜电子有限公司
 Switch Connector DONG GUAN XI BANG ELECTRONICS CO., LTD