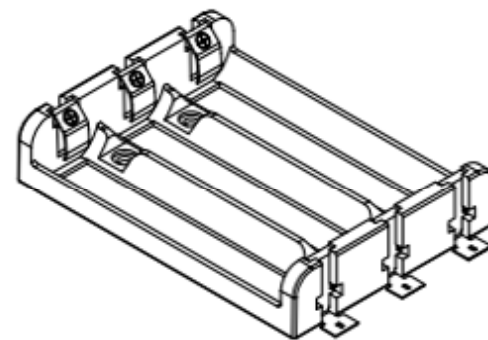
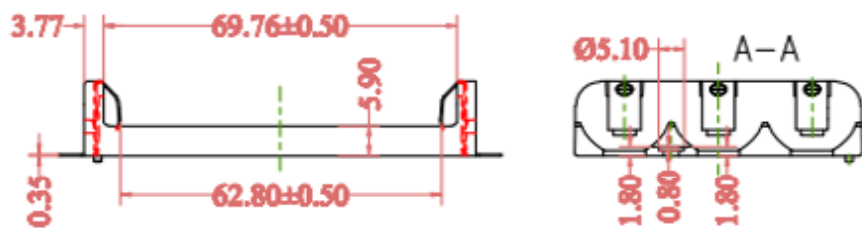


**PCB LAYOUT**



**NOTE:**


- \* Type: Surface Mounted Device
- \* Base Material: Nylon Resin, Black Color
- \* Flammability Rating: UL94V-0
- \* Temperature Range: -35°C to 225°C
- \* Contacts: 0.35mm Stainless Steel Temper, Flash Gold
- \* Dielectric Strength: 560 Volts/Mil. at 25°C for 5 Sec.
- \* RoHS COMPLIANT



**东莞市溪榜电子有限公司**

DONG GUAN XI BANG ELECTRONICS CO., LTD.

**PART NAME** XB-BC-18650-3P

PROJECTIVE 	TOLERANCES [MM]	DRN BY	DATE
	DECIMAL [±.10]	HYQ	20230224
	ANGULAR ±0.50°	APPD	SCALE
	UNLESS OTHERWISE SPECIFIED	XIFY	1X
		DWG NO.	CODE
		PA18650X3-SMT	18650