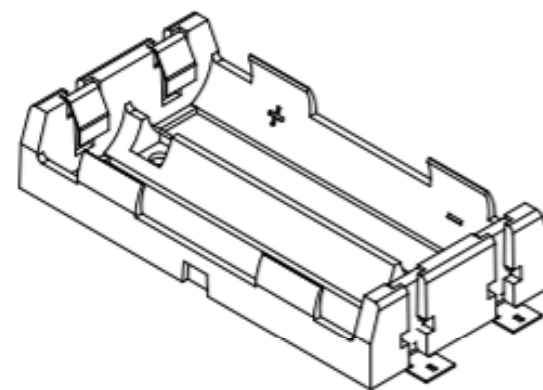
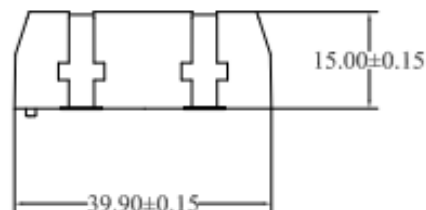
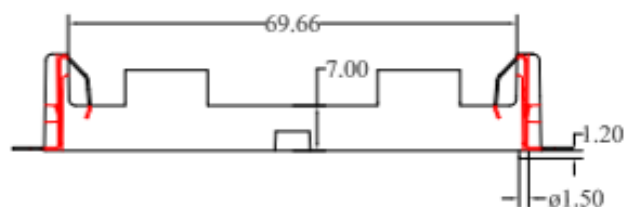


PCB LAYOUT



NOTE:

- * Type: Surface Mounted Device
- * Base Material: Nylon Resin, Black Color
- * Flammability Rating: UL94V-0
- * Contacts: 0.35 Phosphor Bronze Flash Gold
- * Dielectric Strength: 560 Volts/Mil. at 25°C for 5 Sec.
- * RoHS COMPLIANT



东莞市溪榜电子有限公司
DONG GUAN XI BANG ELECTRONICS CO., LTD.

PART NAME		XB-BC-18650-2P	
PROJECTIVE 	TOLERANCES [MM]	DRN BY	DATE
	DECIMAL [±0.20]	HYQ	2018 05 31
	ANGULAR ±0.50°	APPD	XGY
UNLESS OTHERWISE SPECIFIED			1X
DWG NO.		CODE	
		18650	