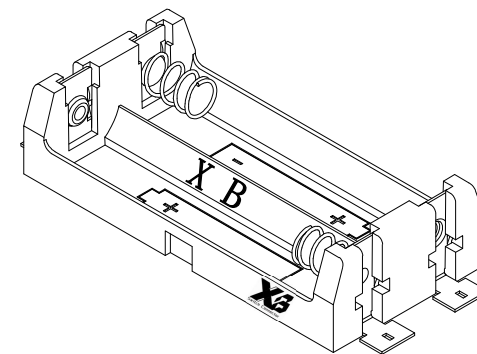
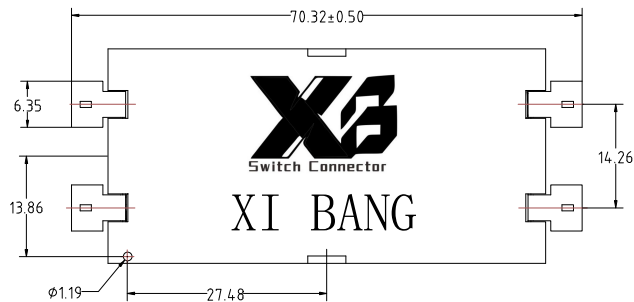
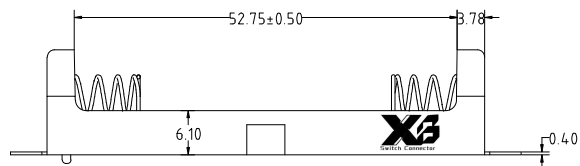


PCB LAYOUT



NOTE:

- × Type: Surface Mounted Device (SMT)
- × Base Material: High Temp Nylon+30%GF Black Color
- × Flammability Rating: UL94V-0
- × Contacts: 0.35mm Stainless Steel Temper, Flash Gold
- × Dielectric Strength: 560 Volts/Mil. at 25°C for 5 Sec.
- × RoHS COMPLIANT

**XB** 东莞市溪榜电子有限公司  
Switch Connector DONG GUAN XI BANG ELECTRONICS CO., LTD

PART NAME		THREE "AA" CELLS HOLDER WITH SM	
PROJECTIVE	TOLERANCES [ MM ]	DRN BY	DATE
	DECIMAL [ ±.10 ]	Gao. Peng	2022 10 31
	ANGULAR ±0.50°	APPD	SCALE
	UNLESS OTHERWISE SPECIFIED	Pang. Dong	1X
		DWG NO.	CODE
		XB-BC-PA-321-SMT	Spring