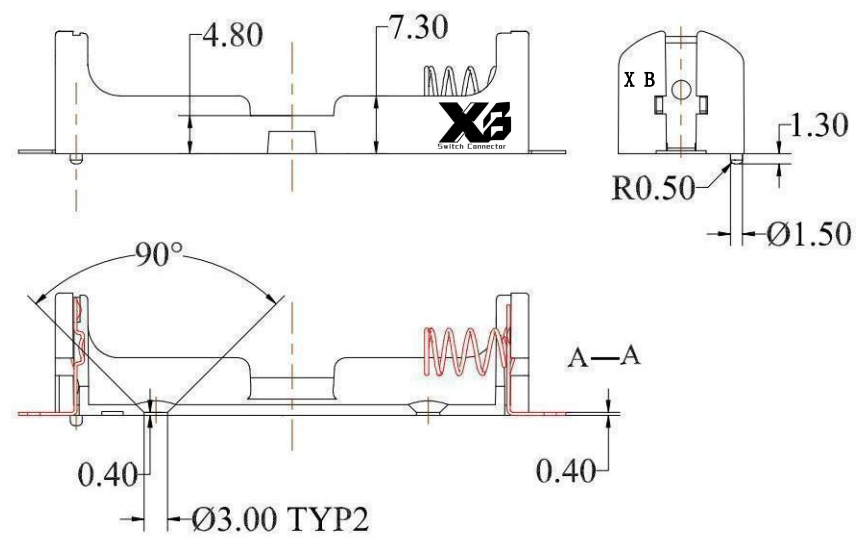


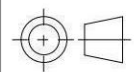
PCB LAYOUT



NOTE:

- * Type: Surface Mounted Device
- * Base Material: Nylon Resin, Black Color
- * Flammability Rating: UL94V-0
- * Contacts: 0.35 Phosphor Bronze Flash Gold
- * Dielectric Strength: 560 Volts/Mil. at 25°C for 5 Sec.
- * RoHS COMPLIANT

XB 东莞市溪榜电子有限公司
Switch Connector DONG GUAN XI BANG ELECTRONICS CO., LTD

PART NAME		ONE "AA" CELL HOLDER	
PROJECTIVE	TOLERANCES [MM]	DRN BY Gao. Peng	DATE 20230213
	DECIMAL [±.10]	APPD Pang. Dong	SCALE 1X
	ANGULAR ±0.50°	DWG NO. XB-BC-PA-312-SMT	CODE AA
	UNLESS OTHERWISE SPECIFIED		