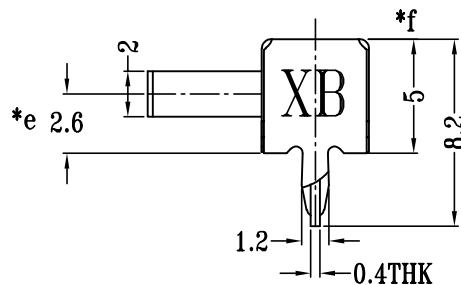
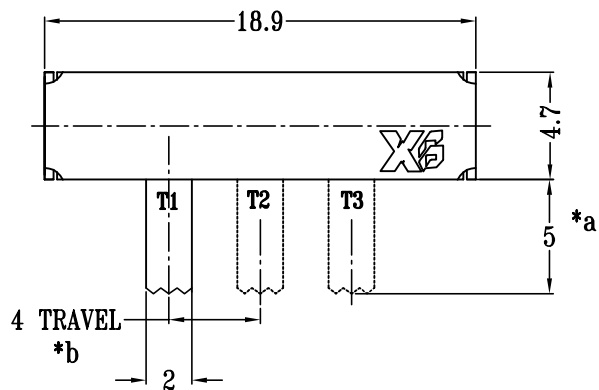
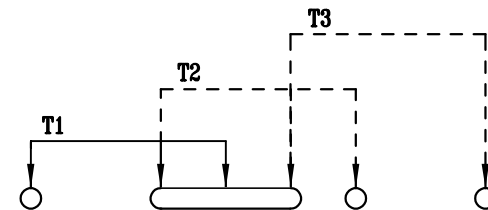


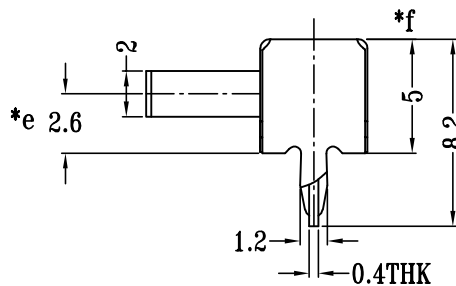
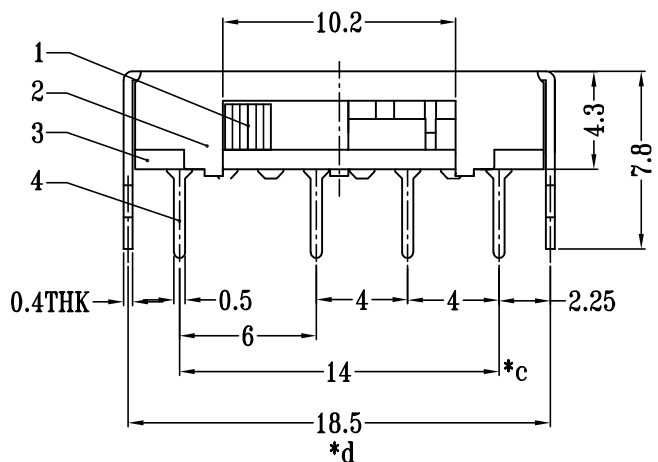
CAD FILE:



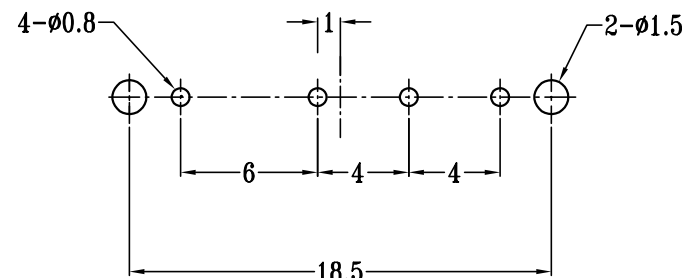
**XB唛**



SCHEMATIC(SHORTING)



**无唛**



P.C.B LAYOUT  
BOTTOM VIEW

注：“\*”表示关键尺寸（6个）

NO.	PARTS	MATERIALS	Q'TY	FINISH	TOLERANCE UNLESS SPECIFIED					
8										
7										
6	SPRING PLATE	SUS304	1	NATURAL	WITHIN 1.5mm : ±0.1mm	A	2023-05-18	初版		
5	CONTACT CLIP	C5210R	1	Ag CLAD	OVER 1.5mm : ±0.2mm	ISSUE	DATE	DESCRIPTIONS OF REVISION		APPD.
4	TERMINAL	C2680R	4	Ag PLATED	TITLE : HORIZONTAL SLIDE SWITCH		UNIT : mm	DRWG NO.: XB-SK-13H12X		
3	BASE	PHENOLIC RESIN	1	NATURAL	MODEL: XB-SK-13H12X 无唛高温金码		SCALE: 3:1	DWN.	高鹏	2024-7-8
2	FRAME	SPCC	1	Sn PLATED	<b>东莞市溪榜电子有限公司</b> DONG GUAN XI BANG ELECTRONICS CO., LTD.			CHK'D	庞东	2024-7-8
1	KNOB	PA66	1	BLACK				APPD.	贺龙飞	2024-7-8