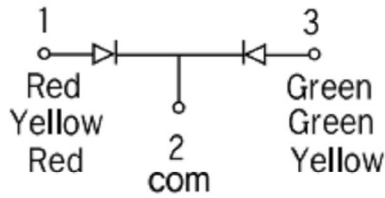
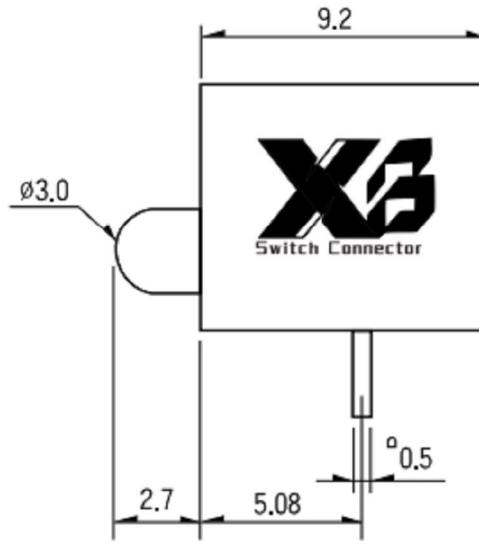
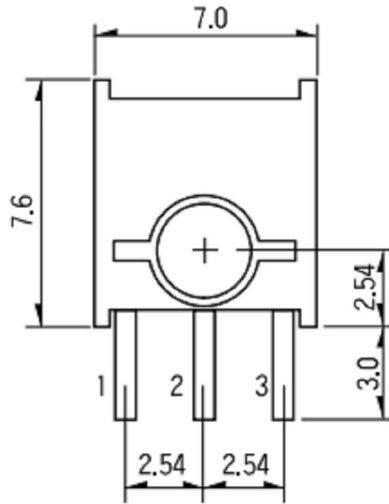
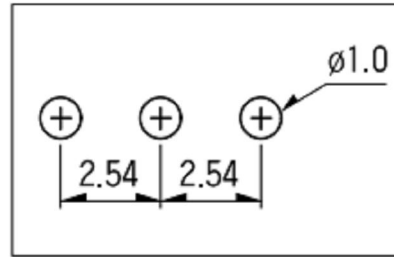


# ROHS



### P.C.B DIMENSION



Package	LED TYPE	Part No.	Chip		Lens Appearance	Absolute Maximum Ratings			Electro-optical Data(At 20mA)		Viewing Angle 2θ 1/2 (9deg)			
			Emitted Color	Peak Wav Length (nm)		ΔI (mV)	Pd (mW)	If (mA)	Vf (V)	Iv Typ. (mcd)				
High Efficiency	01	BL-B2141K	Green	568	Green Diffused	30	100	30	150	2.2	2.6	30.0	50	
		BL-B3141K	Yellow	585	Yellow Diffused	35	100	30	150	2.1	2.6	20.0	50	
		BL-B4114K	Amber	610	Amber Diffused	35	100	30	150	2.0	2.6	60.0	50	
		DL-D2141K	Bright Red	700	Red Diffused	90	50	15	50	2.2	2.6	10.0	50	
		BL-BB41Y1E	Super Blue	470	Blue Diffused	30	100	30	100	3.5	4.0	550	45	
		BL-B5141K-L	Hi-Eff Red	635	Red Diffused	45	15	7	-	1.7	2.2	4.5	50	
	Low Current	02	BL-B2141K-L	Green	568	Green Diffused	30	16	7	-	1.9	2.3	7.0	50
			BL-B3141K-L	Yellow	585	Yellow Diffused	35	15	7	-	1.8	2.2	3.5	50
			BR-B451K-05V	Hi-Eff Red	635	Red Diffused	-	-	8	-	-	-	-	15.5
		03	BR-B214K-05V	Green	568	Green Diffused	-	-	8	-	-	-	15.5	-
			BR-B314K-05V	Yellow	585	Yellow Diffused	-	-	8	-	-	-	14.0	-
			BR-B414K-05V	Orange	635	Orange Diffused	-	-	8	-	-	-	15.5	-
Integral Resistor 5V	07	BL-BE271E	Hi-Eff Red	635	White Diffused	45	100	30	150	2.0	2.6	25.0	45	
		BL-BE271E	Green	568	White Diffused	30	100	30	150	2.2	2.6	30.0	45	
		BL-BE271E	Yellow	585	White Diffused	35	100	30	150	2.1	2.6	20.0	45	
		BL-BE271E	Green	568	White Diffused	30	100	30	150	2.2	2.6	30.0	45	
1.0" Lead Flangeless 4.82	01	BL-B5133N	Bright Red	700	Red Diffused	90	50	15	50	2.2	2.6	50.0	40	
		BL-B2133N	Green	568	Green Diffused	30	100	30	150	2.2	2.6	65.0	40	
		BL-B3133N	Yellow	585	Yellow Diffused	35	100	30	150	2.1	2.6	50.0	40	
		BL-B5134N	Bright Red	700	Red Diffused	90	50	15	50	2.2	2.6	13.0	45	
		BL-B2134N	Green	568	Green Diffused	30	100	30	150	2.2	2.6	90.0	45	
		BL-B3134N	Yellow	585	Yellow Diffused	35	100	30	150	2.1	2.6	70.0	45	
	07	BL-BB41R4N	Super Blue	470	Blue Diffused	30	100	30	100	3.5	4.0	550	45	
		BL-BEG274N	Hi-Eff Red	635	White Diffused	45	100	30	150	2.0	2.6	45.0	45	
		BL-BY274N	Yellow	585	White Diffused	35	100	30	150	2.1	2.6	35.0	45	
		BL-BY274N	Green	568	White Diffused	30	100	30	150	2.2	2.6	50.0	45	
		BL-BY274N	Green	568	White Diffused	30	100	30	150	2.2	2.6	50.0	45	
		BL-BY274N	Green	568	White Diffused	30	100	30	150	2.2	2.6	50.0	45	
T-1 3/4 1.0" Lead Standard 5.0	07	BL-BEG204	Hi-Eff Red	635	White Diffused	45	100	30	150	2.0	2.6	35.0	40	
		BL-BEG204	Green	568	White Diffused	30	100	30	150	2.2	2.6	45.0	40	
		BL-BY204	Yellow	585	White Diffused	35	100	30	150	2.1	2.6	30.0	40	
		BL-BY204	Green	568	White Diffused	30	100	30	150	2.2	2.6	45.0	40	
2.0x5.0x7.0 1.0" Lead Rectangular	07	BL-PW7302B-R	Hi-Eff Red	635	Water Clear	45	100	30	150	2.0	2.6	4.0	80	
		BL-PW7302B-R	Green	568	Water Clear	30	100	30	150	2.2	2.6	4.5	80	

Measuring items	Symbol	Measuring conditions	Judgment criteria for failure
Forward voltage	V <sub>f</sub> (V)	I <sub>f</sub> =20mA	Over U'x1.2
Reverse current	I <sub>r</sub> (uA)	V <sub>r</sub> =5V	Over U'x2
Luminous intensity	I <sub>v</sub> (mcd)	I <sub>f</sub> =20mA	Below S'X0.5

MODEL	SRE-3510	SRE-3610	SRE-3710
LED Color	Red/Green	Yellow/Green	Red/Yellow
LED Spec	BL-BEG201	BL-BYG201	BL-BEY201

	<h2>东莞市溪榜电子有限公司</h2> <h3>DONG GUAN XI BANG ELECTRONICS CO., LTD</h3>										
	TITLE : XB LED模块系列 XB LED MODULE Series		MODEL : XB-SRE-3x10								
UNIT : MM	DWN.	ZENQ. CHEN	DATE	2024-4-8		TOLERANCE <=1.5mm ±0.1 >1.5mm ±0.2 >=10mm ±0.3	ANGLE TOL ±2°	2	TERMINAL	PBS STRIP	3
SCALE : 7 : 1	CHK'D	DONG. PANG	DATE	2024-4-8	1			CASE	PBT	1	BLACK
VERSION	01	APPD.	FEI. LONG. HE	DATE	2024-4-8			NO.	PART NAME	MATERIAL	QTY