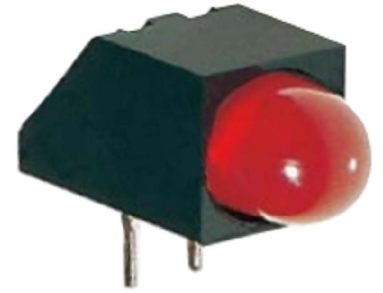
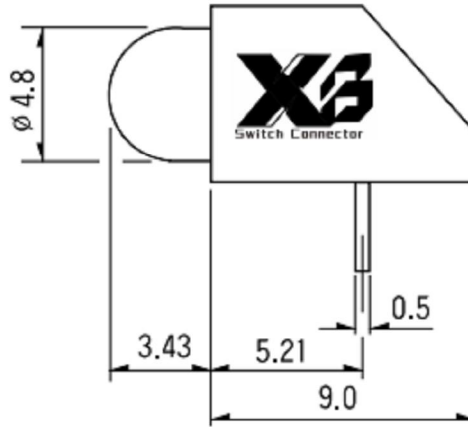
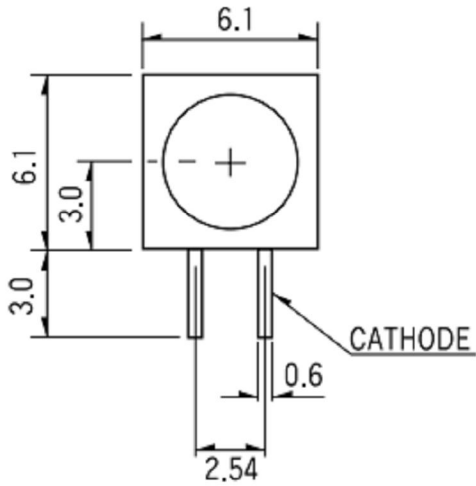
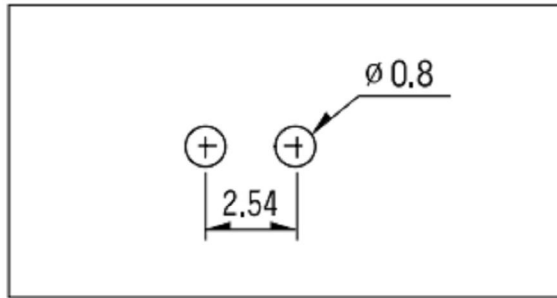


ROHS



P.C.B DIMENSION



* Reverse Cathode Left : SEO-0 X 06G
Housing Color : Gray

Package	LED TYPE	Part No.	Chip		Lens		Absolute Maximum Ratings		Electro-optical Data(At 20mA)		Viewing Angle 2θ 1/2 (99)			
			Emitted Color	Peak Wav Length (nm)	Appearance	ΔI (mV)	Pd (mW)	If (mA)	Vf (V)	Iv Typ. (mcd)				
High Efficiency	01	BL-B2141K	Green	568	Green Diffused	30	100	30	150	2.2	2.6	30.0	50	
		BL-B3141K	Yellow	585	Yellow Diffused	35	100	30	150	2.1	2.6	20.0	50	
		BL-B4141K	Amber	610	Amber Diffused	35	100	30	150	2.0	2.6	60.0	50	
		DL-D2141K	Bright Red	700	Red Diffused	90	50	15	50	2.2	2.6	10.0	50	
	02	BL-BB41Y1E	Super Blue	470	Blue Diffused	30	100	30	100	3.5	4.0	550	45	
		BL-B5141K-L	Hi-Eff Red	635	Red Diffused	45	15	7	-	1.7	2.2	4.5	50	
		BL-B2141K-L	Green	568	Green Diffused	30	16	7	-	1.9	2.3	7.0	50	
		BL-B3141K-L	Yellow	585	Yellow Diffused	35	15	7	-	1.8	2.2	3.5	50	
	Integral Resistor 5V	03	BR-B2141K-05V	Green	568	Green Diffused	-	-	8	-	5	-	15.5	-
			BR-B3141K-05V	Yellow	585	Yellow Diffused	-	-	8	-	5	-	14.0	-
			BR-B4141K-05V	Orange	635	Orange Diffused	-	-	8	-	5	-	15.5	-
	Bi-color	07	BL-BE271E	Hi-Eff Red	635	White Diffused	45	100	30	150	2.0	2.6	25.0	45
BL-BY271E			Green	568	White Diffused	35	100	30	150	2.1	2.6	20.0	45	
1.0" Lead Flangeless	4.8	01	BL-B5133N	Bright Red	700	Red Diffused	90	50	15	50	2.2	2.6	50.0	40
			BL-B2133N	Green	568	Green Diffused	30	100	30	150	2.2	2.6	65.0	40
		BL-B3133N	Yellow	585	Yellow Diffused	35	100	30	150	2.1	2.6	50.0	40	
		BL-B4133N	Bright Red	700	Red Diffused	90	50	15	50	2.2	2.6	13.0	45	
	01	BL-B2134N	Green	568	Green Diffused	30	100	30	150	2.2	2.6	90.0	45	
		BL-B3134N	Yellow	585	Yellow Diffused	35	100	30	150	2.1	2.6	70.0	45	
		BL-BB41R4N	Super Blue	470	Blue Diffused	30	100	30	100	3.5	4.0	550	45	
		BL-BE274N	Hi-Eff Red	635	White Diffused	45	100	30	150	2.0	2.6	45.0	45	
	07	BL-BY274N	Green	568	White Diffused	35	100	30	150	2.1	2.6	35.0	45	
		BL-BY274N	Green	568	White Diffused	30	100	30	150	2.2	2.6	50.0	45	
		BL-BY274N	Green	568	White Diffused	30	100	30	150	2.2	2.6	50.0	45	
		BL-BY274N	Green	568	White Diffused	30	100	30	150	2.2	2.6	50.0	45	
T-1 3/4 1.0" Lead Standard	5	01	BL-BEG204	Hi-Eff Red	635	White Diffused	45	100	30	150	2.0	2.6	35.0	40
			BL-BY204	Green	568	White Diffused	30	100	30	150	2.2	2.6	45.0	40
		BL-BY204	Yellow	585	White Diffused	35	100	30	150	2.1	2.6	30.0	40	
2.0x5.0x7.0 1.0" Lead Rectangular	5	01	BL-BY204	Green	568	White Diffused	30	100	30	150	2.2	2.6	45.0	40
			BL-BY204	Green	568	White Diffused	30	100	30	150	2.2	2.6	45.0	40
2.0x5.0x7.0 1.0" Lead Rectangular	5	01	BL-BY202B-R	Hi-Eff Red	635	Water Clear	45	100	30	150	2.0	2.6	4.0	80
			BL-BY202B-R	Green	568	Water Clear	30	100	30	150	2.2	2.6	4.5	80

Measuring items	Symbol	Measuring conditions	Judgment criteria for failure
Forward voltage	V _f (V)	I _f =20mA	Over U'x1.2
Reverse current	I _r (uA)	V _r =5V	Over U'x2
Luminous intensity	I _v (mcd)	I _f =20mA	Below S'X0.5

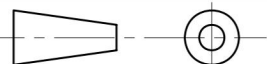
MODEL	SEO-0206	SEO-0306	SEO-0406
LED Color	Green	Yellow	Red
LED Spec	BL-B2133N	BL-B3133N	BL-B5133N



东莞市溪榜电子有限公司
DONG GUAN XI BANG ELECTRONICS CO., LTD

TITLE : XB LED模块系列 XB LED MODULE Series

MODEL : XB-SEO-0x06



TOLERANCE
<=1.5mm ±0.1
>1.5mm ±0.2
>=10mm ±0.3

ANGLE TOL
±2°

UNIT	MM	DWN.	ZENQ. CHEN	DATE	2024-4-8
SCALE	7 : 1	CHK'D	DONG. PANG	DATE	2024-4-8
VERSION	01	APPD.	FEI. LONG. HE	DATE	2024-4-8

NO.	TERMINAL	PBS STRIP	3	Au PLATED
	CASE	PBT	1	BLACK
	PART NAME	MATERIAL	QTY	FINISHING