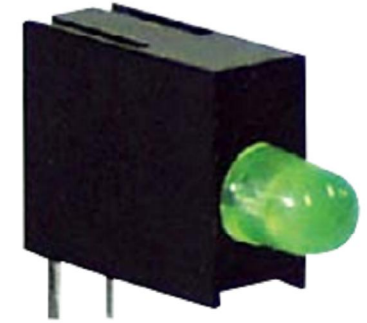
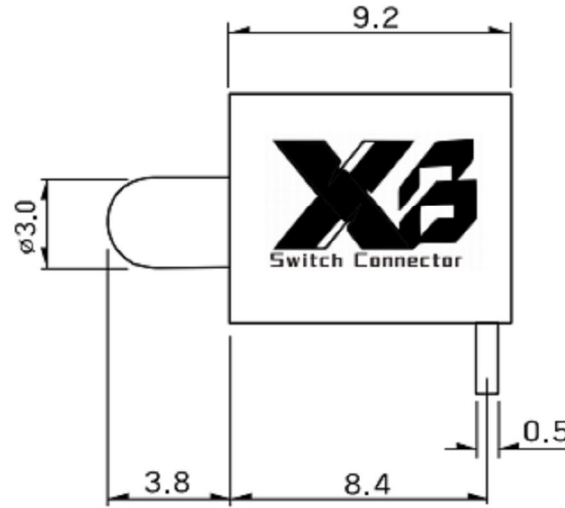
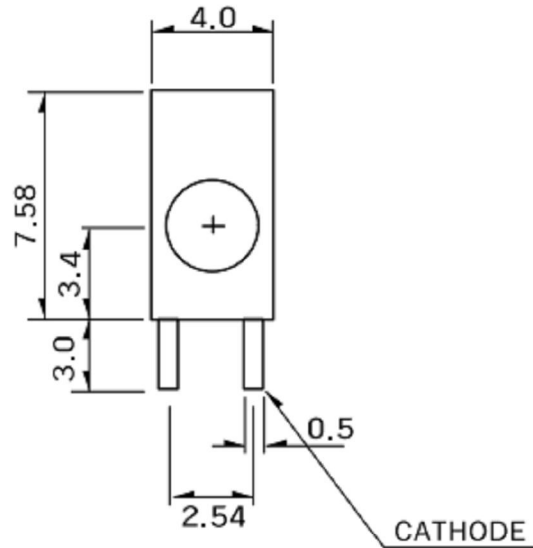
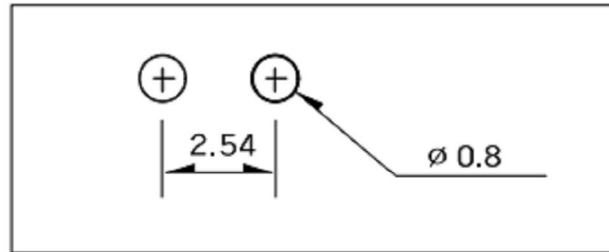


ROHS



P.C.B DIMENSION



* Reverse Cathode Left : SEG-030[X]G
Housing Color : Gray

Package	LED TYPE	Part No.	Chip		Lens		Absolute Maximum Ratings		Electro-optical Data(At 20mA)		Viewing Angle 2θ (1/2°)					
			Emitted Color	Peak Wavelength (nm)	Appearance	Δλ (nm)	Pd (mW)	If Peak (mA)	Vf (V)	Iv Typ. (mcd)						
High Efficiency	01	BL-B2141K	Green	568	Green Diffused	30	100	30	150	2.2	2.6	30.0	50			
		BL-B3141K	Yellow	585	Yellow Diffused	35	100	30	150	2.1	2.6	20.0	50			
		BL-BA1141K	Amber	610	Amber Diffused	35	100	30	150	2.0	2.6	60.0	50			
		BL-DB1141K	Bright Red	700	Red Diffused	90	50	15	50	2.2	2.6	10.0	50			
	Low Current	02	BL-B5141K-L	Super Blue	470	Blue Diffused	30	100	30	100	3.5	4.0	550	45		
			BL-B5141K-L	Hi-Eff Red	635	Red Diffused	45	15	7	-	1.7	2.2	4.5	50		
		03	BR-B4541K-05V	Green	568	Green Diffused	30	16	7	-	1.0	2.3	7.0	50		
			BR-B3141K-05V	Yellow	585	Yellow Diffused	35	15	7	-	1.8	2.2	3.5	50		
		Integral Resistor 5V	03	BR-B2141K-05V	Hi-Eff Red	635	Red Diffused	-	-	8	-	5	-	15.5	-	
				BR-B3141K-05V	Green	568	Green Diffused	-	-	8	-	5	-	15.5	-	
			07	BR-B4141K-05V	Yellow	585	Yellow Diffused	-	-	8	-	5	-	14.0	-	
				BR-B4141K-05V	Orange	635	Orange Diffused	-	-	8	-	5	-	15.5	-	
				BL-BEX271E	Hi-Eff Red	635	White Diffused	45	100	30	150	2.0	2.6	25.0	45	
				BL-BYX271E	Green	568	White Diffused	30	100	30	150	2.2	2.6	30.0	45	
1.0" Lead Flangeless 4.82	01	BL-B5133N	Bright Red	700	Red Diffused	90	50	15	50	2.2	2.6	50.0	40			
		BL-B2133N	Green	568	Green Diffused	30	100	30	150	2.2	2.6	65.0	40			
	T-1 3/4 1.0" Lead Flangeless 5.0	01	BL-B3133N	Yellow	585	Yellow Diffused	35	100	30	150	2.1	2.6	50.0	40		
			BL-B5134N	Bright Red	700	Red Diffused	90	50	15	50	2.2	2.6	13.0	45		
		07	BL-B2134N	Green	568	Green Diffused	30	100	30	150	2.2	2.6	90.0	45		
			BL-B3134N	Yellow	585	Yellow Diffused	35	100	30	150	2.1	2.6	70.0	45		
			BL-BB414RAN	Super Blue	470	Blue Diffused	30	100	30	100	3.5	4.0	550	45		
			BL-BEG274N	Hi-Eff Red	635	White Diffused	45	100	30	150	2.0	2.6	45.0	45		
			07	BL-BY274N	Green	568	White Diffused	30	100	30	150	2.2	2.6	50.0	45	
				BL-BY274N	Yellow	585	White Diffused	35	100	30	150	2.1	2.6	35.0	45	
			T-1 3/4 1.0" Lead Standard 5.0	07	BL-BEG204	Hi-Eff Red	635	White Diffused	45	100	30	150	2.0	2.6	35.0	40
					BL-BY204	Green	568	White Diffused	30	100	30	150	2.2	2.6	45.0	40
07	BL-BY204	Yellow		585	White Diffused	35	100	30	150	2.1	2.6	30.0	40			
	BL-BY204	Green		568	White Diffused	30	100	30	150	2.2	2.6	45.0	40			
2.0x5.0x7.0 1.0" Lead Rectangular	07	BL-BW7302B-R	Hi-Eff Red	635	Water Clear	45	100	30	150	2.0	2.6	4.0	80			

Model	SEG-0302B	SEG-0303B	SEG-0301B	SEG-0304B	SEG-0315B	SEG-0305B	SEG-0306B	SEG-0307B	SEG-0308B	SEG-0309B	SEG-0310B	SEG-3007B	SEG-3107B
LED COLOR	Green	Yellow	Red	Amber	Blue	Red (5V)	Green (5V)	Yellow (5V)	Red (Low)	Yellow (Low)	Green (Low)	Red / Green	Yellow / Green
LED SPEC	BL-B2141K	BL-B3141K	BL-B5141K	BL-BA1141K	BL-BB41141E	BR-B4541K-05V	BR-B2141K-05V	BR-B3141K-05V	BL-B5141K-L	BL-B3141K-L	BL-B2141K-L	BL-BEX271E	BL-BYX271E

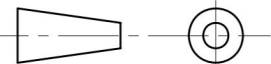
Measuring items	Symbol	Measuring conditions	Judgment criteria for failure
Forward voltage	V _f (V)	I _f =20mA	Over U'x1.2
Reverse current	I _r (uA)	V _r =5V	Over U'x2
Luminous intensity	I _v (mcd)	I _f =20mA	Below S'X0.5



东莞市溪榜电子有限公司
DONG GUAN XI BANG ELECTRONICS CO., LTD

TITLE : XB LED模块系列 XB LED MODULE Series

MODEL : XB-SEG-030xB



UNIT : MM	DWN.	ZENQ. CHEN	DATE	2024-4-8	
SCALE : 7 : 1	CHK'D	DONG. PANG	DATE	2024-4-8	
VERSION	01	APPD.	FEI. LONG. HE	DATE	2024-4-8

TOLERANCE	ANGLE TOL
<=1.5mm ±0.1	±2°
>1.5mm ±0.2	
>=10mm ±0.3	

2	TERMINAL	PBS STRIP	3	Au PLATED
1	CASE	PBT	1	BLACK
NO.	PART NAME	MATERIAL	QTY	FINISHING