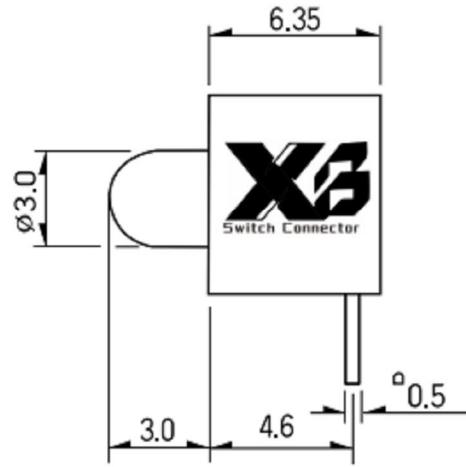
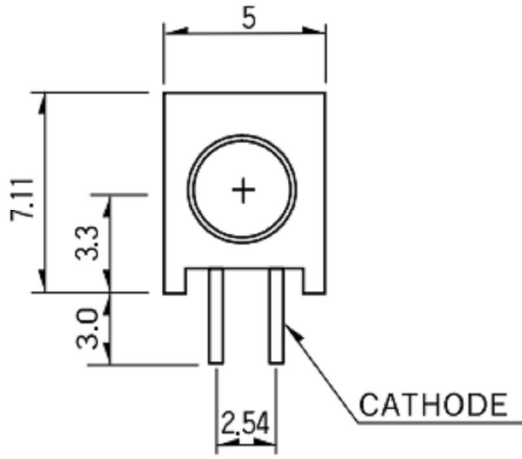
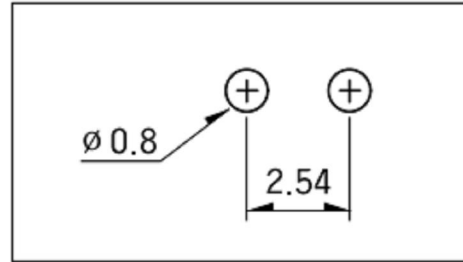


ROHS



P.C.B DIMENSION



* Reverse Cathode Left : SEF-0X05G
Housing Color : Gray

Package	LED TYPE	Part No.	Chip		Lens		Absolute Maximum Ratings		Electro-optical Data(At 20mA)		Viewing Angle 2θ (99)			
			Emitted Color	Peak Wav Length (nm)	Appearance	ΔI (mV)	Pd (mW)	If Peak (mA)	Vf(V)	Iv Typ. (mcd)				
High Efficiency	01	BL-B2141K	Green	568	Green Diffused	30	100	30	150	2.2	2.6	30.0	50	
		BL-B3141K	Yellow	585	Yellow Diffused	35	100	30	150	2.1	2.6	20.0	50	
		BL-BA1141K	Amber	610	Amber Diffused	35	100	30	150	2.0	2.6	60.0	50	
		DL-D2141K	Bright Red	700	Red Diffused	90	50	15	50	2.2	2.6	10.0	50	
		BL-BB41V1E	Super Blue	470	Blue Diffused	30	100	30	100	3.5	4.0	550	45	
		BL-B5141K-L	Hi-Eff Red	635	Red Diffused	45	15	7	-	1.7	2.2	4.5	50	
	Low Current	02	BL-B2141K-L	Green	568	Green Diffused	30	16	7	-	1.0	2.3	7.0	50
			BL-B3141K-L	Yellow	585	Yellow Diffused	35	15	7	-	1.8	2.2	3.5	50
			BR-B4541K-05V	Hi-Eff Red	635	Red Diffused	-	-	8	-	5	-	15.5	-
		03	BR-B2141K-05V	Green	568	Green Diffused	-	-	8	-	5	-	15.5	-
			BR-B3141K-05V	Yellow	585	Yellow Diffused	-	-	8	-	5	-	14.0	-
			BR-B4141K-05V	Orange	635	Orange Diffused	-	-	8	-	5	-	15.5	-
Integral Resistor 5V	03	BL-BE2141K-05V	Green	568	White Diffused	45	100	30	150	2.0	2.6	25.0	45	
		BL-BE2141K-05V	Green	568	White Diffused	30	100	30	150	2.2	2.6	30.0	45	
		BL-BE2141K-05V	Yellow	585	White Diffused	35	100	30	150	2.1	2.6	20.0	45	
		BL-BE2141K-05V	Green	568	White Diffused	30	100	30	150	2.2	2.6	30.0	45	
Bi-color	07	BL-BE2141K-05V	Hi-Eff Red	635	White Diffused	45	100	30	150	2.0	2.6	25.0	45	
		BL-BE2141K-05V	Green	568	White Diffused	30	100	30	150	2.2	2.6	30.0	45	
1.0' Lead Flangeless	01	BL-B5133N	Bright Red	700	Red Diffused	90	50	15	50	2.2	2.6	50.0	40	
		BL-B2133N	Green	568	Green Diffused	30	100	30	150	2.2	2.6	65.0	40	
		BL-B3133N	Yellow	585	Yellow Diffused	35	100	30	150	2.1	2.6	50.0	40	
		BL-B5134N	Bright Red	700	Red Diffused	90	50	15	50	2.2	2.6	13.0	45	
		BL-B2134N	Green	568	Green Diffused	30	100	30	150	2.2	2.6	90.0	45	
		BL-B3134N	Yellow	585	Yellow Diffused	35	100	30	150	2.1	2.6	70.0	45	
	T-1 3/4 1.0' Lead Flangeless 5φ	01	BL-BB41R4N	Super Blue	470	Blue Diffused	30	100	30	100	3.5	4.0	550	45
			BL-BE2141K-05V	Hi-Eff Red	635	White Diffused	45	100	30	150	2.0	2.6	45.0	45
			BL-BE2141K-05V	Green	568	White Diffused	30	100	30	150	2.2	2.6	50.0	45
		07	BL-BE2141K-05V	Yellow	585	White Diffused	35	100	30	150	2.1	2.6	35.0	45
			BL-BE2141K-05V	Green	568	White Diffused	30	100	30	150	2.2	2.6	50.0	45
			BL-BE2141K-05V	Green	568	White Diffused	30	100	30	150	2.2	2.6	50.0	45
T-1 3/4 1.0' Lead Standard 5φ	01	BL-BE2141K-05V	Hi-Eff Red	635	White Diffused	45	100	30	150	2.0	2.6	35.0	40	
		BL-BE2141K-05V	Green	568	White Diffused	30	100	30	150	2.2	2.6	45.0	40	
		BL-BE2141K-05V	Yellow	585	White Diffused	35	100	30	150	2.1	2.6	30.0	40	
		BL-BE2141K-05V	Green	568	White Diffused	30	100	30	150	2.2	2.6	45.0	40	
2.0x5.0x7.0 1.0' Lead Rectangular	01	BL-BE2141K-05V	Hi-Eff Red	635	Water Clear	45	100	30	150	2.0	2.6	4.0	80	
		BL-BE2141K-05V	Green	568	Water Clear	30	100	30	150	2.2	2.6	4.5	80	

Model	SEF-0205	SEF-0305	SEF-0405	SEF-2505	SEF-0505	SEF-0605	SEF-0705	SEF-0805	SEF-1105	SEF-1205	SEF-1305	SEF-3005	SEF-3105
LED COLOR	Green	Yellow	Red	Amber	Red (5V)	Green (5V)	Yellow (5V)	Blue	Red (Low)	Yellow (Low)	Green (Low)	Red / Green	Yellow / Green
LED SPEC	BL-B2141K	BL-B3141K	BL-B5141K	BL-BA1141K	BR-B4541K-05V	BR-B2141K-05V	BR-B3141K-05V	BL-BB41V1E	BL-B5141K-L	BL-B3141K-L	BL-B2141K-L	BL-BE2141K	BL-BY2141K

Measuring items	Symbol	Measuring conditions	Judgment criteria for failure
Forward voltage	V _f (V)	I _f =20mA	Over U'x1.2
Reverse current	I _r (uA)	V _r =5V	Over U'x2
Luminous intensity	I _v (mcd)	I _f =20mA	Below S'X0.5

	<h2>东莞市溪榜电子有限公司</h2> <h3>DONG GUAN XI BANG ELECTRONICS CO., LTD</h3>										
	TITLE : XB LED模块系列 XB LED MODULE Series MODEL : XB-SEF-0x05										
UNIT : MM	DWN.	ZENQ. CHEN	DATE	2024-4-8	TOLERANCE <=1.5mm ±0.1 >1.5mm ±0.2 >=10mm ±0.3	ANGLE TOL ±2°					
SCALE : 7 : 1	CHK'D	DONG. PANG	DATE	2024-4-8			2	TERMINAL	PBS STRIP	3	Au PLATED
VERSION	01	APPD.	FEI. LONG. HE	DATE			2024-4-8	1	CASE	PBT	1
							NO.	PART NAME	MATERIAL	QTY	FINISHING