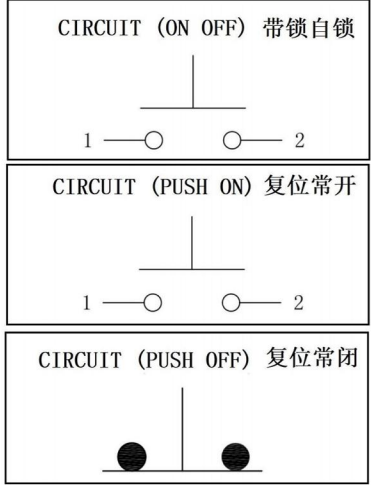
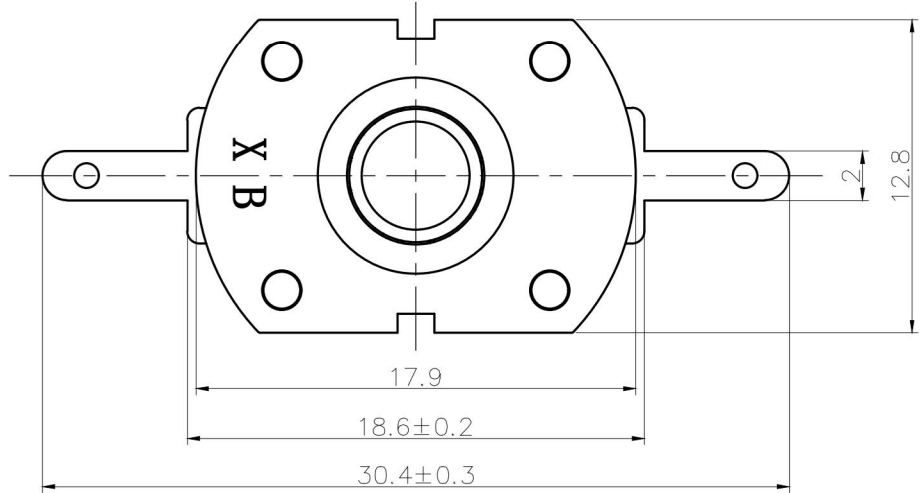
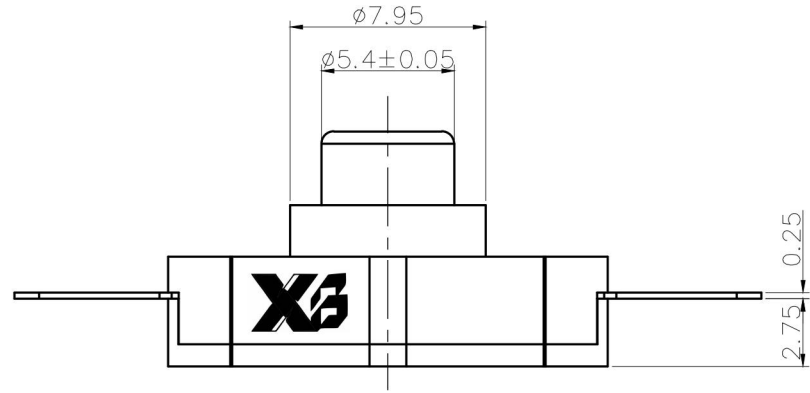
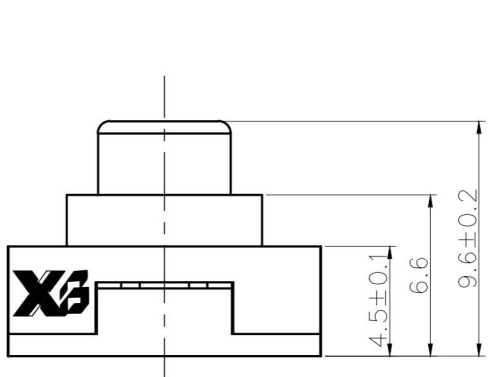


ROHS

SCHEMATIC



电气原理图



MATERIAL:
 Actuator: SUS ;
 Top Base: SUS;
 Buttom Base:PA66+GF ;
 Terminal: Brass,Silver plated ;
 Nut: Brass, Ni plated .

- 技术要求:
1. 额定负荷: 1A 250V AC 1E4;
 2. 接触电阻: ≤ 100mΩ;
 3. 绝缘电阻: ≥ 100MΩ;
 4. 介电强度: 500VAC/1min;
 5. 操作力: 700 ± 100g;
 6. 环境温度: -25℃ ~ 85℃;
 7. 未标注公差按以下执行:

$x. \pm 0.30 \quad .x \pm 0.20 \quad .xx \pm 0.10 \quad \angle \pm 2^\circ$

The material contained in this drawing is the property of XiBang. Any use other than that specifically authorized by XiBang is prohibited. The above drawing IS subjected to change for improvement without prior notice.

		东莞市溪榜电子有限公司 DONG GUAN XI BANG ELECTRONICS CO.,LTD									
		TITLE : PUHS BUTTON SWITCH		MODEL : XB-YT-1803L-FW							
UNIT : MM	DWN.	ZENQ. CHEN	DATE		TOLERANCE <=1.5mm±0.1 > 1.5mm±0.2 >=10mm±0.3	ANGLE ±2°	7	SPRING	STEEL WIRE	1	NATURE
SCALE : 3 : 1	CHK'D	PENG. GAO	DATE				6	STEEL BALL	STEEL	1	NATURE
VBRSION	01	APPD.	FEI. LONG. HE	DATE			5	BOARD	PHENOLIC RESIN	1	NATURE
							4	CONTACT CLIP	PBS STRIP	2	Ag PLATED
							3	FRAME	IRON STRIP	1	Ni PLATED
							2	TERMINAL	BRASS STRIP	8	Ag PLATED
							1	KNOB	POM	1	BLACK
							NO.	PART NAME	MATERIAL	QTY.	FINISHING