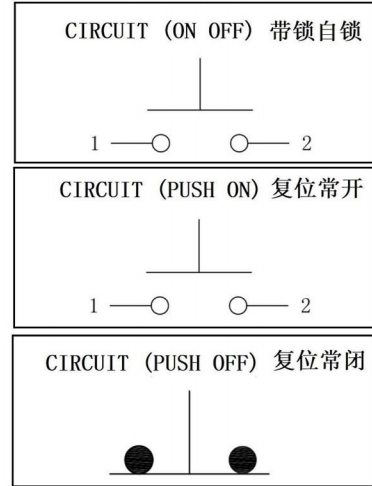
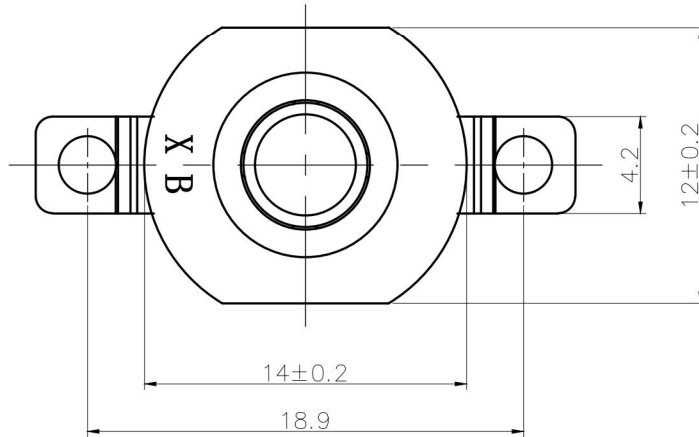
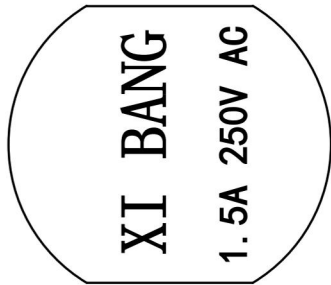


SCHEMATIC



电气原理图

字唛图




技术要求:

1. 额定负荷: 1.5A 250V AC 1E4;
2. 接触电阻: ≤100mΩ;
3. 绝缘电阻: ≥100MΩ;
4. 介电强度: 500VAC/1min;
5. 操作力: 700 ± 200g;
6. 环境温度: -25℃ ~ 85℃;
7. 未标注公差按以下执行:
 $x. \pm 0.30$. $x \pm 0.20$. $xx \pm 0.10$ $\angle \pm 2^\circ$.

MATERIAL:

- Actuator: SUS ;
- Top Base: SUS;
- Buttom Base: PA66+GF ;
- Terminal: Brass, Silver plated ;
- Nut: Brass, Ni plated .

The material contained in this drawing is the property of XiBang. Any use other than that specifically authorized by XiBang is prohibited. The above drawing IS subjected to change for improvement without prior notice.

 东莞市溪榜电子有限公司 DONG GUAN XI BANG ELECTRONICS CO., LTD										
					TITLE : PUHS BUTTON SWITCH		TOLERANCE		ANGLE	
MODEL : XB-YT-1401-FW					$\leq 1.5\text{mm} \pm 0.1$ $> 1.5\text{mm} \pm 0.2$ $> 10\text{mm} \pm 0.3$		$\pm 2^\circ$			
UNIT : MM	DWN.	ZENQ. CHEN	DATE							
SCALE : 3 : 1	CHK'D	PENG. GAO	DATE							
VBRSION	01	APPD.	FEI. LONG. HE	DATE						
					NO.		PART NAME		MATERIAL	
					7		SPRING		STEEL WIRE	
					6		STEEL BALL		STEEL	
					5		BOARD		PHENOLIC RESIN	
					4		CONTACT CLIP		PBS STRIP	
					3		FRAME		IRON STRIP	
					2		TERMINAL		BRASS STRIP	
					1		KNOB		POM	
					NO.		PART NAME		MATERIAL	
					1		NATURE		QTY.	
					1		NATURE		FINISHING	
					1		NATURE			
					8		Ag PLATED			
					1		Ni PLATED			
					8		Ag PLATED			
					1		BLACK			