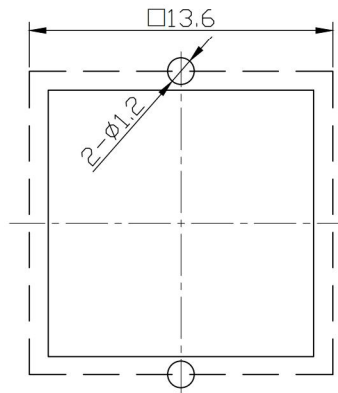
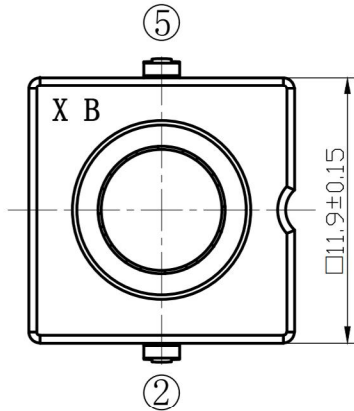
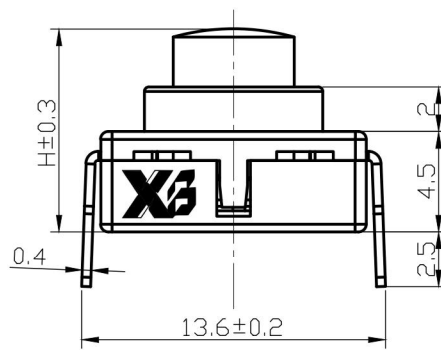
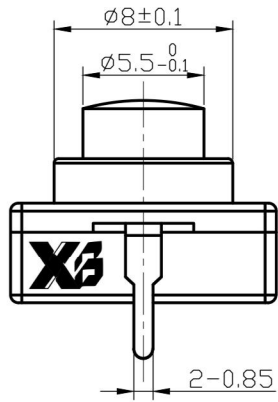
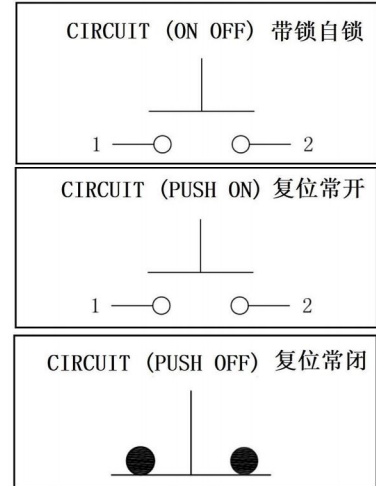


H尺寸
9.1
9.5
10
10.5
11.5
12.5
13.5
14.5
16
18



PCB板位置图

SCHEMATIC



电气原理图


技术要求:

1. 电气性能
 额定电流/电压: 1A/250VAC;
 接触电阻: $\leq 100m\Omega$;
 绝缘电阻: $\geq 100M\Omega$;
 介电强度: $\geq 500VAC/1min$;
2. 环境温度: $-25^{\circ}C \sim 75^{\circ}C$;
3. 相对湿度: $\leq 95\%$ ($40^{\circ}C$);
4. 操作力: $800 \pm 200g$;
5. 未注公差均按GB / T1804-m级。

MATERIAL:

- Actuator: SUS ;
- Top Base: SUS;
- Buttom Base: PA66+GF ;
- Terminal: Brass, Silver plated ;
- Nut: Brass, Ni plated .

The material contained in this drawing is the property of XiBang. Any use other than that specifically authorized by XiBang is prohibited. The above drawing IS subjected to change for improvement without prior notice.

					东莞市溪榜电子有限公司 DONG GUAN XI BANG ELECTRONICS CO., LTD				
					TITLE : PUHS BUTTON SWITCH				
MODEL : XB-YT-1212D-FW					ANGLE $\pm 2^{\circ}$				
UNIT : MM	DWN.	ZENQ. CHEN	DATE						
SCALE : 3 : 1	CHK'D	PENG. GAO	DATE						
VBRSION	01	APPD.	FEI. LONG. HE	DATE					
				7 SPRING		STEEL WIRE		1 NATURE	
				6 STEEL BALL		STEEL		1 NATURE	
				5 BOARD		PHENOLIC RESIN		1 NATURE	
				4 CONTACT CLIP		PBS STRIP		2 Ag PLATED	
				3 FRAME		IRON STRIP		1 Ni PLATED	
				2 TERMINAL		BRASS STRIP		8 Ag PLATED	
				1 KNOB		POM		1 BLACK	
				NO.		PART NAME		MATERIAL	
								QTY.	
								FINISHING	