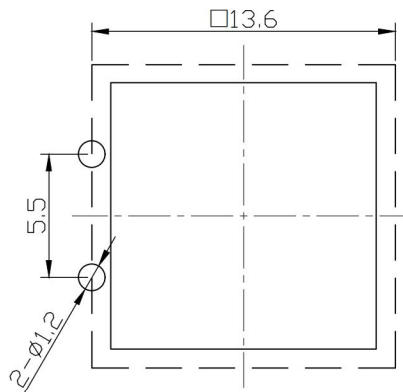
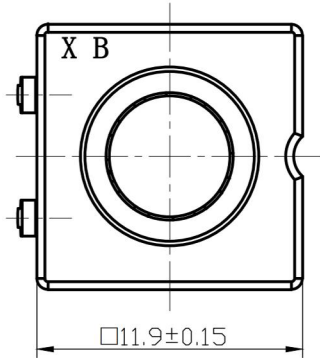
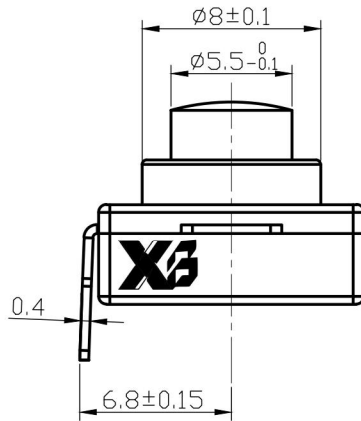
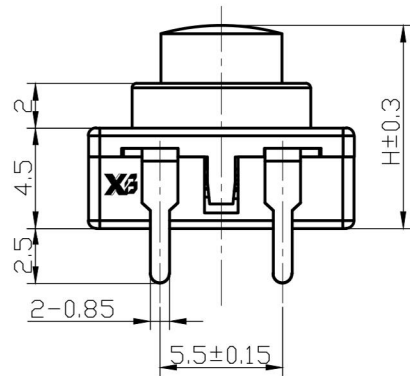


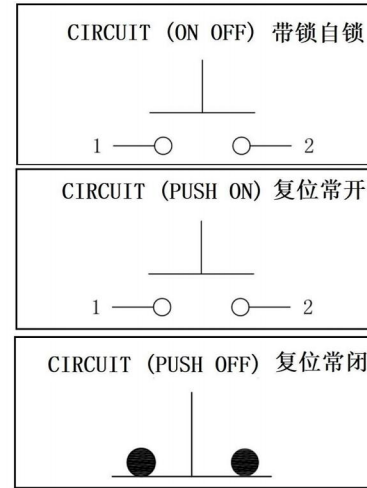
# ROHS

高度尺寸
H 尺寸
9.1
9.5
10
10.5
11.5
12.5
13.5
14.5
16
18



PCB板位置图

### SCHEMATIC



电气原理图



### MATERIAL:

- Actuator: SUS ;
- Top Base: SUS;
- Bottom Base: PA66+GF ;
- Terminal: Brass, Silver plated ;
- Nut: Brass, Ni plated .

### 技术要求:

1. 电气性能  
 额定负荷: 1A 250V AC 1E4;  
 接触电阻: ≤100mΩ ;  
 绝缘电阻: ≥100MΩ ;  
 介电强度: ≥500VAC/1min;
2. 环境温度: -25℃~75℃;
3. 相对湿度: ≤95% (40℃) ;
4. 操作力: 800±200g;
5. 未注公差均按GB / T1804-m级。

The material contained in this drawing is the property of XiBang. Any use other than that specifically authorized by XiBang is prohibited. The above drawing is subjected to change for improvement without prior notice.

 Switch Connector	<b>东莞市溪榜电子有限公司</b> DONG GUAN XI BANG ELECTRONICS CO., LTD									
	TITLE : PUHS BUTTON SWITCH		MODEL : XB-PBS-01S-F		 TOLERANCE ≤1.5mm±0.1 > 1.5mm±0.2 >=10mm±0.3	ANGLE ±2°				
	UNIT : MM	DWN.	ZENQ. CHEN	DATE			7	SPRING	STEEL WIRE	1
SCALE : 3 : 1	CHK'D	PENG. GAO	DATE	6			STEEL BALL	STEEL	1	NATURE
VBRSION	01	APPD.	FEI. LONG. HE	DATE	5	BOARD	PHENOLIC RESIN	1	NATURE	
					4	CONTACT CLIP	PBS STRIP	2	Ag PLATED	
					3	FRAME	IRON STRIP	1	Ni PLATED	
					2	TERMINAL	BRASS STRIP	8	Ag PLATED	
					1	KNOB	POM	1	BLACK	
					NO.	PART NAME	MATERIAL	QTY	FINISHING	