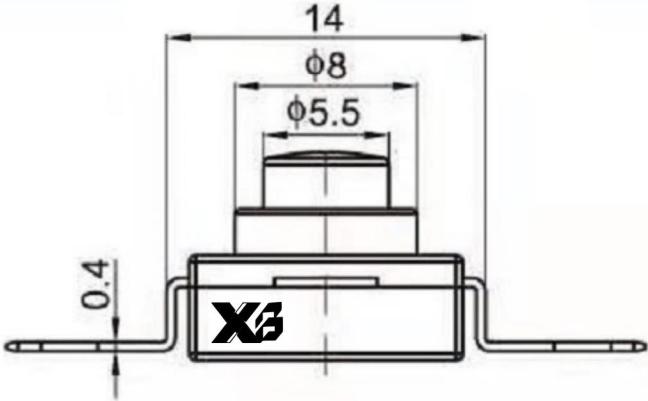
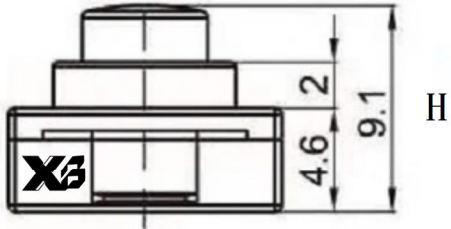
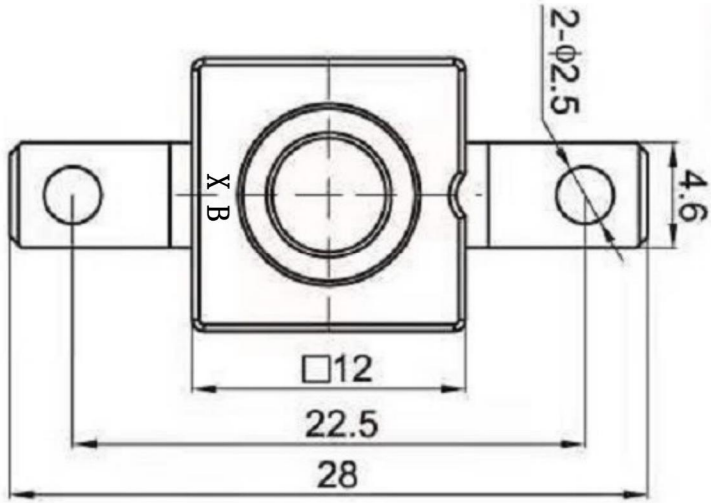
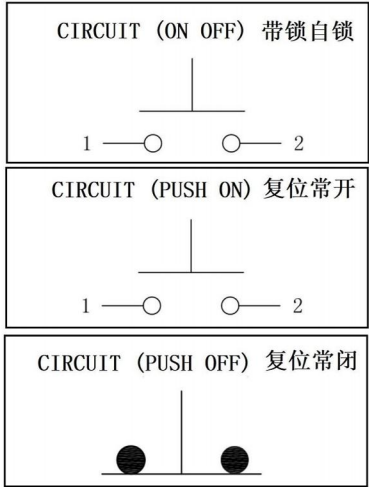


尺寸
9.1
9.5
10
10.5
11.5
12.5
13.5
14.5
16
18



SCHEMATIC




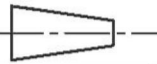

电气原理图

技术要求:

1. 电气性能
 额定电流/电压: 1A/250VAC;
 接触电阻: ≤100mΩ;
 绝缘电阻: ≥100MΩ;
 介电强度: ≥500VAC/1min;
2. 环境温度: -25℃~75℃;
3. 相对湿度: ≤95% (40℃);
4. 操作力: 800±200g;
5. 未注公差均按GB/T1804-m级。

MATERIAL:
 Actuator: SUS ;
 Top Base: SUS;
 Buttom Base: PA66+GF ;
 Terminal: Brass, Silver plated ;
 Nut: Brass, Ni plated .

The material contained in this drawing is the property of XiBang. Any use other than that specifically authorized by XiBang is prohibited. The above drawing IS subjected to change for improvement without prior notice.

 Switch Connector	东莞市溪榜电子有限公司 DONG GUAN XI BANG ELECTRONICS CO., LTD									
	TITLE : PUHS BUTTON SWITCH		MODEL : XB-PBS-01N-FW							
UNIT : MM	DWN.	ZENQ. CHEN	DATE	TOLERANCE ≤1.5mm±0.1 > 1.5mm±0.2 >=10mm±0.3	ANGLE ±2°	7	SPRING	STEEL WIRE	1	NATURE
SCALE : 3 : 1	CHK'D	PENG. GAO	DATE			6	STEEL BALL	STEEL	1	NATURE
VBRSION	01	APPD.	FEI. LONG. HE	DATE		5	BOARD	PHENOLIC RESIN	1	NATURE
						4	CONTACT CLIP	PBS STRIP	2	Ag PLATED
						3	FRAME	IRON STRIP	1	Ni PLATED
						2	TERMINAL	BRASS STRIP	8	Ag PLATED
						1	KNOB	POM	1	BLACK
						NO.	PART NAME	MATERIAL	QTY.	FINISHING