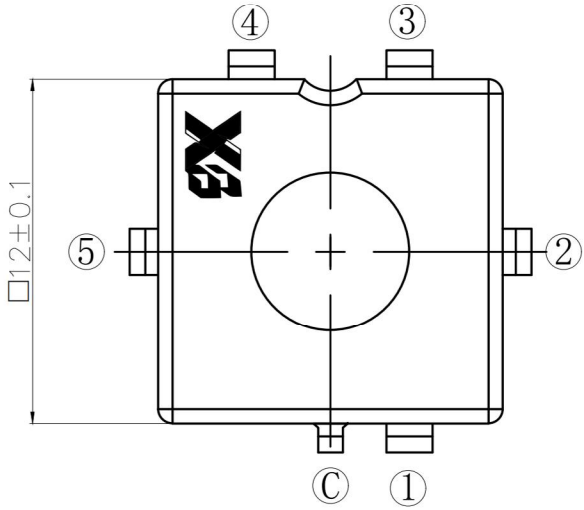
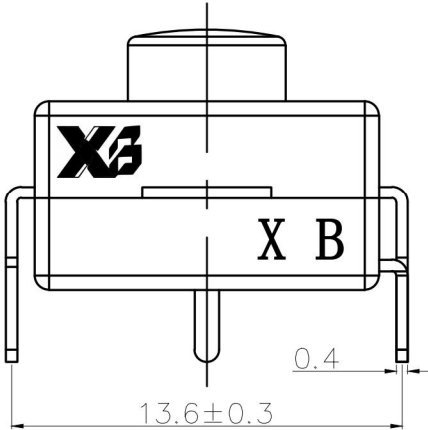
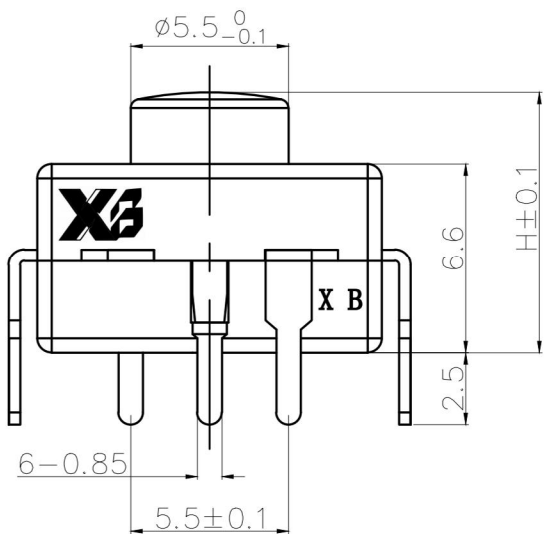
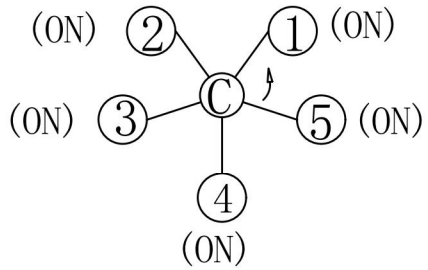


高度尺寸
H 尺寸
9.1
9.5
10
10.5
11.5
12.5
13.5
14.5
16
18



电气原理图



技术要求:

1. 额定负荷: 1A 250V AC 1E4;
2. 接触电阻: $\leq 100m\Omega$;
3. 绝缘电阻: $\geq 100M\Omega$;
4. 介电强度: 500VAC/1min;
5. 操作力: $800 \pm 200g$;
6. 环境温度: $-25^{\circ}C \sim 85^{\circ}C$;
7. 未标注公差按以下执行:

$x. \pm 0.30 . x \pm 0.20 . xx \pm 0.10 \angle \pm 2^{\circ} .$

MATERIAL:

- Actuator: SUS ;
- Top Base: SUS;
- Buttom Base: PA66+GF ;
- Terminal: Brass, Silver plated ;
- Nut: Brass, Ni plated .

The material contained in this drawing is the property of XiBang. Any use other than that specifically authorized by XiBang is prohibited. The above drawing IS subjected to change for improvement without prior notice.

	东莞市溪榜电子有限公司 DONG GUAN XI BANG ELECTRONICS CO., LTD									
	TITLE : PUHS BUTTON SWITCH									
	MODEL : XB-YT-1212-516A 六档. 5开1关 6脚									
UNIT : MM	DWN.	ZENQ. CHEN	DATE	TOLERANCE	ANGLE	7	SPRING	STEEL WIRE	1	NATURE
SCALE : 3 : 1	CHK'D	PENG. GAO	DATE	$\leq 1.5mm \pm 0.1$	$\pm 2^{\circ}$	6	STEEL BALL	STEEL	1	NATURE
VBRSION	01	APPD.	FEI. LONG. HE	$> 1.5mm \pm 0.2$		5	BOARD	PHENOLIC RESIN	1	NATURE
				$> 10mm \pm 0.3$		4	CONTACT CLIP	PBS STRIP	2	Ag PLATED
						3	FRAME	IRON STRIP	1	Ni PLATED
						2	TERMINAL	BRASS STRIP	8	Ag PLATED
						1	KNOB	POM	1	BLACK
						NO.	PART NAME	MATERIAL	QTY.	FINISHING