



鍍層厚度:

- Blank : 1u"
- 2 : 15u"
- 3 : 30u"

A12	A11	A10	A9	A8	A7	A6	A5	A4	A3	A2	A1											
GND			VBUS	SUB1	D-	D+	CC1	VBUS	TX1-	TX1+	GND											
First			First	Second	Second	Second	Second	First	Second	Second	First											
										B1	B2	B3	B4	B5	B6	B7	B8	B9	B10	B11	B12	
																				RX1-	RX1+	
																				Second	Second	

**SPECIFICATIONS**

**Electrical:**

- Rating: 3.0A (V BUS&GND), 0.25A(Other Pin)
- Voltage rating: 12V 24V AC
- Contact Resistance: 40 mΩ Max
- Insulation Resistance: 100 MΩ Min
- Dielectric Withstanding Voltage: 100V AC
- Operating temperature: -40° C ~ +85° C
- Waterproof grade: IP 50
- Durability cycle: 10,000 cycles

**Mechanical:**

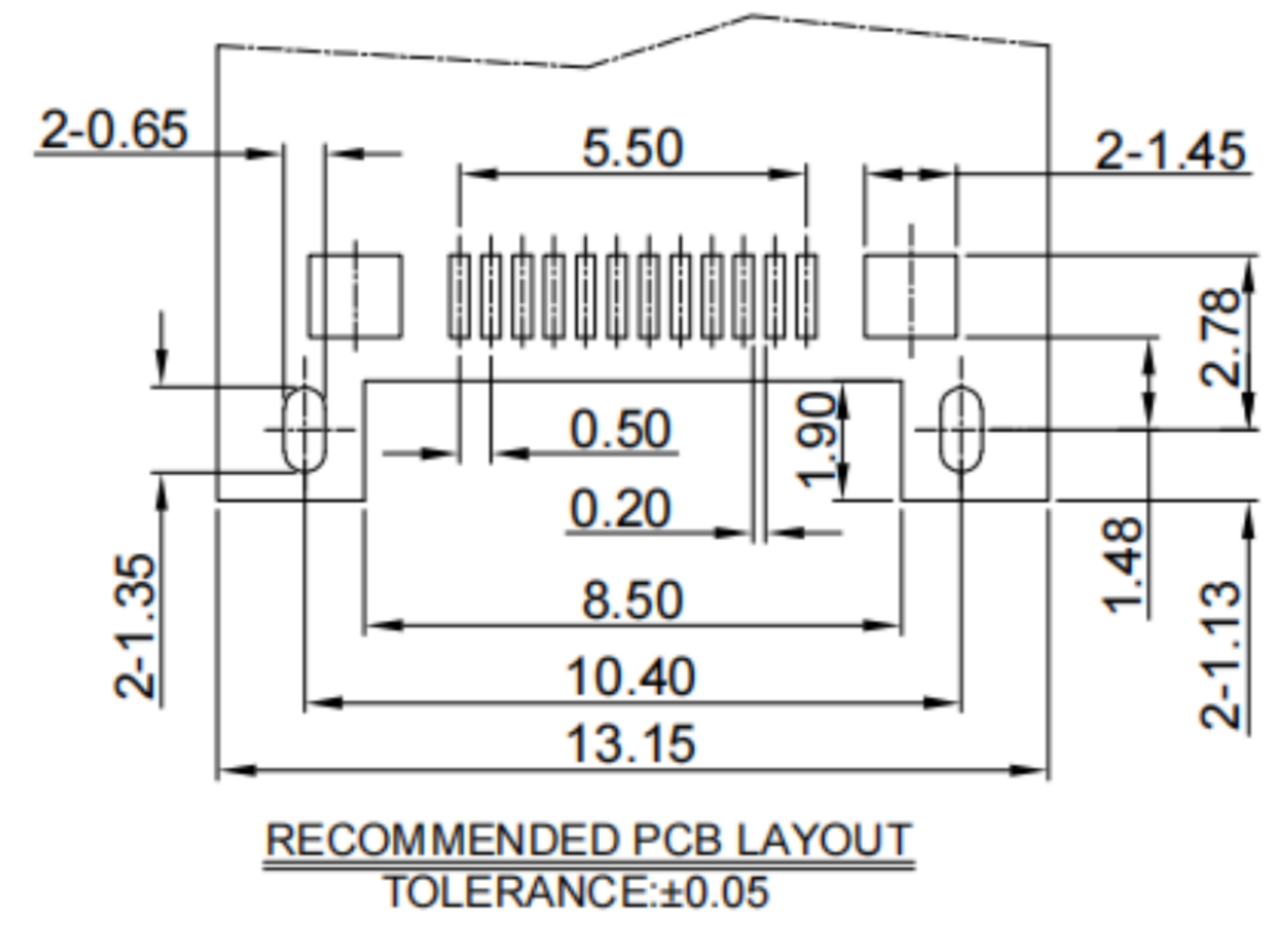
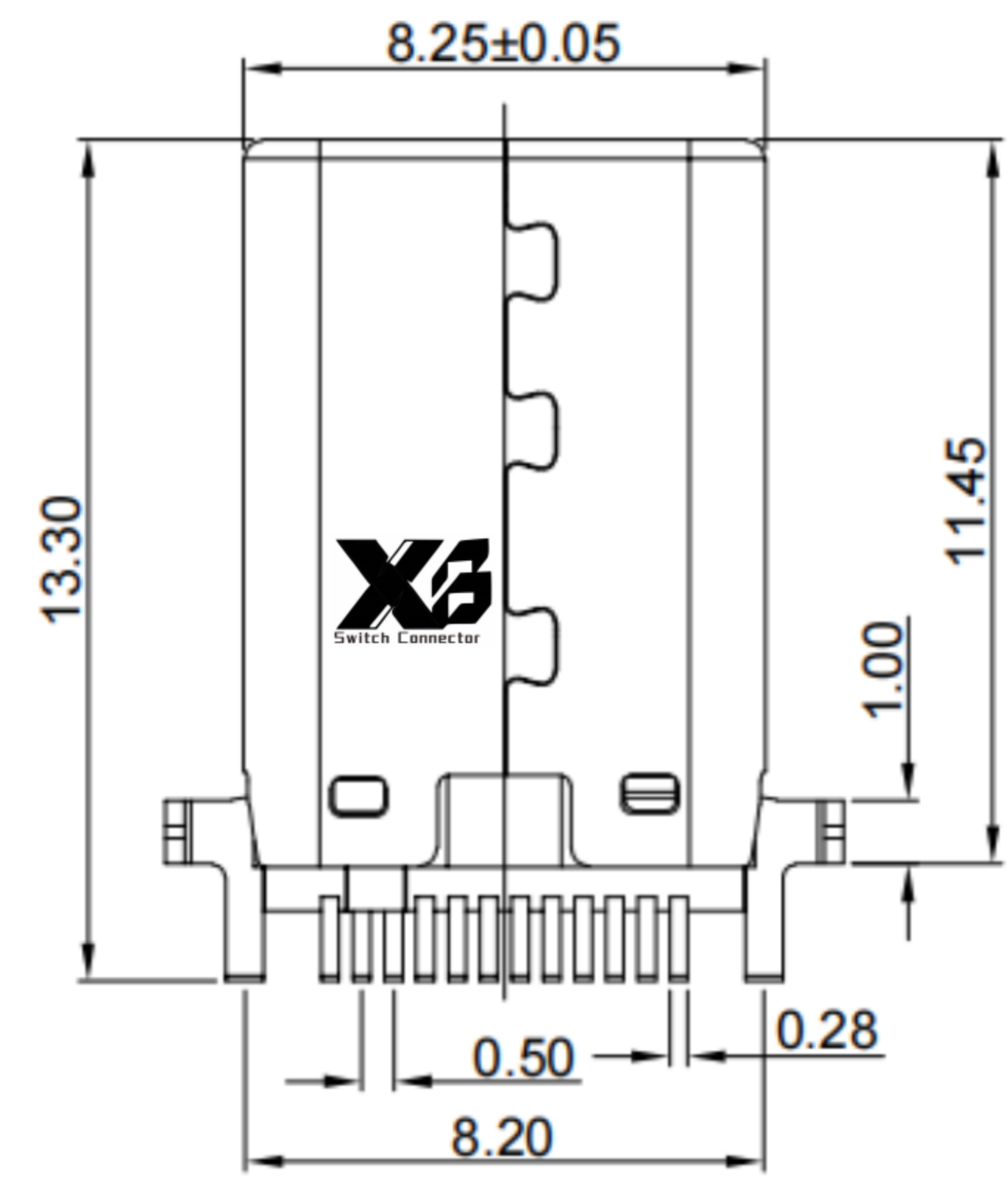
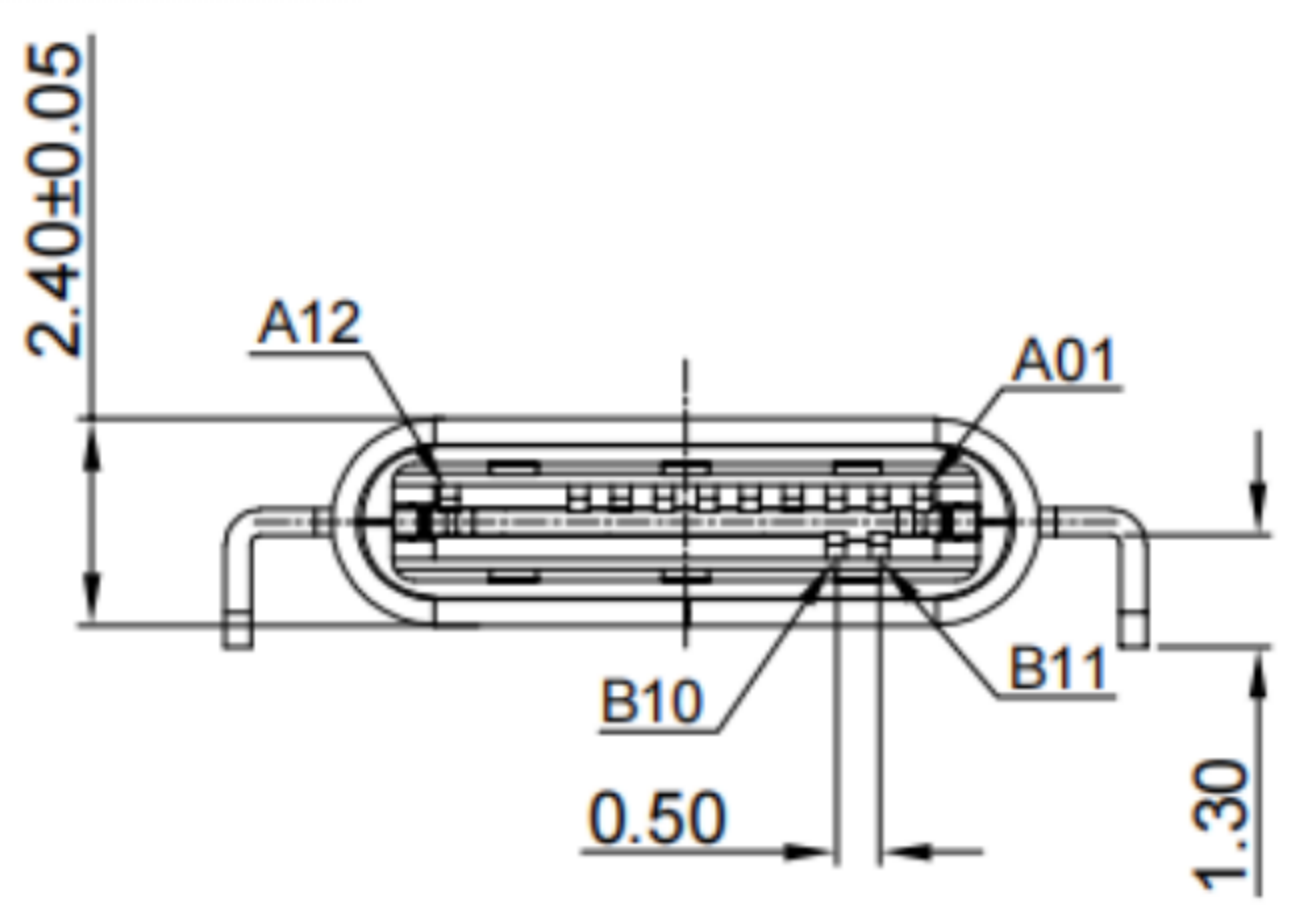
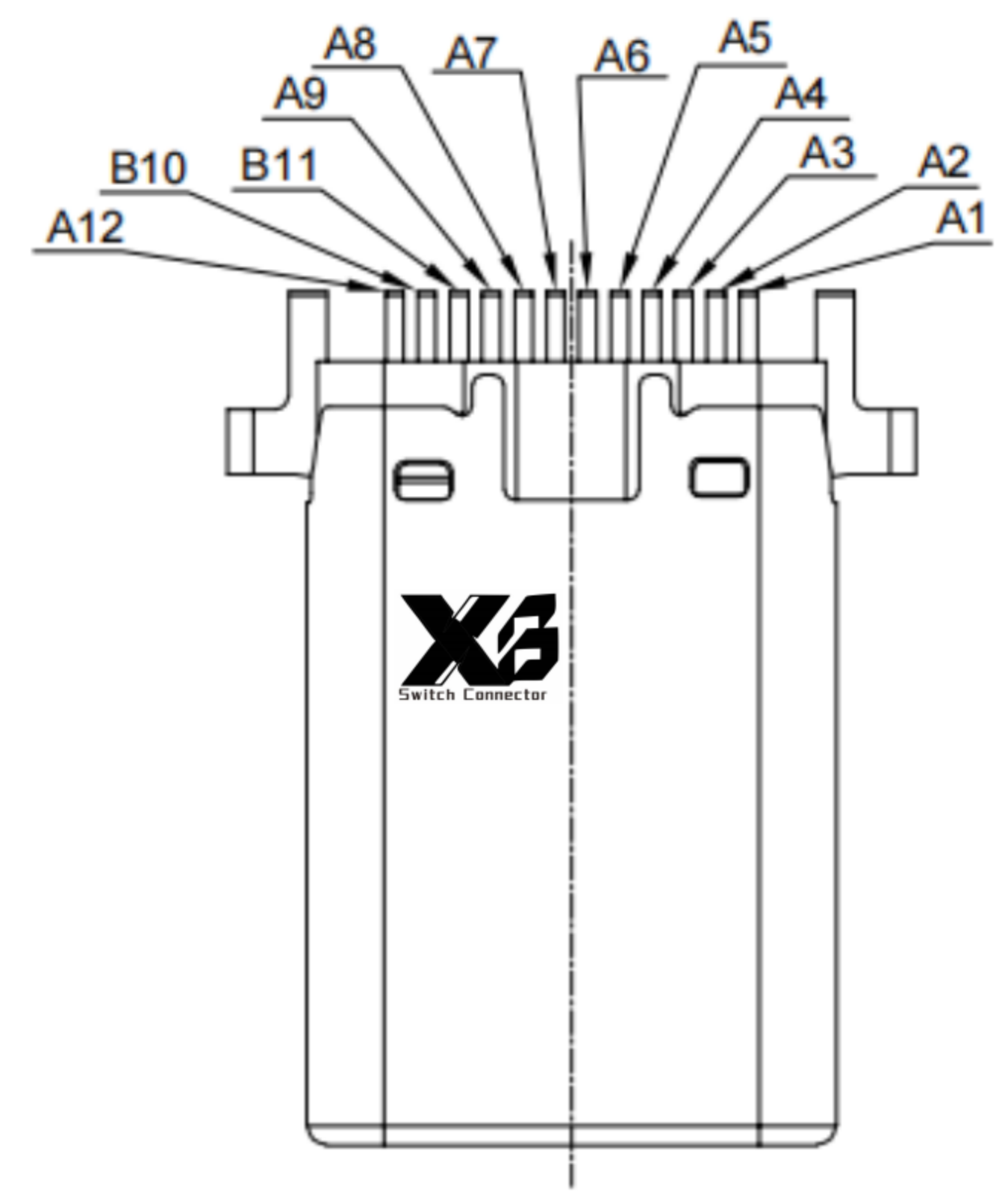
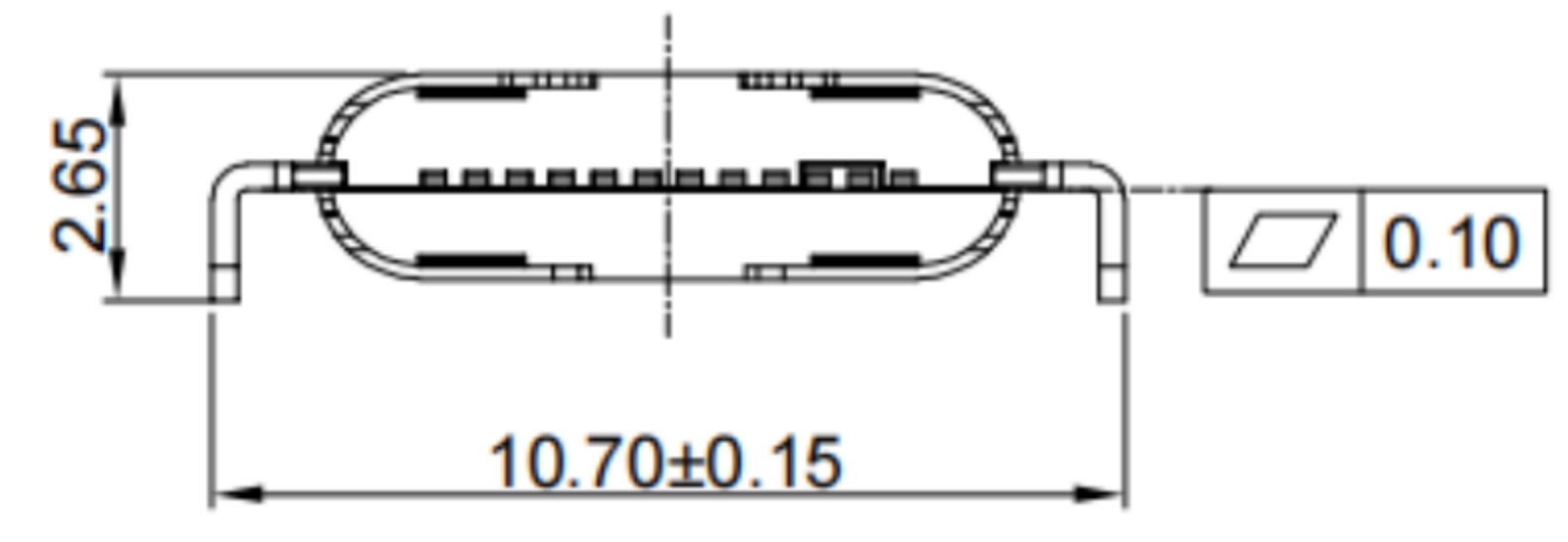
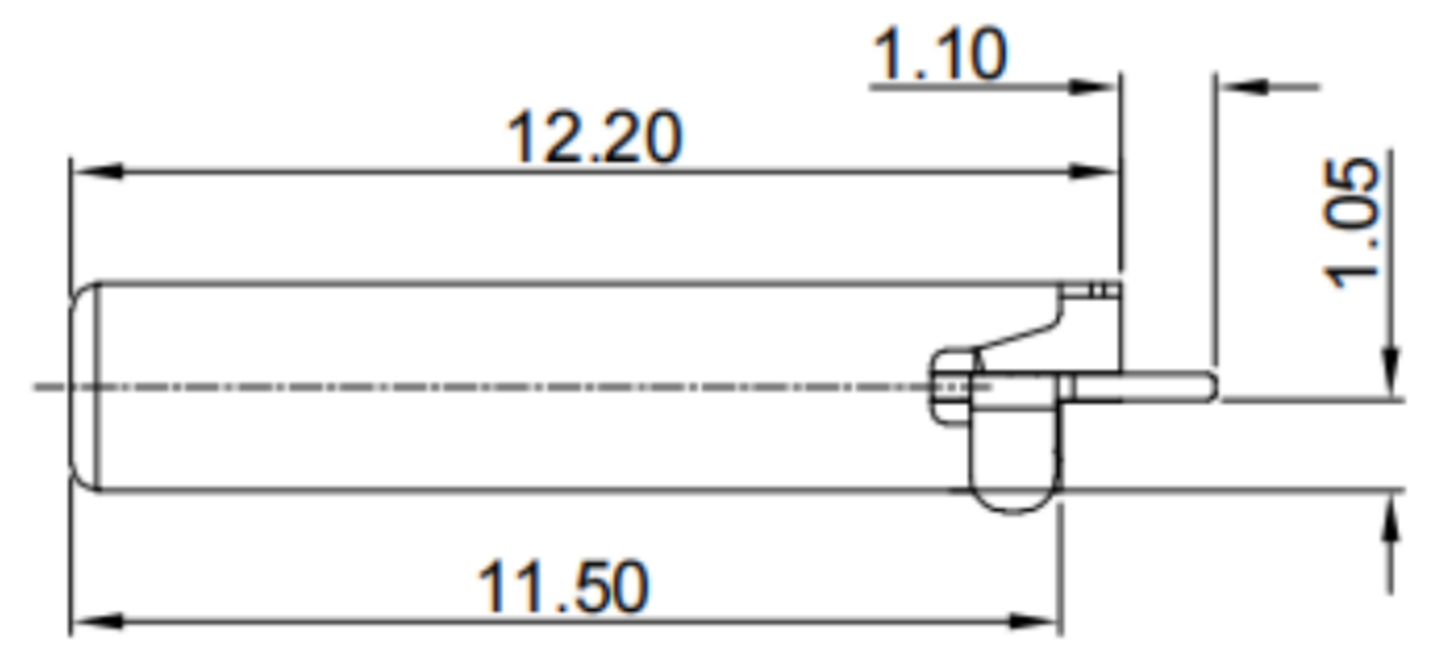
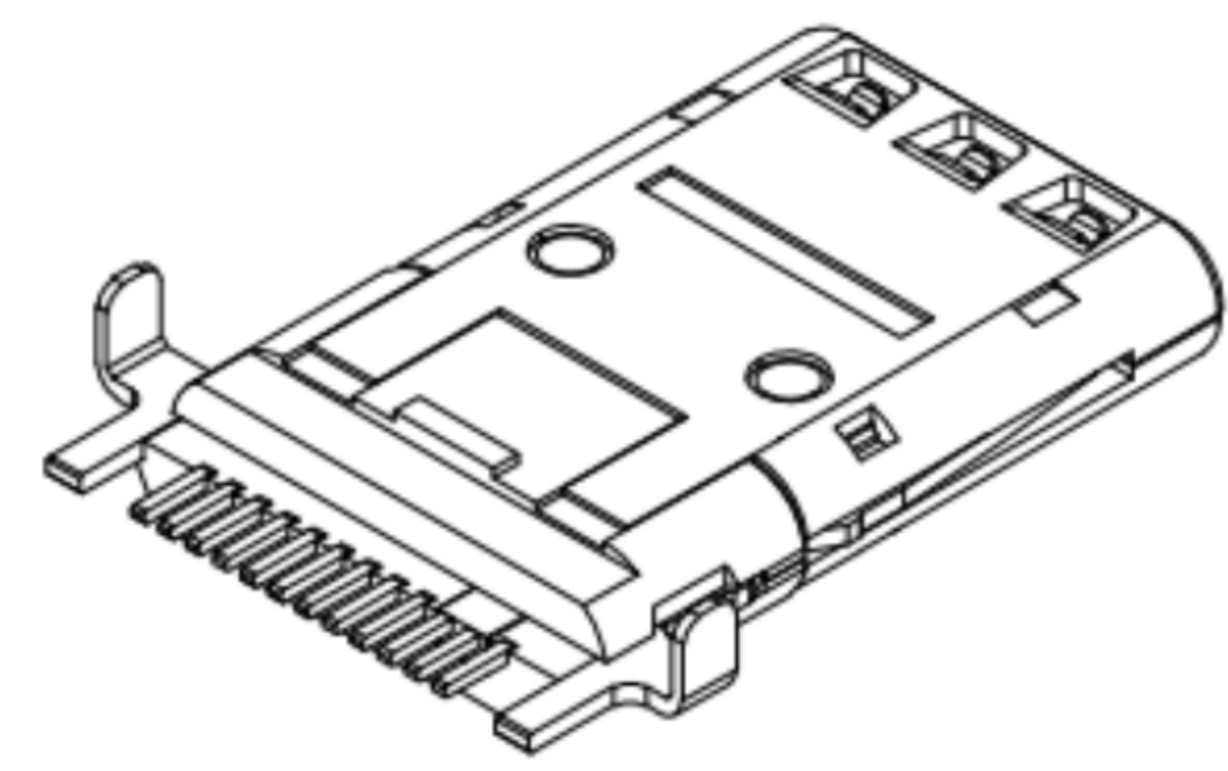
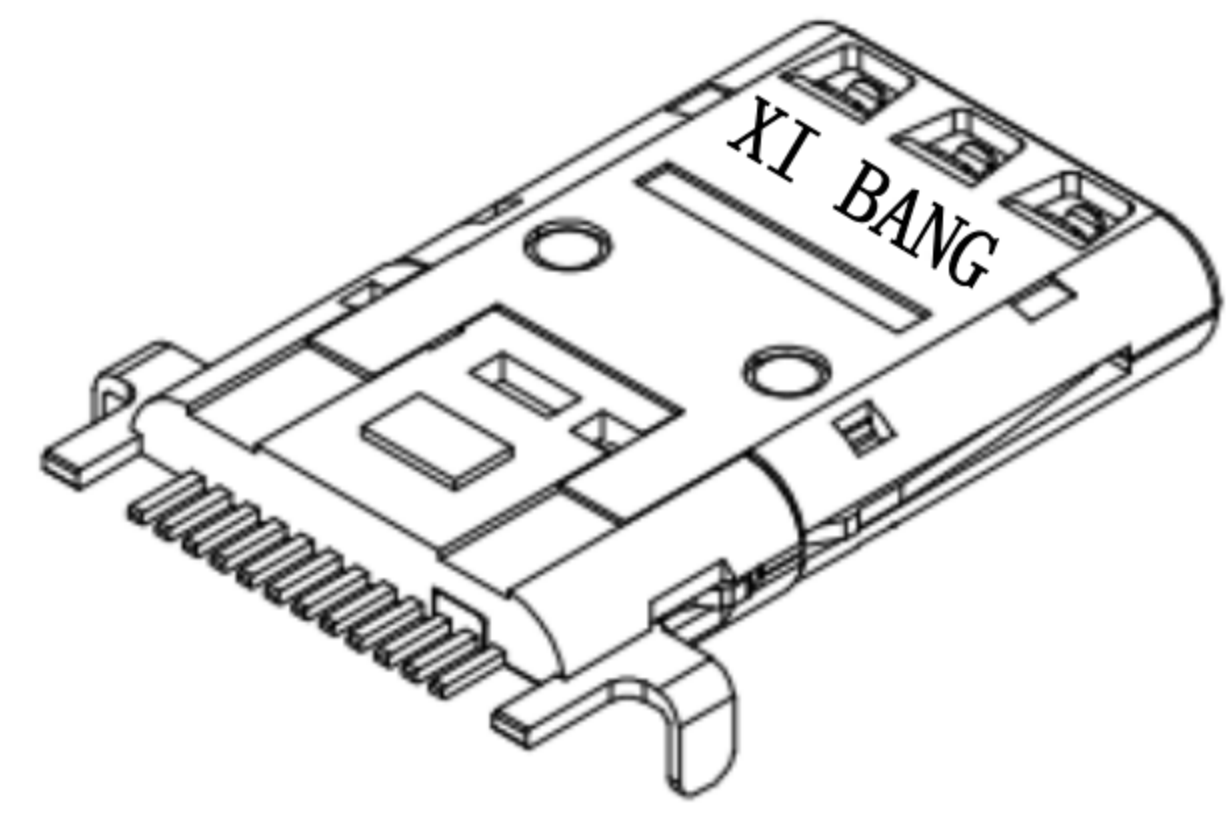
- Connector Mate and Unmate Force
  - Mate force: 5~20 N .
  - Unmate force: 8~20 N

**Material:**

- Housing: LCP
- Contact: C18400
- Shell: SUS
- O-ring: Silicone

**Finish:**

- Contact: Plated Gold in Mating Area ;  
Tin Plated on Solder Balls ;  
Nickel under plated overall
- Shell: Nickel under Plated surface layer



**XB** 东莞市溪榜电子有限公司  
DONG GUAN XI BANG ELECTRONICS CO., LTD.

TOLERANCE UNLESS OTHERWISE STATED: Up to 5 ±0.2, Above 5 ~ 15 ±0.3, Above 15 ~ 30 ±0.4, Above 30 ~ 50 ±0.5, Angle ±0.3°

3RD. ANGEL'S

UNITS MM

DRAWN BY:	DATE	MAT'L	TITLE	CONNECTOR
Jack Lu	03/10/22		MODLE	Horizontal Type-c 12P Plug Sink 1.05 SMT L=12.2mm
CHECKED BY:	DATE	FINISH	DWG NO.	XB-USB-C-T-2402A
Jacky Chen	03/10/22	SCALE 1:1	PART NO.	
APPROVED BY:	DATE	SHEET NO.		
Tony Kao	03/10/22	1 of 1		

1	更新圖面	Jack	031022
ITEM NO.	DESCRIPTION	DRAWN	DATE