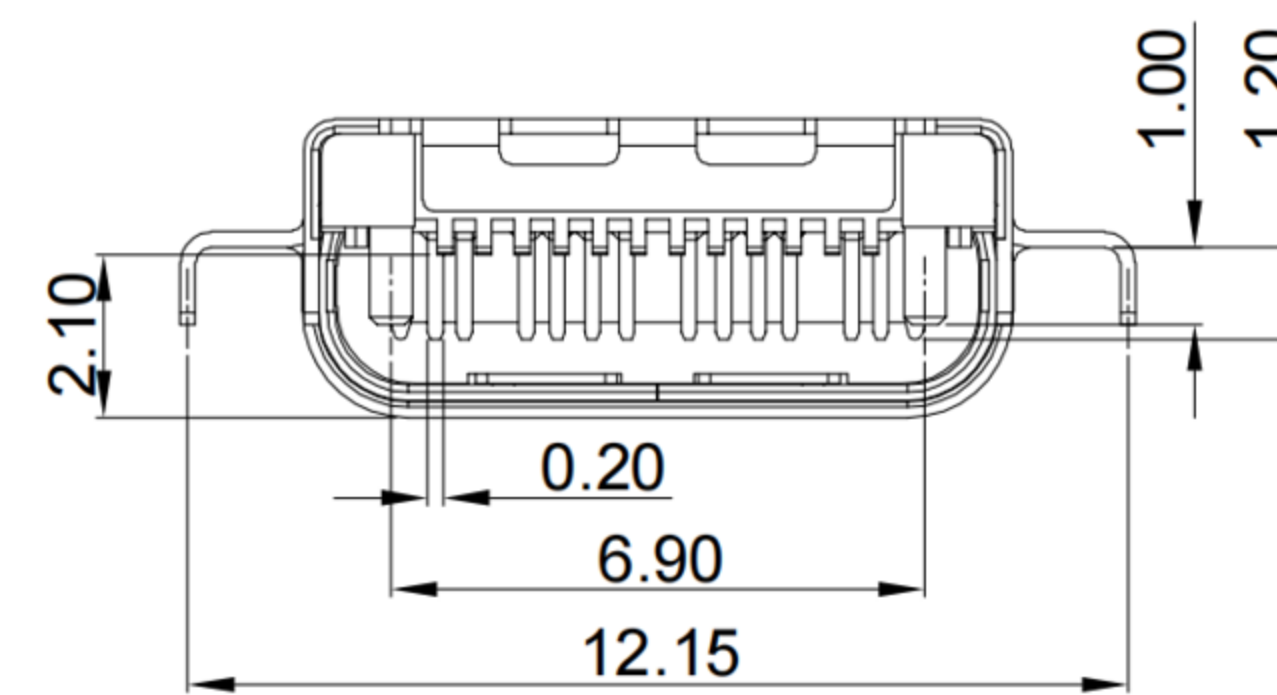
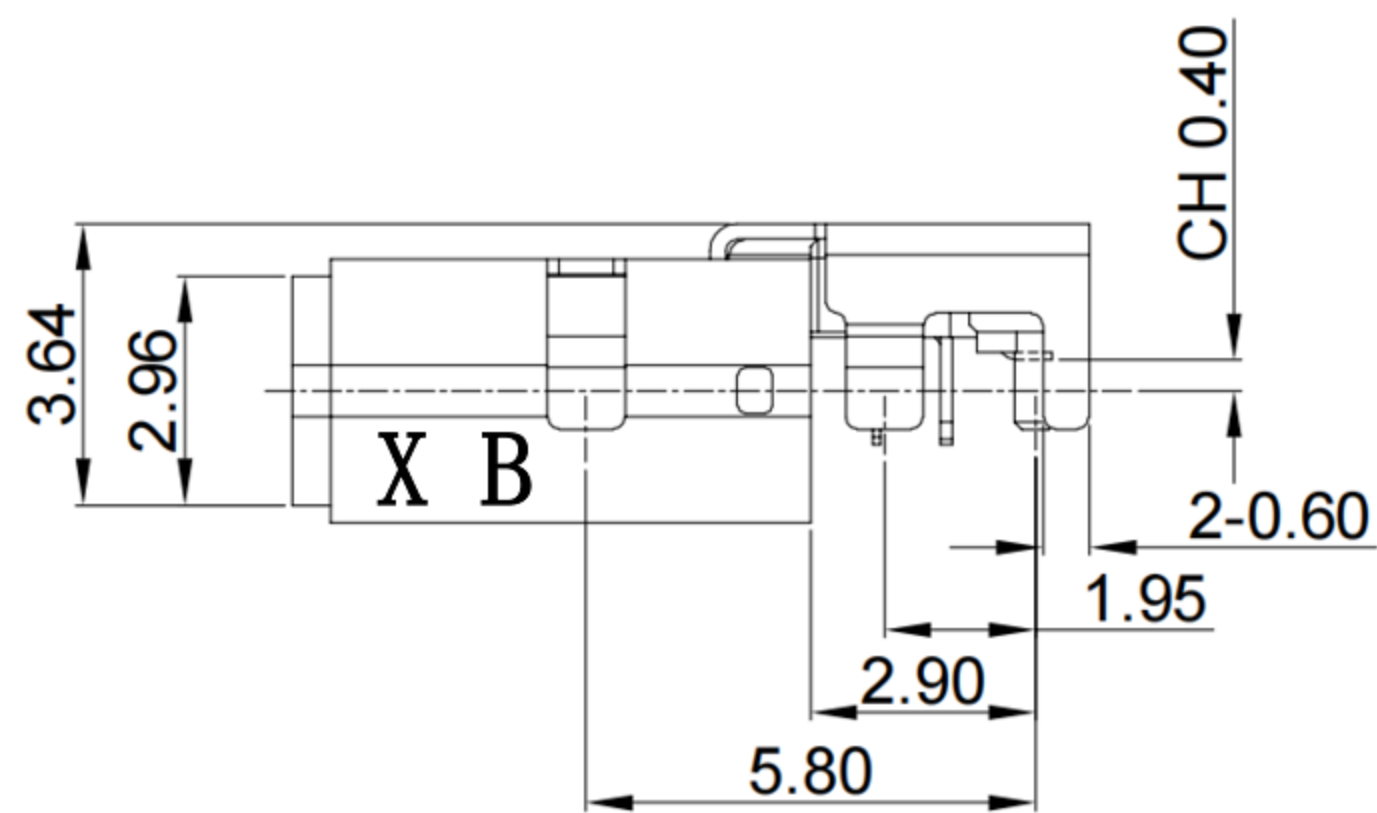
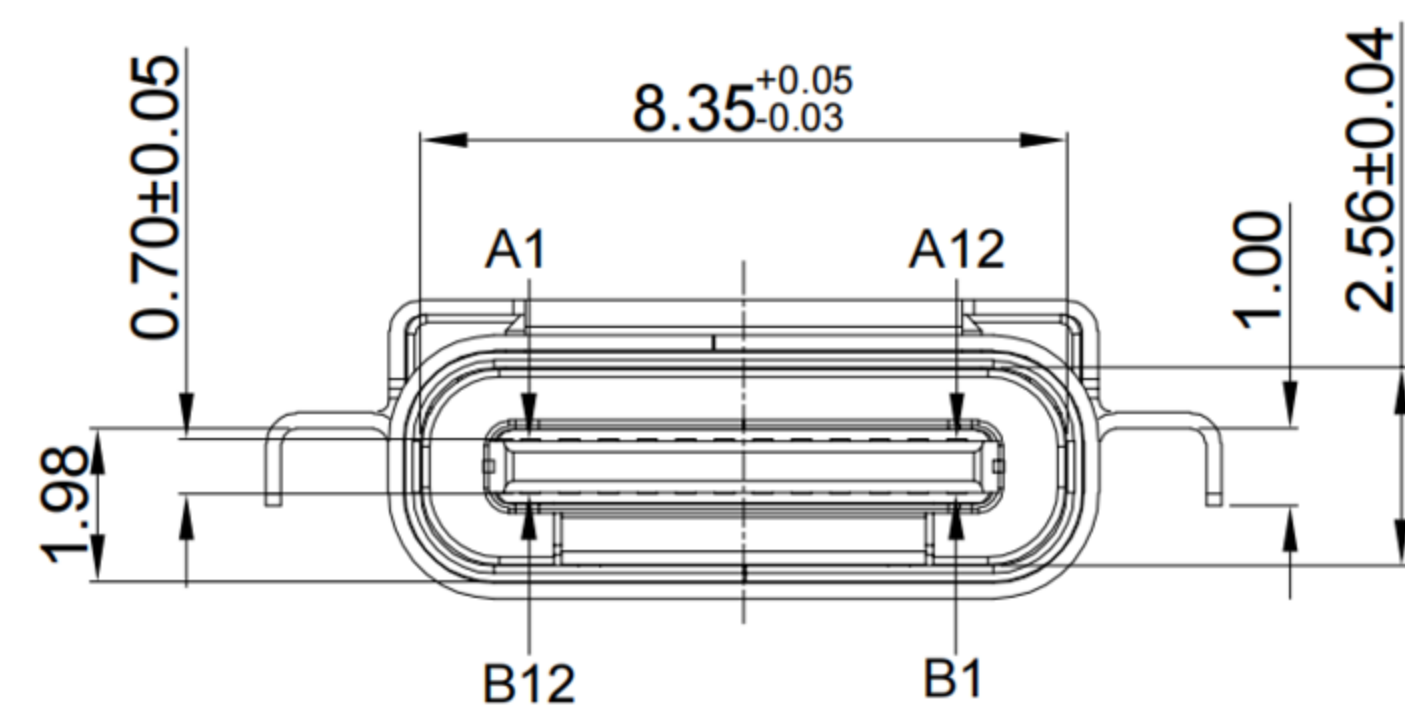


鍍層厚度:

|             |
|-------------|
| Blank : 1u" |
| 2 : 15u"    |
| 3 : 30u"    |



**SPECIFICATIONS**

**Electrical:**

1. Rating: 5.0A (V BUS&GND), 0.25A (Other Pin)
2. Voltage rating: 12V 24V AC
3. Contact Resistance: 40 mΩ Max
4. Insulation Resistance: 100 MΩ Min
5. Dielectric Withstanding Voltage: 100V AC
6. Operating temperature: -40° C ~ +85° C
7. Waterproof grade: IP 50
8. Durability cycle: 10,000 cycles

**Mechanical:**

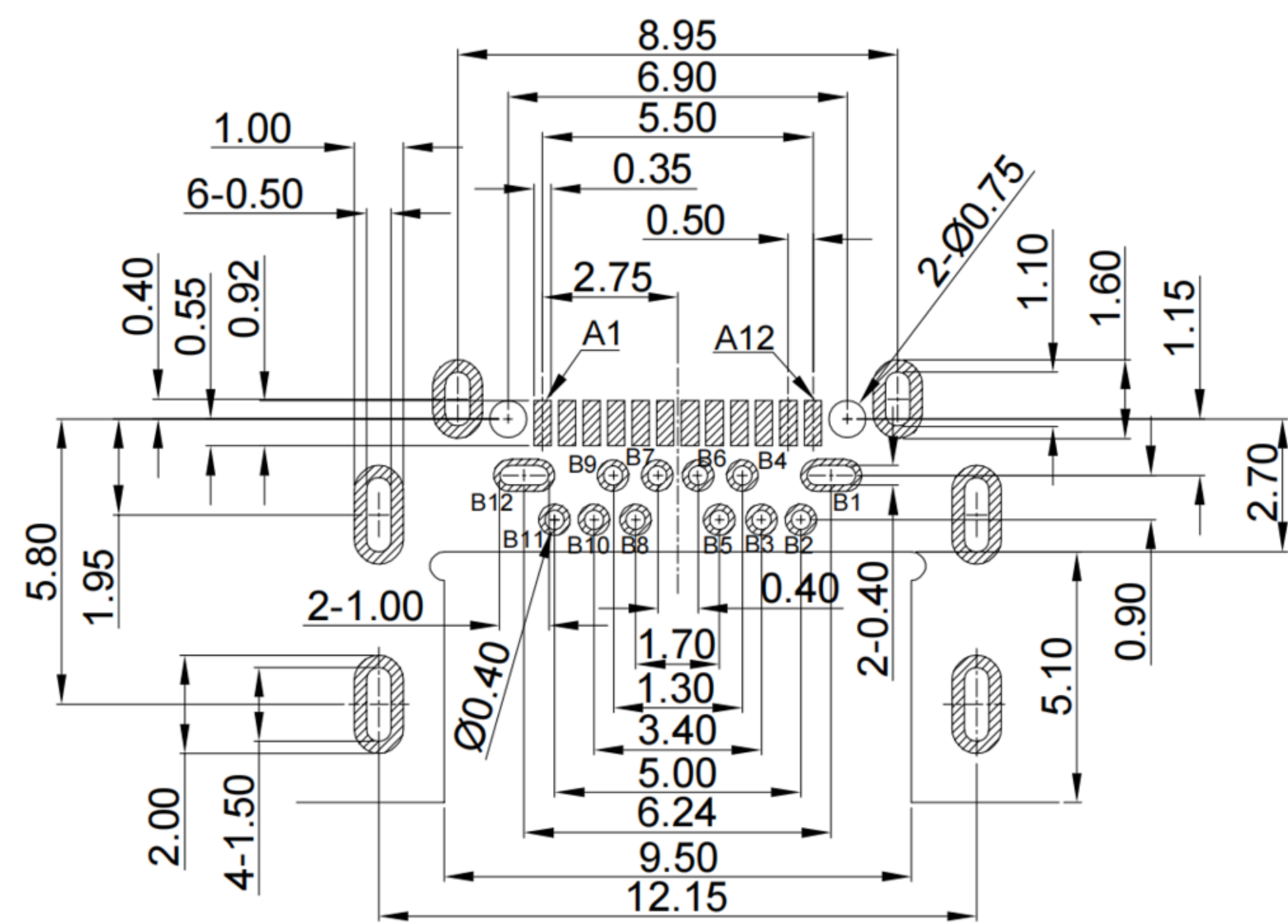
1. Connector Mate and Unmate Force
  - 1.1 Mate force: 5~20 N .
  - 1.2 Unmate force: 8~20 N

**Material:**

1. Housing: LCP
2. Contact: C18400
3. Shell: SUS
4. O-ring: Silicone

**Finish:**

1. Contact: Plated Gold in Mating Area ;  
Tin Plated on Solder Balls ;  
Nickel under plated overall
2. Shell: Nickel under Plated surface layer



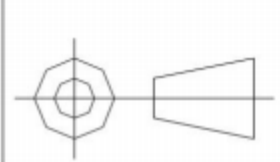
|       |        |        |       |        |        |        |        |       |        |        |       |
|-------|--------|--------|-------|--------|--------|--------|--------|-------|--------|--------|-------|
| A1    | A2     | A3     | A4    | A5     | A6     | A7     | A8     | A9    | A10    | A11    | A12   |
| GND   | TX1+   | TX1-   | VBUS  | CC1    | D+     | D-     | SBU1   | VBUS  | RX2-   | RX2+   | GND   |
| First | Second | Second | First | Second | Second | Second | Second | First | Second | Second | First |
| B12   | B11    | B10    | B9    | B8     | B7     | B6     | B5     | B4    | B3     | B2     | B1    |
| GND   | RX1+   | RX1-   | VBUS  | SBU2   | D-     | D+     | CC2    | VBUS  | TX2-   | TX2+   | GND   |
| First | Second | Second | First | Second | Second | Second | Second | First | Second | Second | First |



TOLERANCE UNLESS OTHERWISE STATED:

Up to 5 ±0.2  
Above 5 ~ 15 ±0.3  
Above 15 ~ 30 ±0.4  
Above 30 ~ 50 ±0.5  
Angle ±0.3°

3RD. ANGEL'S



UNITS MM

DRAWN BY: Jack Lu  
DATE: 03/10/22  
CHECKED BY: Jacky Chen  
DATE: 03/10/22  
APPROVED BY: Tony Kao  
DATE: 03/10/22

|           |          |  |
|-----------|----------|--|
| MAT'L     | TITLE    | CONNECTOR  |
| FINISH    | MODLE    | Horizontal Type-c 24P Female Sink 2.1 CH=0.4 L=10.30mm |
| SCALE     | DWG NO.  | XB-USB-C-2417  |
| SHEET NO. | PART NO. |  |

|          |             |       |        |
|----------|-------------|-------|--------|
| 1        | 更新圖面        | Jack  | 031022 |
| ITEM NO. | DESCRIPTION | DRAWN | DATE   |

SIZE A4  
VER R1