

# IPX7



鍍層厚度:  
Blank: 1u"  
2: 15u"  
3: 30u"

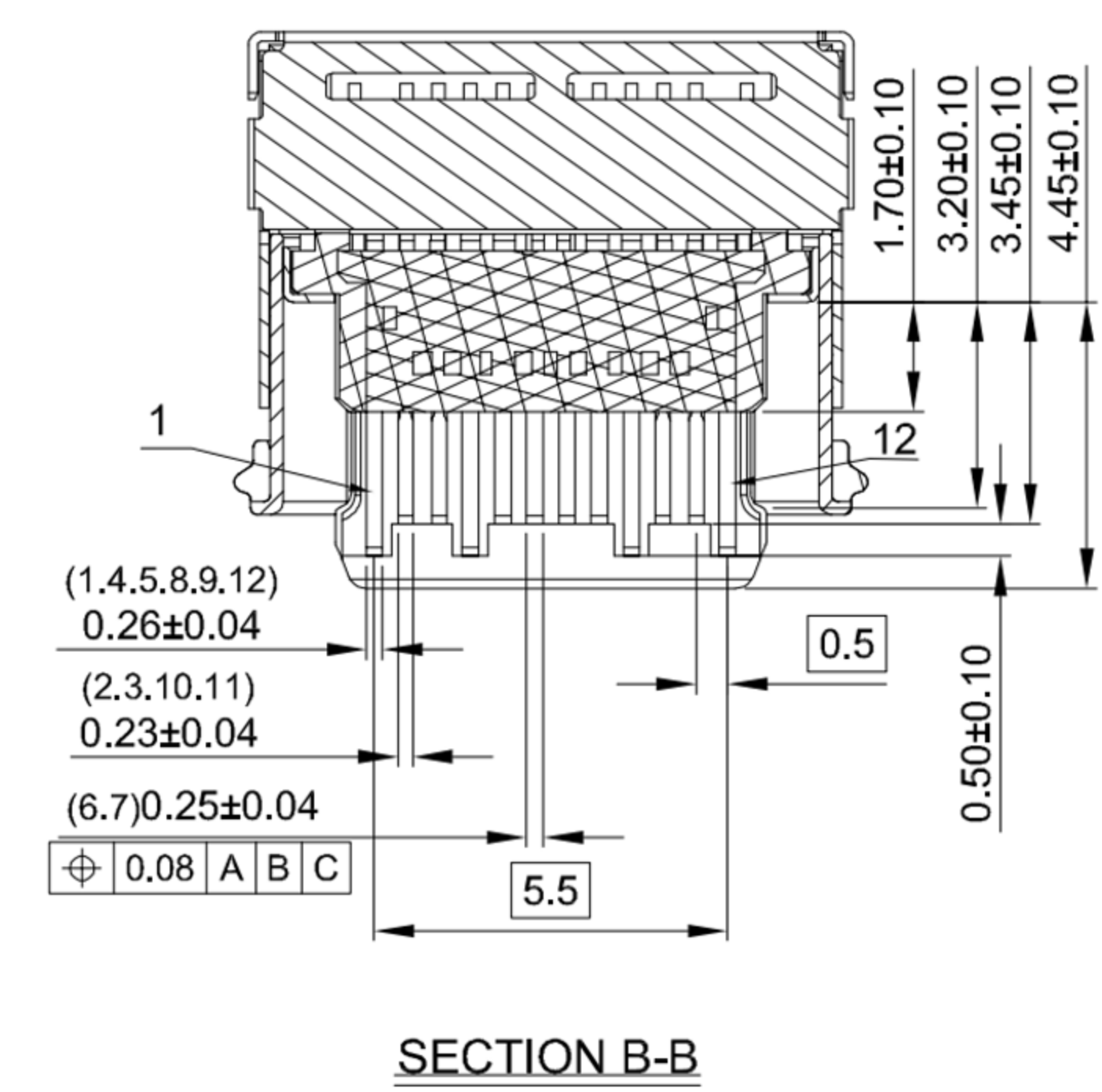
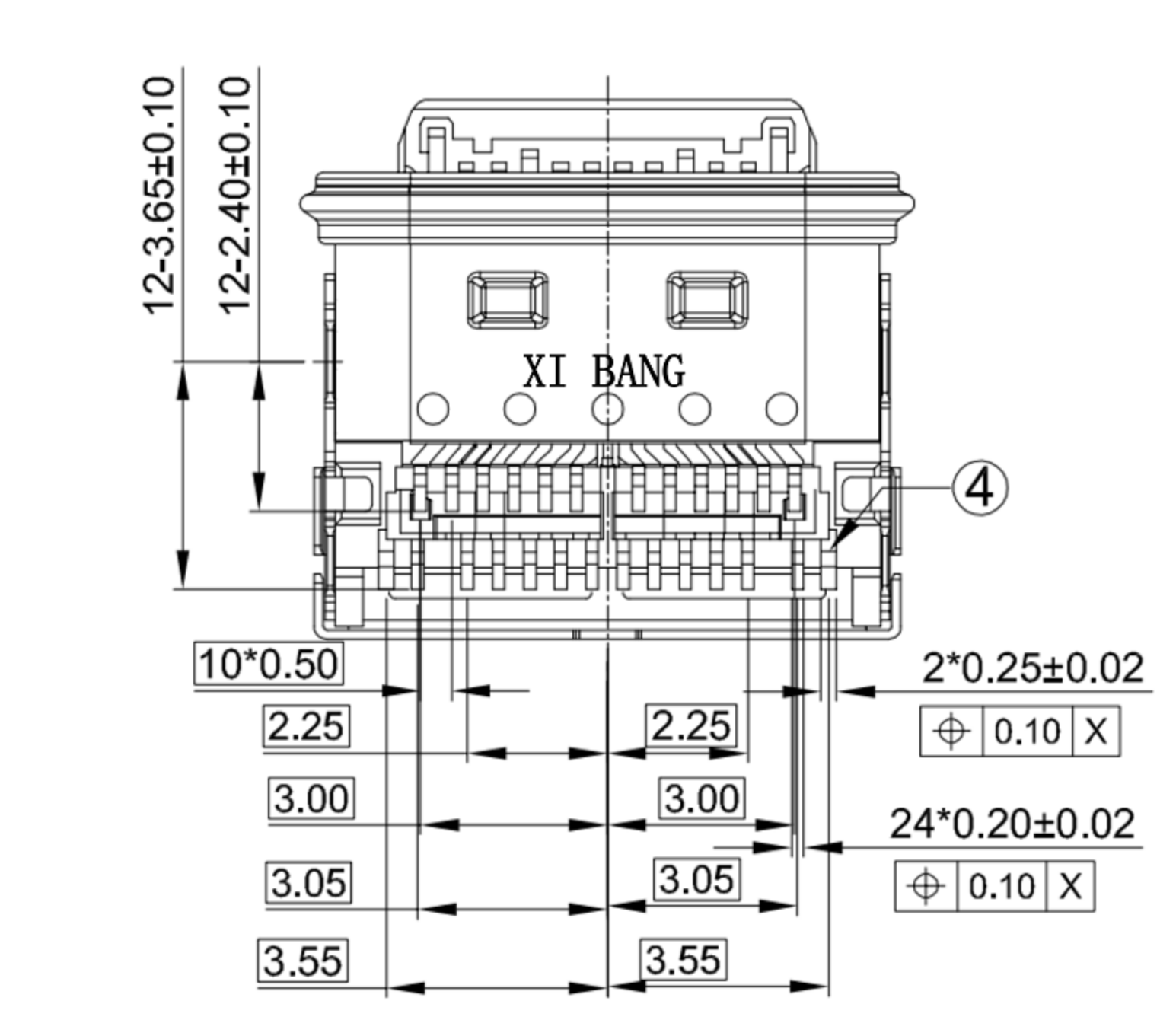
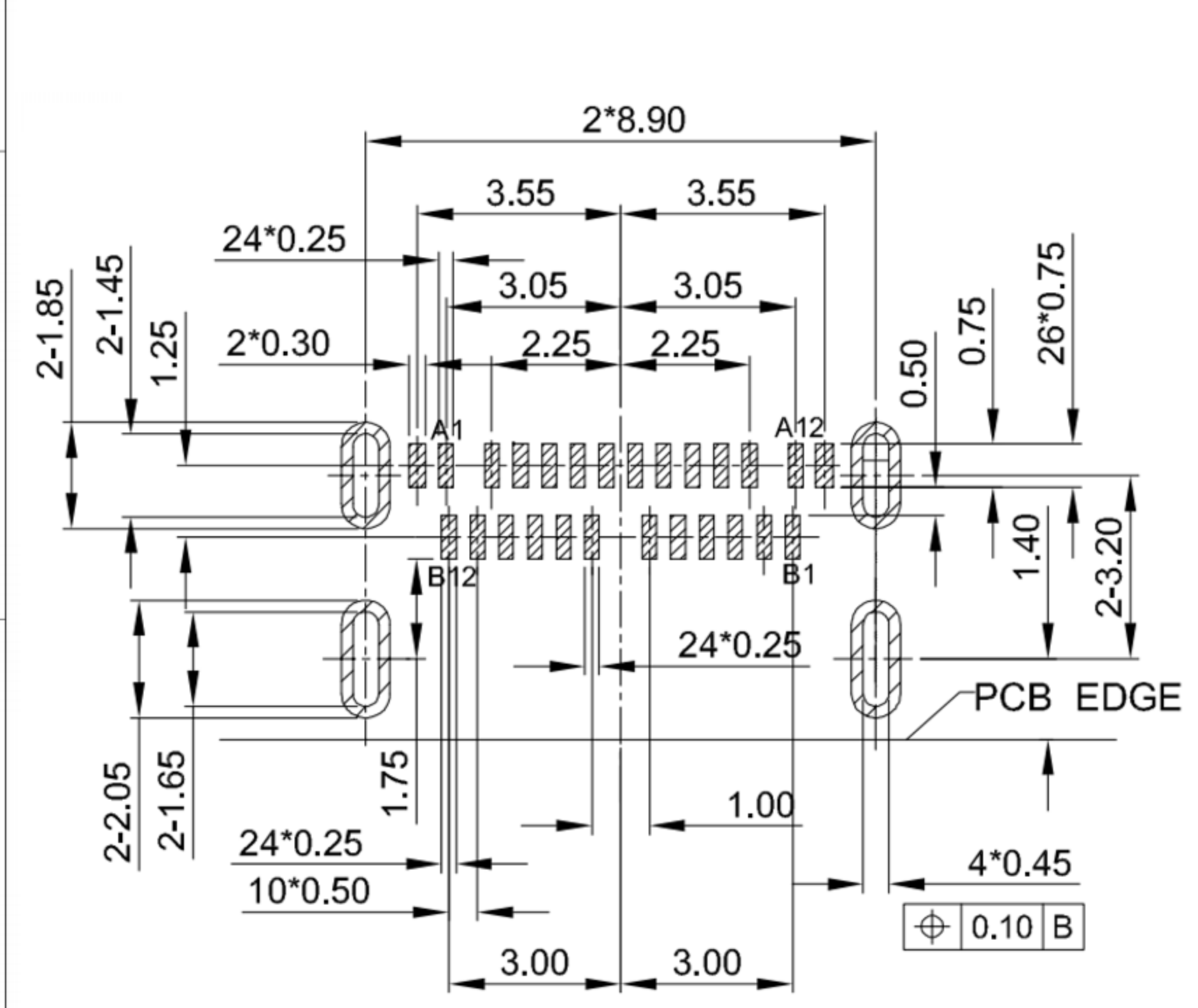
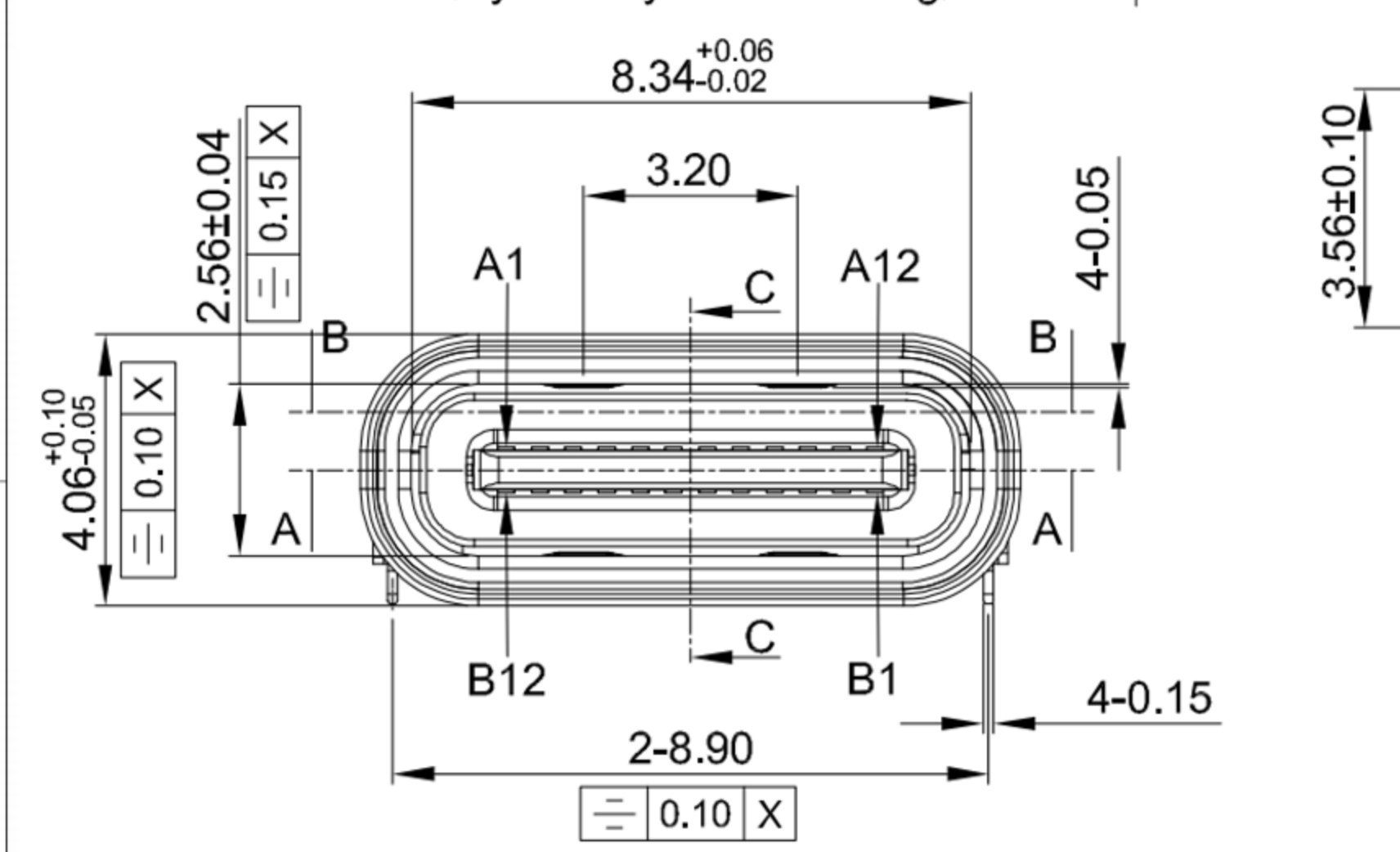
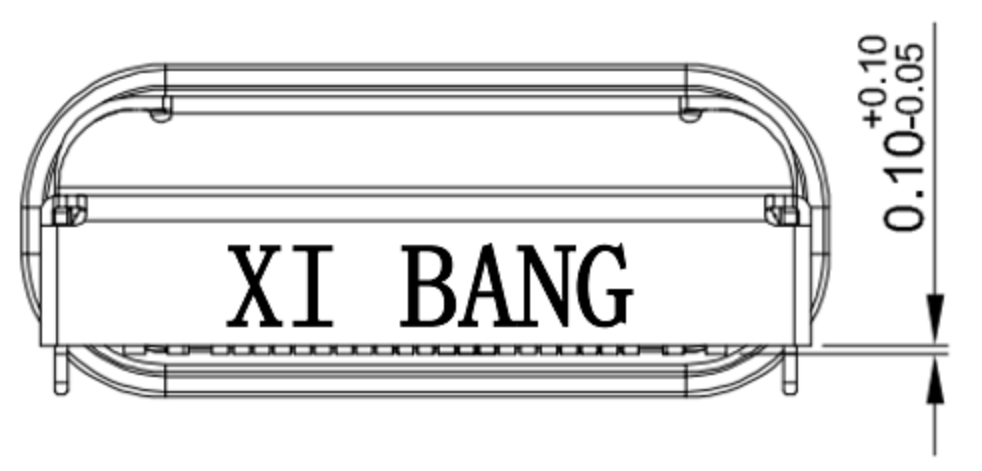
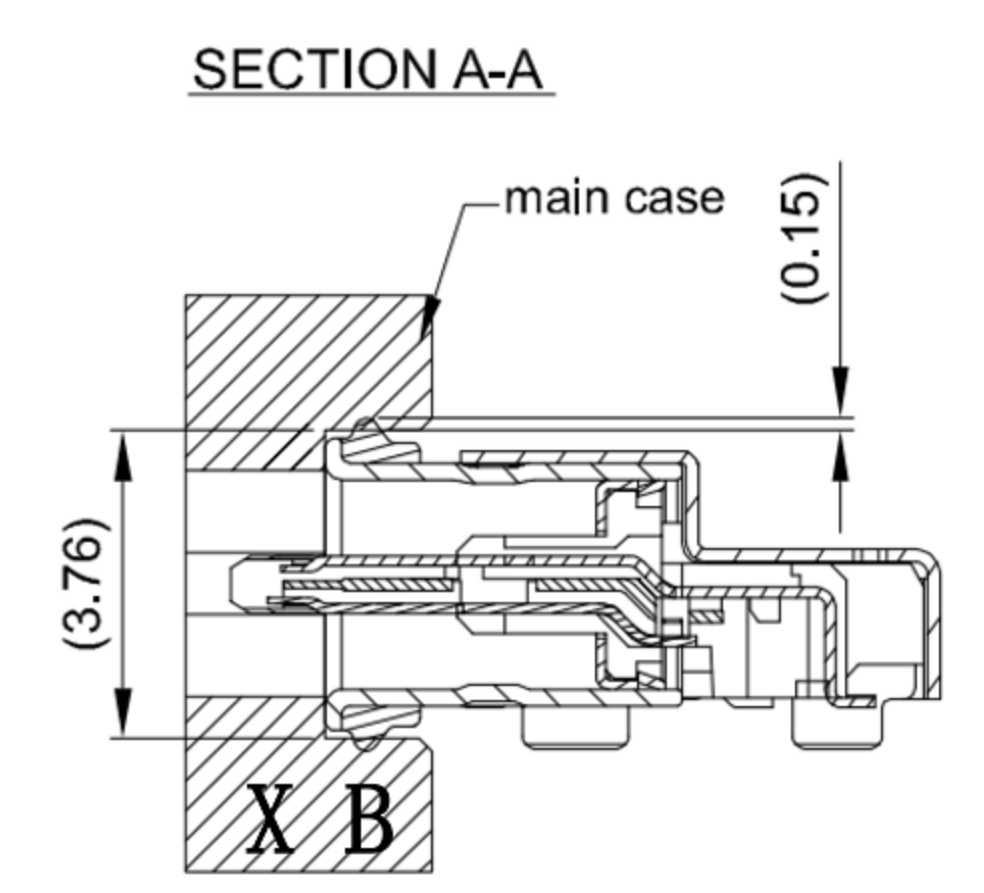
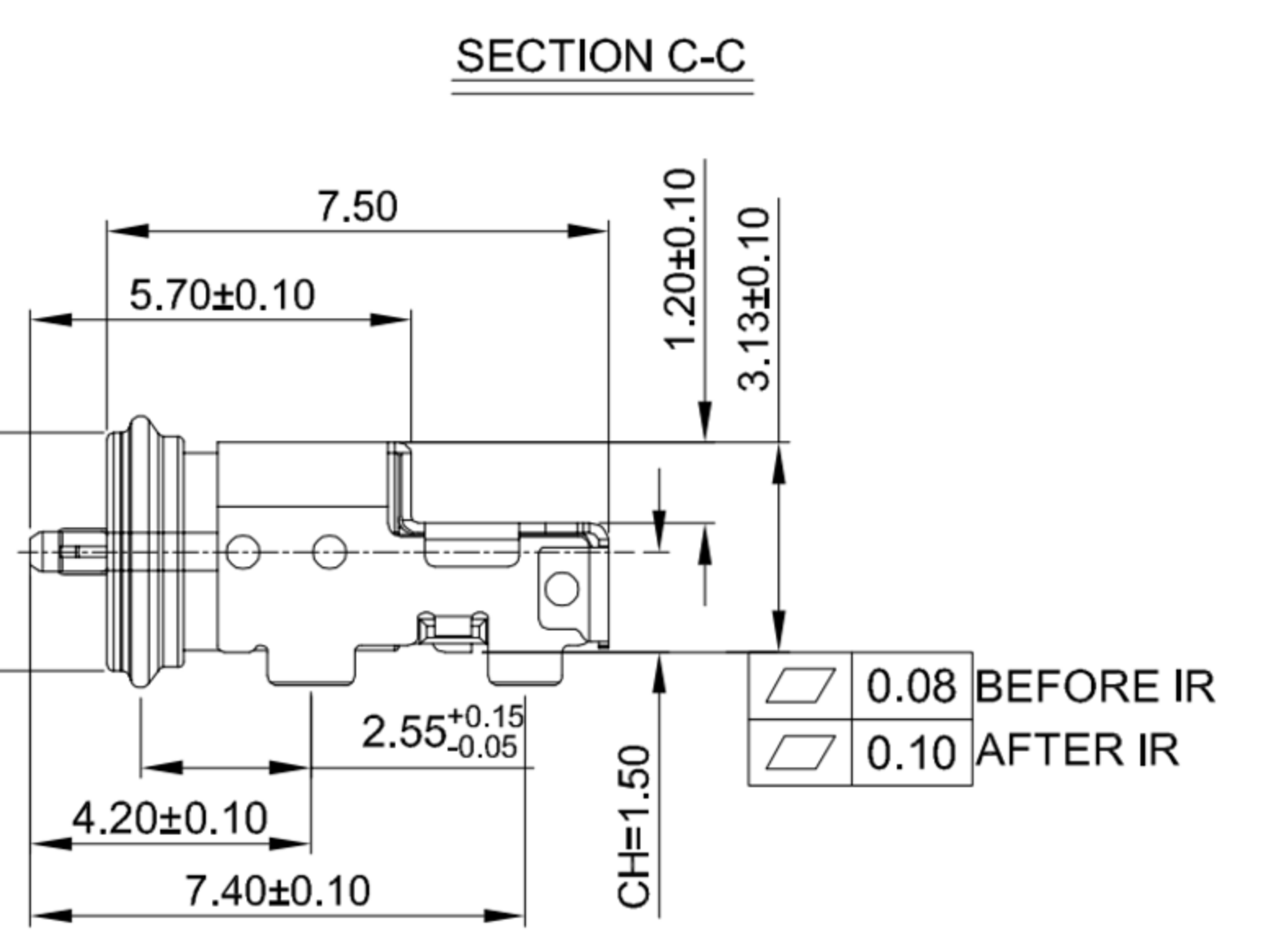
### SPECIFICATIONS

- Electrical:**
- Rating: 5.0A (V BUS&GND), 0.25A (Other Pin)
  - Voltage rating: 12V 24V AC
  - Contact Resistance: 40 mΩ Max
  - Insulation Resistance: 100 MΩ Min
  - Dielectric Withstanding Voltage: 100V AC
  - Operating temperature: -40° C ~ +85° C
  - Waterproof grade: IP-X7
  - Durability cycle: 10,000 cycles

- Mechanical:**
- Connector Mate and Unmate Force
    - Mate force: 5~20 N.
    - Unmate force: 8~20 N

- Material:**
- Housing: LCP
  - Contact: C18400
  - Shell: SUS
  - O-ring: Silicone

- Finish:**
- Contact: Plated Gold in Mating Area ; Tin Plated on Solder Balls ; Nickel under plated overall
  - Shell: Nickel under Plated surface layer



A1	A2	A3	A4	A5	A6	A7	A8	A9	A10	A11	A12
GND	TX1+	TX1-	VBUS	CC1	D+	D-	SBU1	VBUS	RX2-	RX2+	GND
First	Second	Second	First	Second	Second	Second	Second	First	Second	Second	First
B12	B11	B10	B9	B8	B7	B6	B5	B4	B3	B2	B1
GND	RX1+	RX1-	VBUS	SBU2	D-	D+	CC2	VBUS	TX2-	TX2+	GND
First	Second	Second	First	Second	Second	Second	Second	First	Second	Second	First

**XB** 东莞市溪榜电子有限公司  
DONG GUAN XI BANG ELECTRONICS CO., LTD.

TOLERANCE UNLESS OTHERWISE STATED:  
Up to 5 ±0.2  
Above 5 ~ 15 ±0.3  
Above 15 ~ 30 ±0.4  
Above 30 ~ 50 ±0.5  
Angle ±0.3°

3RD. ANGEL'S

UNITS MM

DRAWN BY:	DATE	MAT'L	TITLE	CONNECTOR
Jack Lu	03/10/22		MODLE	Horizontal Type-c 24P Female SMT CH=1.5 L=8.64mm
CHECKED BY:	DATE	SCALE	DWG NO.	XB-USB-C-2406-FS
Jacky Chen	03/10/22	1:1	PART NO.	
APPROVED BY:	DATE	SHEET NO.		
Tony Kao	03/10/22	1 of 1		

1	更新圖面	Jack	031022
ITEM NO.	DESCRIPTION	DRAWN	DATE