



XB-FPC - 1252 D R 49 -XX X XX 01

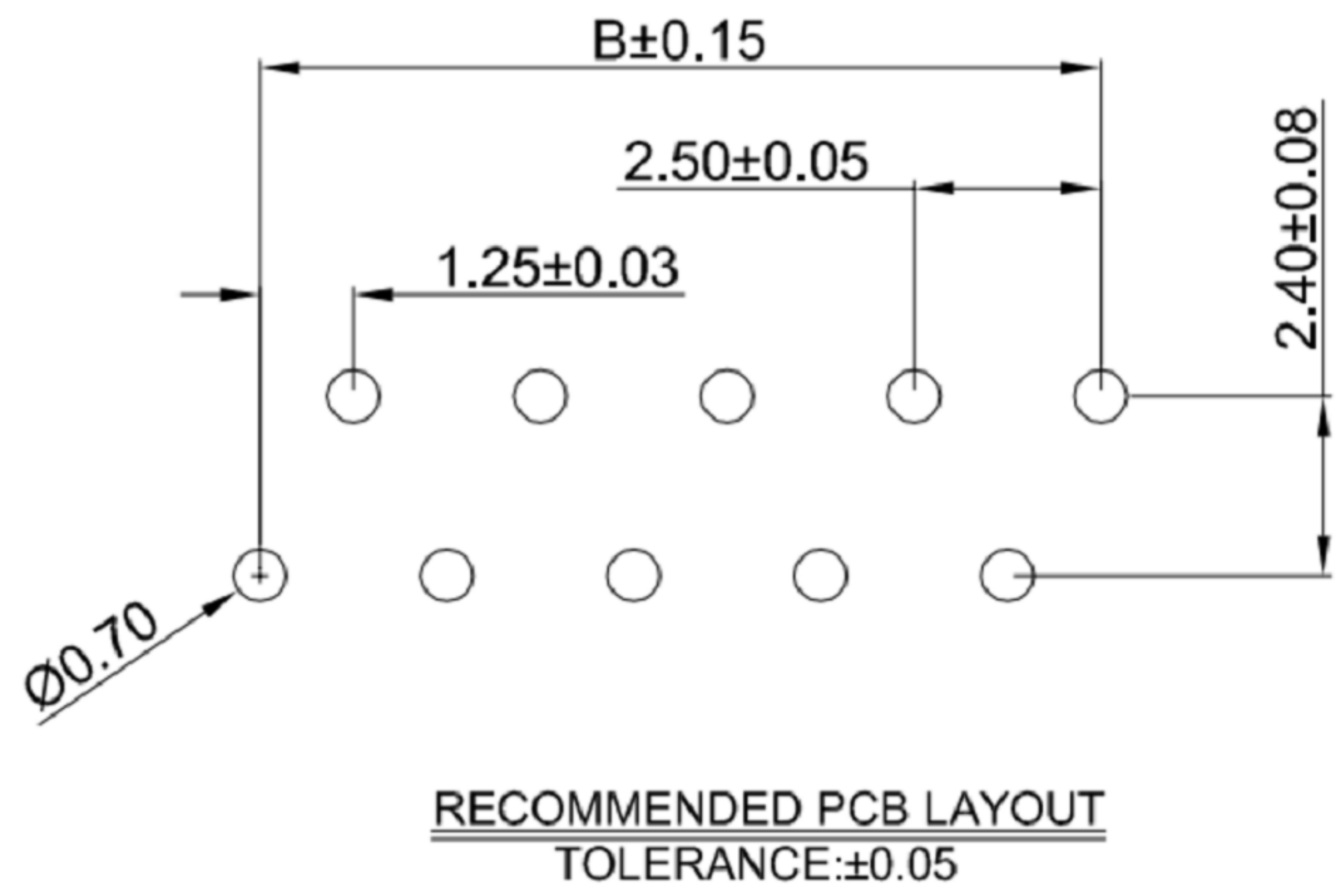
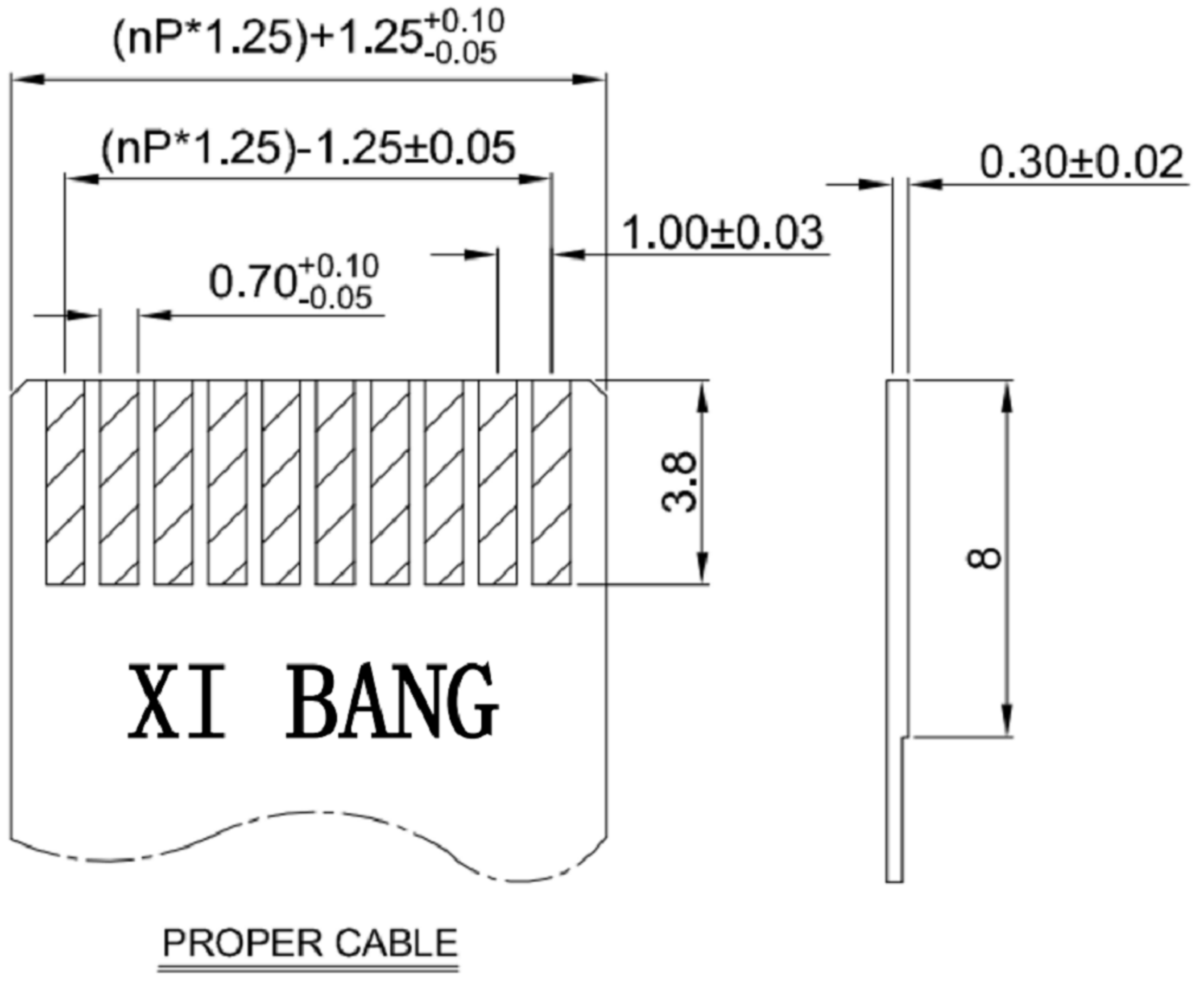
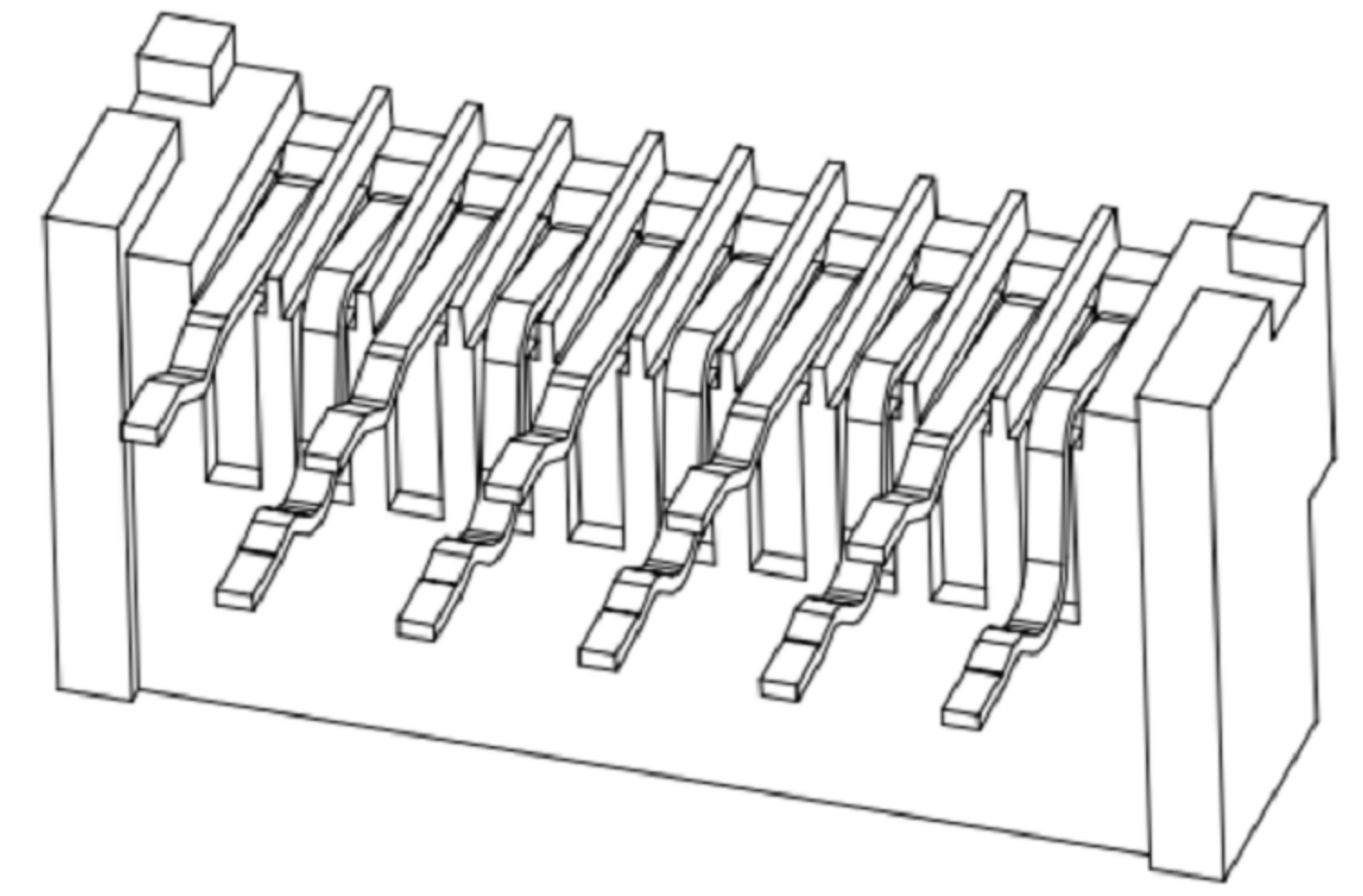
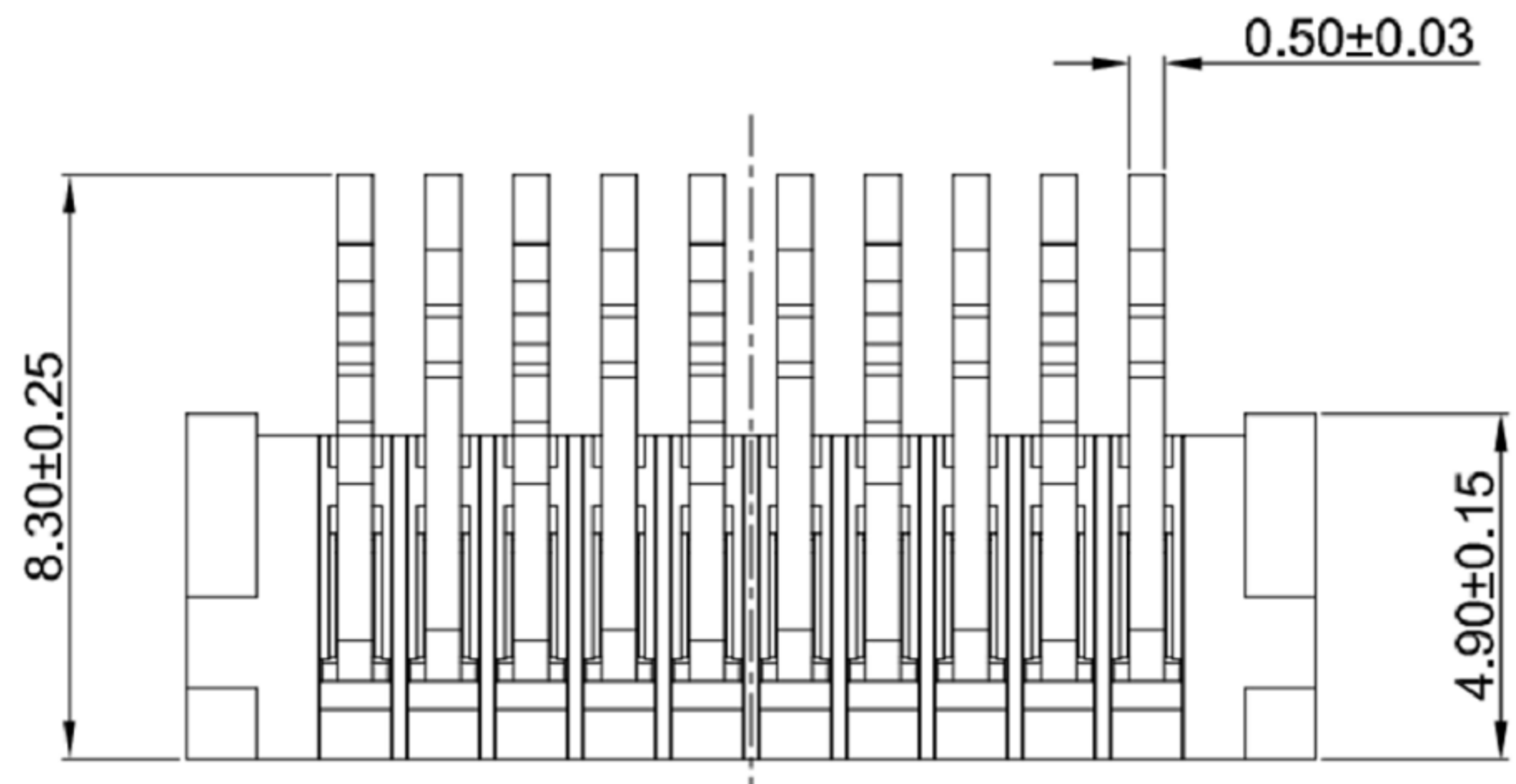
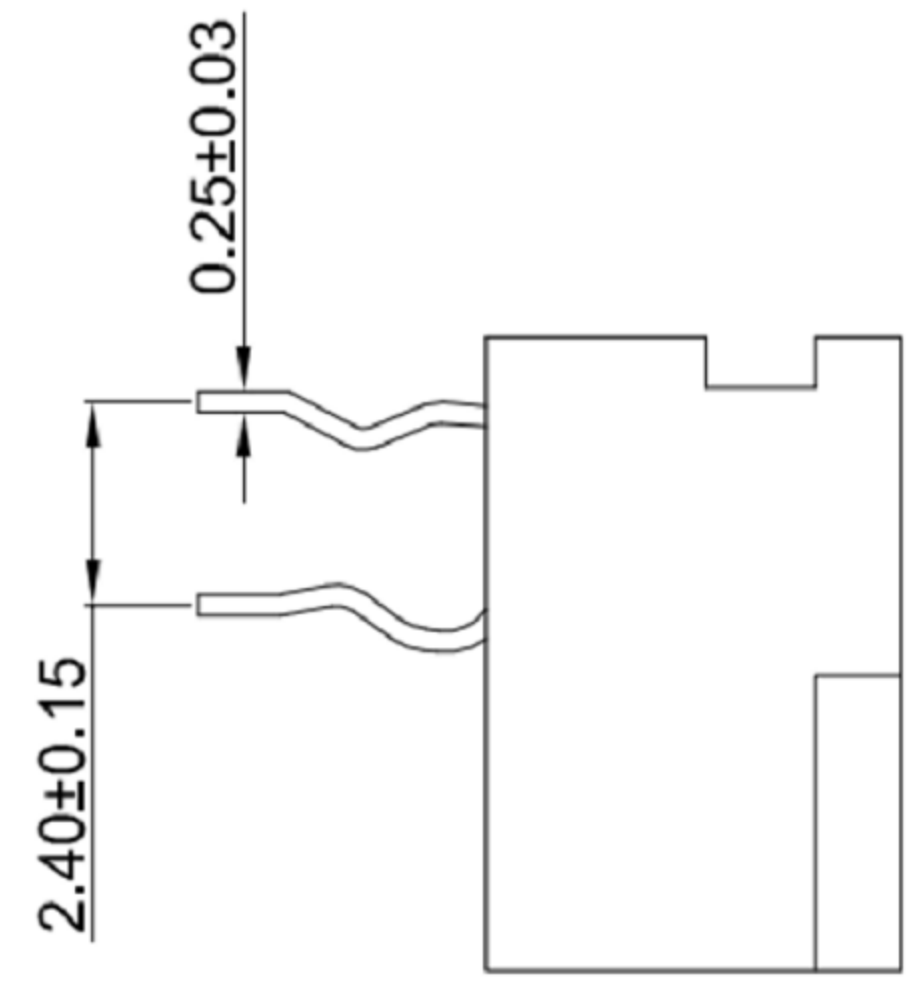
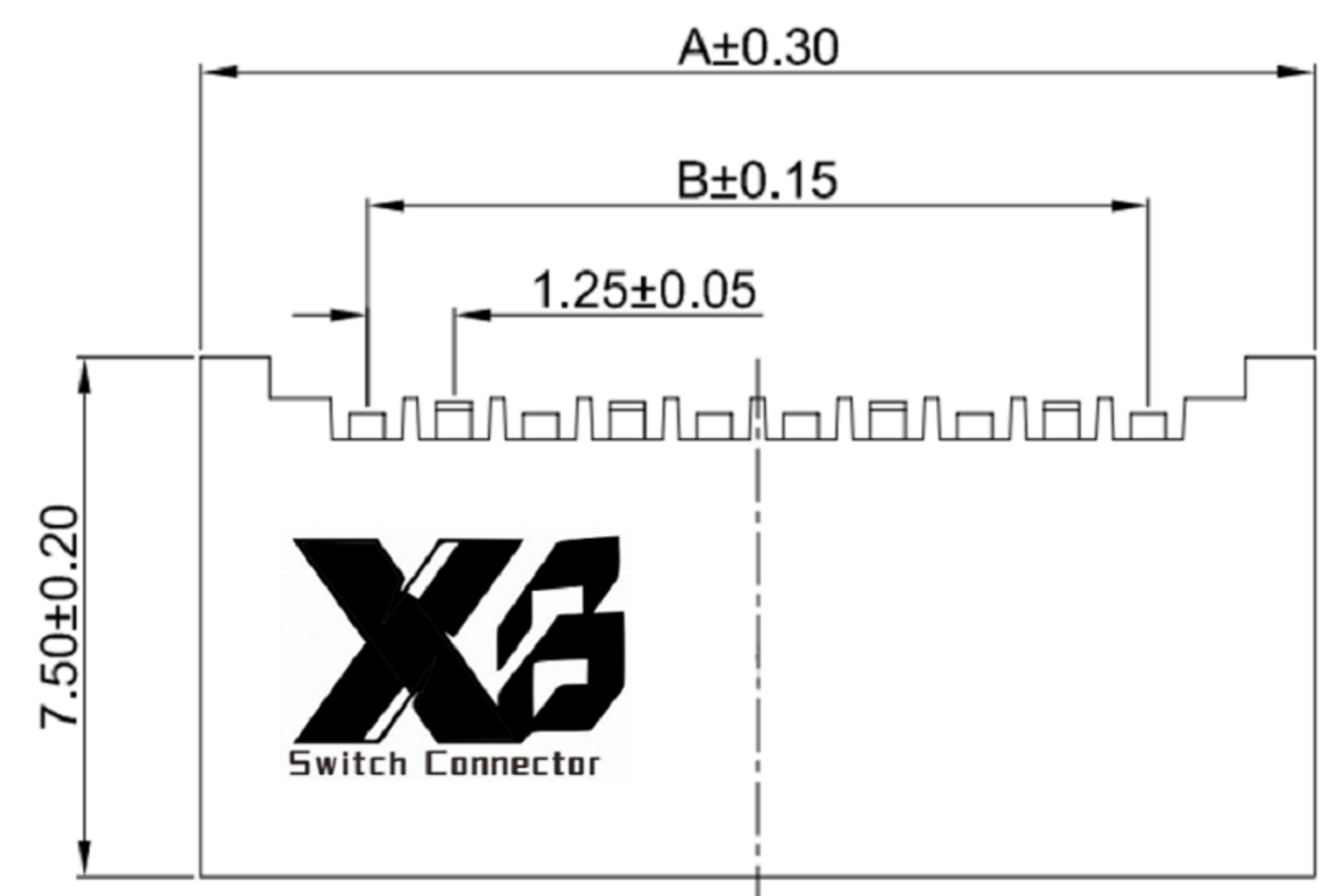
XB connector
Series No
Termipoint D-DIP
Angle R-90°
Terminal Plating BT-Bright Tin
Housing Colour S-Nature
Pin Q' PY 04~30
Height 49-4.90mm

XB-FPC specifications:

1. Current rated: 1.0A AC/DC
2. Voltage rating: 125V AC/DC
3. Withstanding voltage: 500V AC
4. Contact resistance: 50mΩ max.
5. Insulation resistance: 100MΩ min
6. Durability cycle: 50Cycles
7. Removal force: 0.70kgf/Pin min
8. Operating temperature range: -25°C ~ +85°C

Ordering Information:

Circuit	Dimensions(mm)			Circuit	Dimensions(mm)		
	A	B	C		A	B	C
04	8.55	3.75	6.65	18	26.05	21.25	24.15
05	9.80	5.00	7.90	19	27.30	22.50	25.40
06	11.05	6.25	9.15	20	28.55	23.75	26.65
07	12.30	7.50	10.40	21	29.80	25.00	27.90
08	13.55	8.75	11.65	22	31.05	26.25	29.15
09	14.80	10.00	12.90	23	32.30	27.50	30.40
10	16.05	11.25	14.15	24	33.55	28.75	31.65
11	17.30	12.50	15.40	25	34.80	30.00	32.90
12	18.55	13.75	16.65	26	36.05	31.25	34.15
13	19.80	15.00	17.90	27	37.30	32.50	35.40
14	21.05	16.25	19.15	28	38.55	33.75	36.65
15	22.30	17.50	20.40	29	39.80	35.00	37.90
16	23.55	18.75	21.65	30	41.05	36.25	39.15
17	24.80	20.00	22.90	--	--	--	--



XB 东莞市溪榜电子有限公司
DONG GUAN XI BANG ELECTRONICS CO., LTD.

TOLERANCE UNLESS OTHERWISE STATED:
 Up to 5 ±0.2
 Above 5 ~ 15 ±0.3
 Above 15 ~ 30 ±0.4
 Above 30 ~ 50 ±0.5
 Angle ±0.3°

3RD. ANGEL'S

UNITS MM

DRAWN BY: Jack Lu
 CHECKED BY: Jacky Chen
 APPROVED BY: Tony Kao

DATE: 03/10/22
 DATE: 03/10/22
 DATE: 03/10/22

MAT'L
 FINISH
 SCALE 1:1
 SHEET NO. 1 of 1

TITLE: CONNECTOR
 MODLE: FPC 1.25mm Pitch 90° Dip Double Row Single Sided Welding
 DWG NO.: XB-FPC-1252DR49-XXXXX01
 PART NO.:

SIZE: A4
 VER: R1

ITEM NO.	DESCRIPTION	DRAWN	DATE
1	更新圖面	Jack	031022