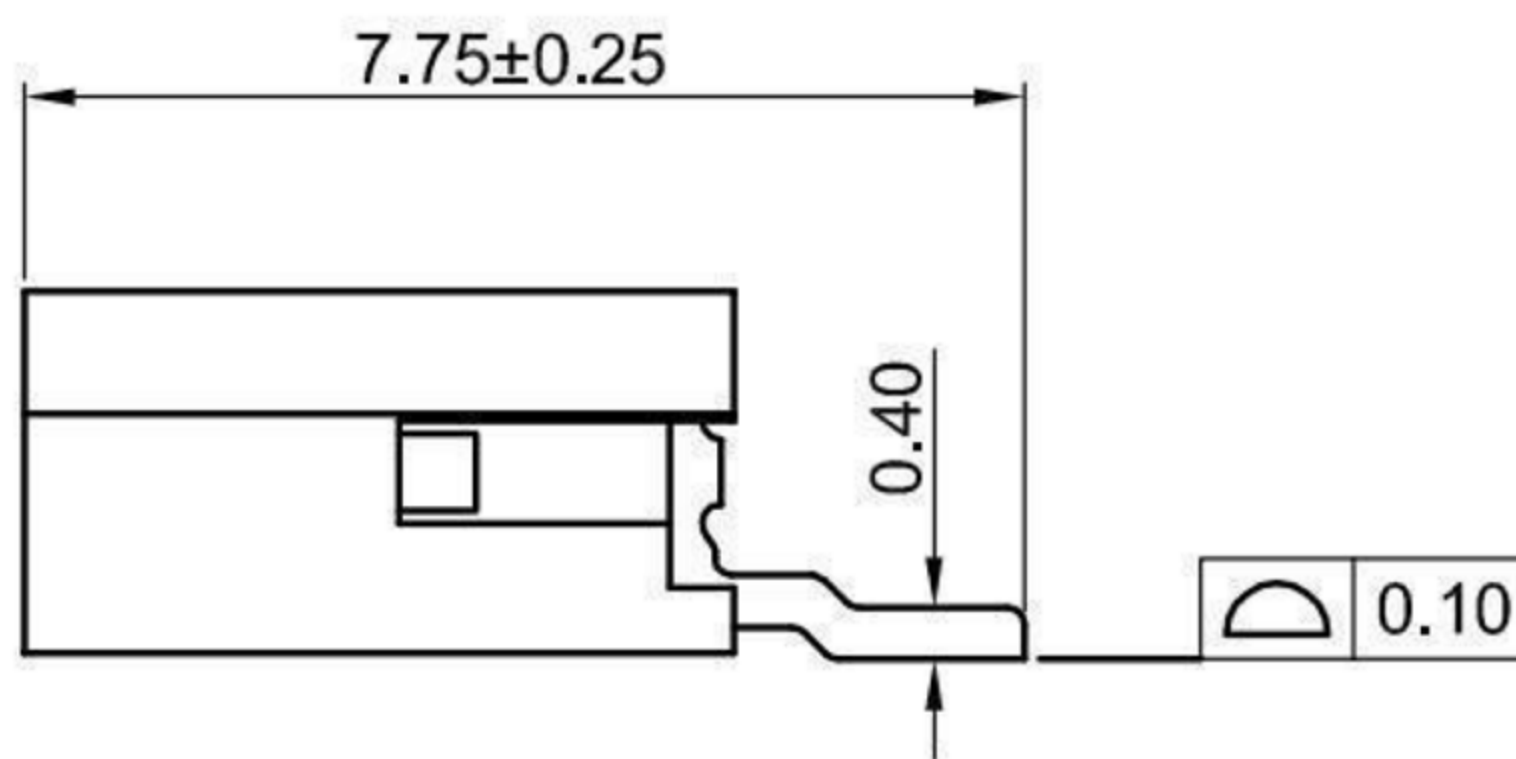
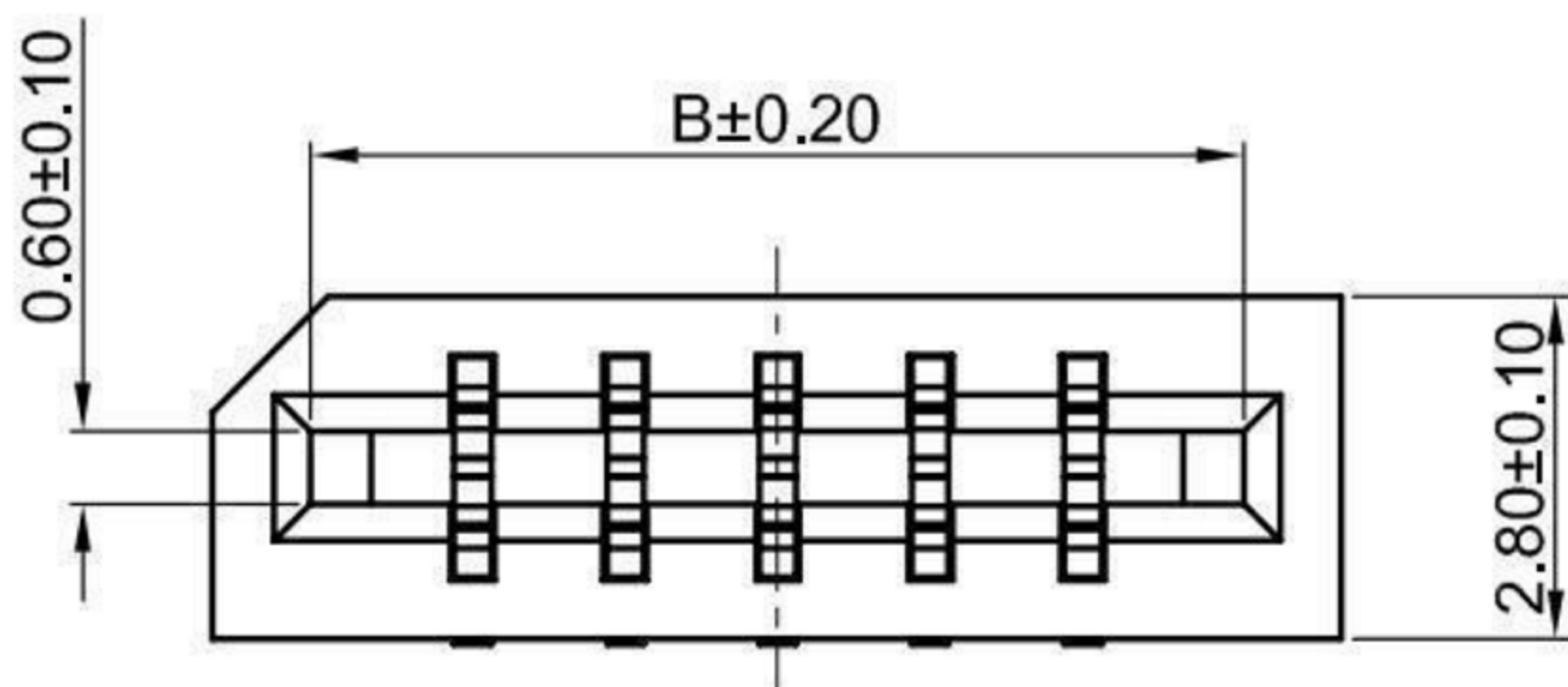
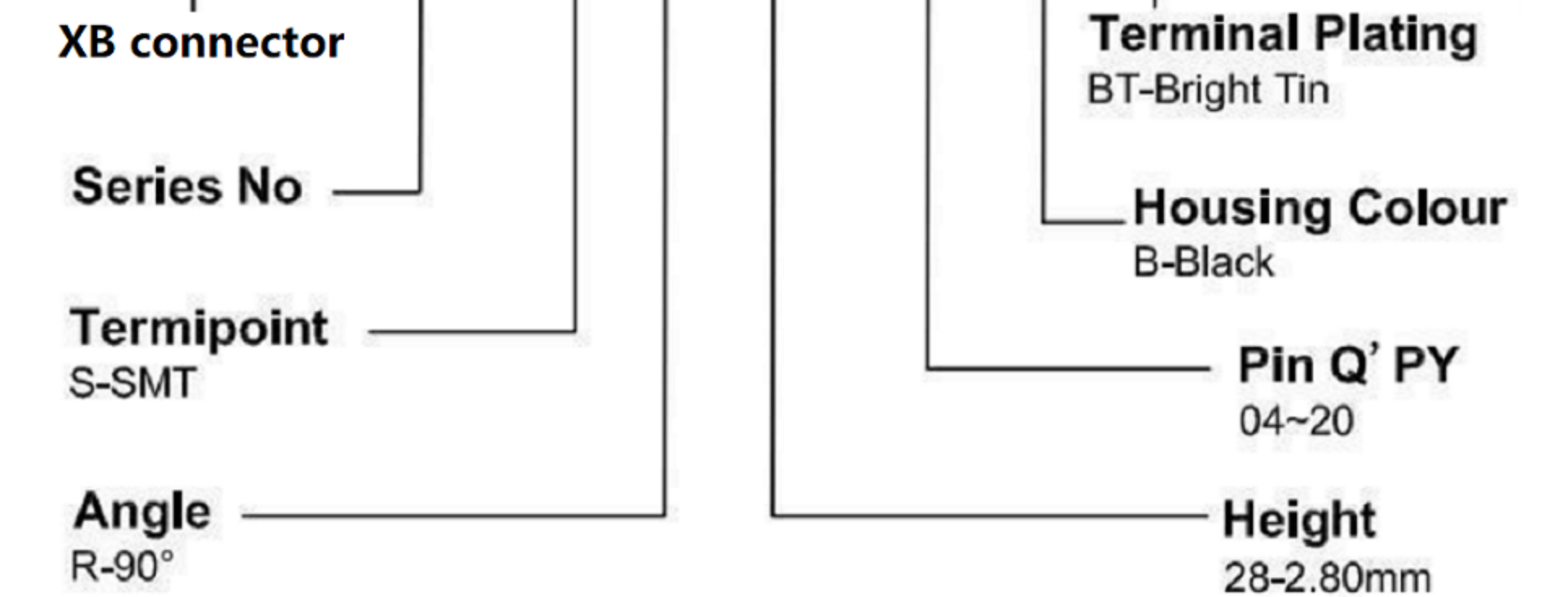
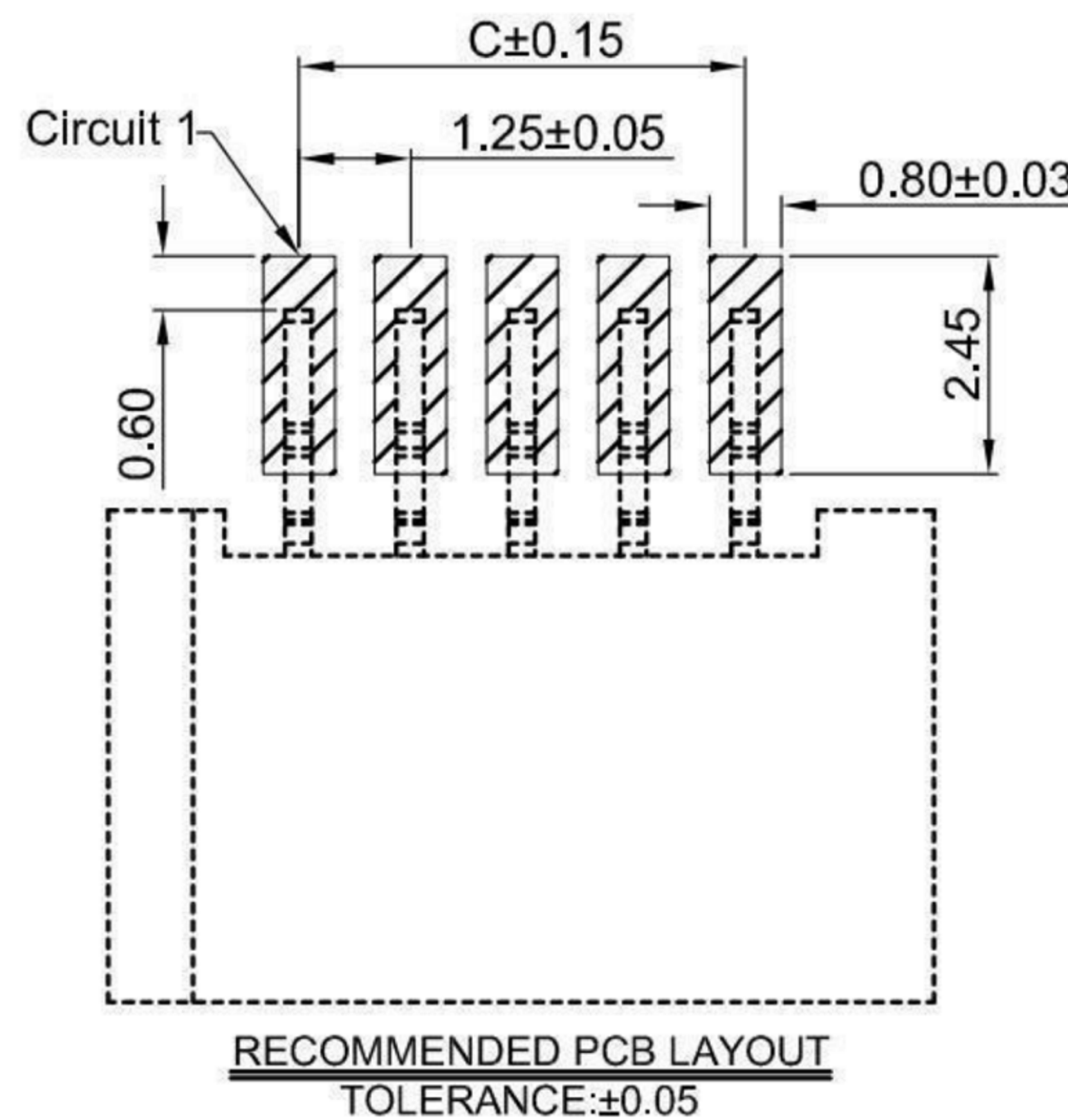
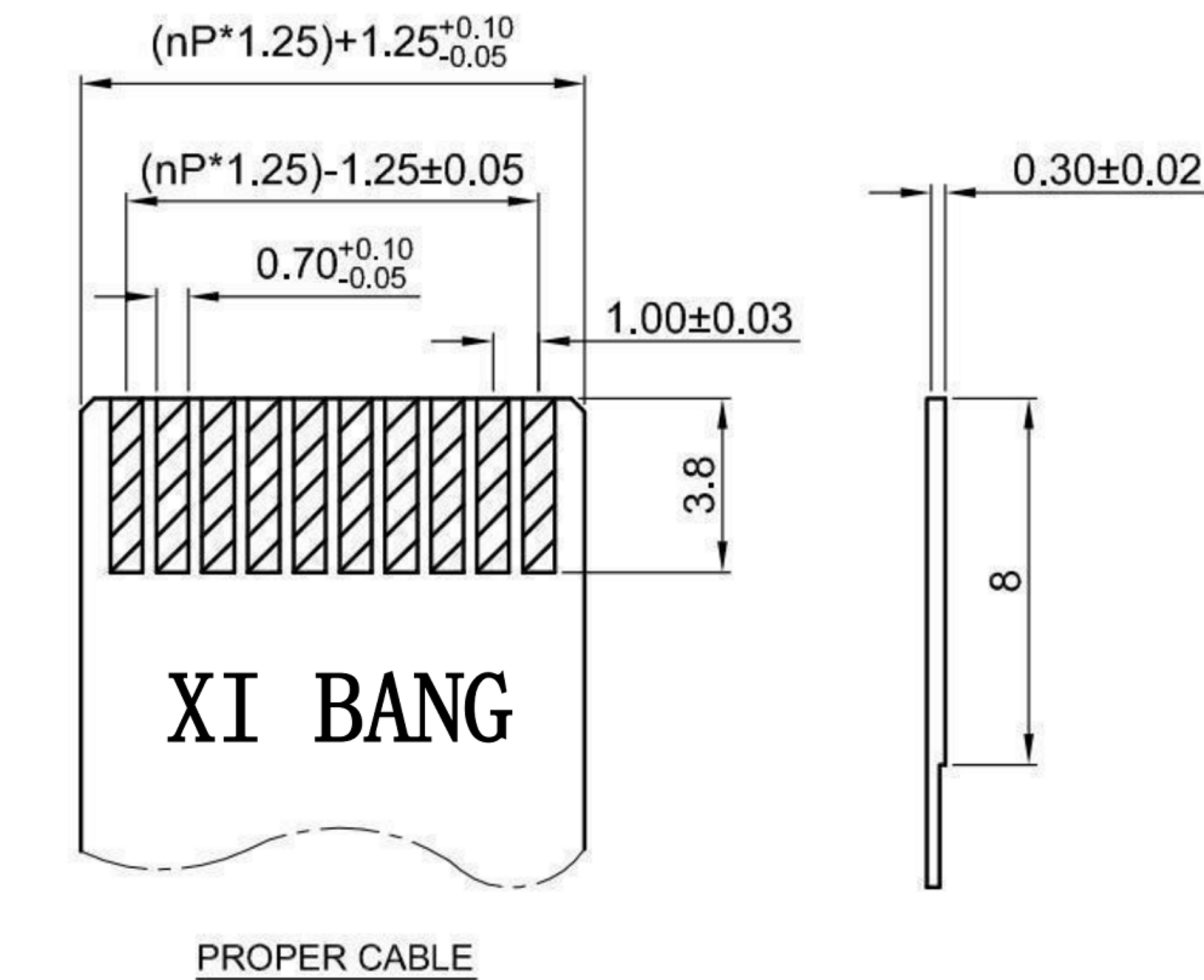


**XB-FPC - 1251 S R 28 -XX X XX 01**



**XB-FPC specifications:**

1. Current rated: 1.0A AC/DC
2. Voltage rating: 125V AC/DC
3. Withstanding voltage: 500V AC
4. Contact resistance: 50mΩ max.
5. Insulation resistance: 100MΩ min
6. Durability cycle: 20Cycles
7. Removal force: 0.05kgf/Pin min
8. Operating temperature range: -25°C ~ +85°C



**Ordering Information:**

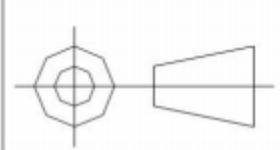
Circuit	Dimensions(mm)			Circuit	Dimensions(mm)		
	A	B	C		A	B	C
04	8.00	6.40	3.75	12	18.00	16.40	13.75
05	9.25	7.65	5.00	13	19.25	17.65	15.00
06	10.50	8.90	6.25	14	20.50	18.90	16.25
07	11.75	10.15	7.50	15	21.75	20.15	17.50
08	13.00	11.40	8.75	16	23.00	21.40	18.75
09	14.25	12.65	10.00	17	24.25	22.65	20.00
10	15.50	13.90	11.25	18	25.50	23.90	21.25
11	16.75	15.15	12.50	19	26.75	25.15	22.50
12	18.00	16.40	13.75	20	28.00	26.40	23.75

**XB 东莞市溪榜电子有限公司**  
**DONG GUAN XI BANG ELECTRONICS CO., LTD.**

TOLERANCE UNLESS OTHERWISE STATED:

Up to 5 ±0.2  
 Above 5 ~ 15 ±0.3  
 Above 15 ~ 30 ±0.4  
 Above 30 ~ 50 ±0.5  
 Angle ±0.3°

3RD. ANGEL'S



UNITS MM

DRAWN BY: Jack Lu DATE: 03/10/22  
 CHECKED BY: Jacky Chen DATE: 03/10/22  
 APPROVED BY: Tony Kao DATE: 03/10/22

MAT'L TITLE CONNECTOR  
 FINISH MODLE FPC Pitch 1.25mm 90° Right SMT Single Row Double Sided Welding  
 SCALE 1 : 1 DWG NO. XB-FPC-1251SR28-XXXXX01  
 SHEET NO. 1 of 1 PART NO.

SIZE A4  
 VER R1

ITEM NO.	DESCRIPTION	DRAWN	DATE
1	更新圖面	Jack	031022