



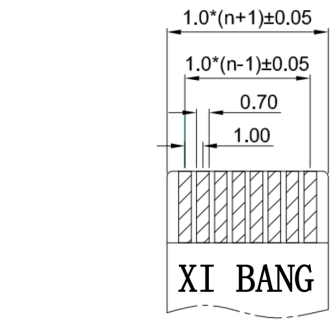
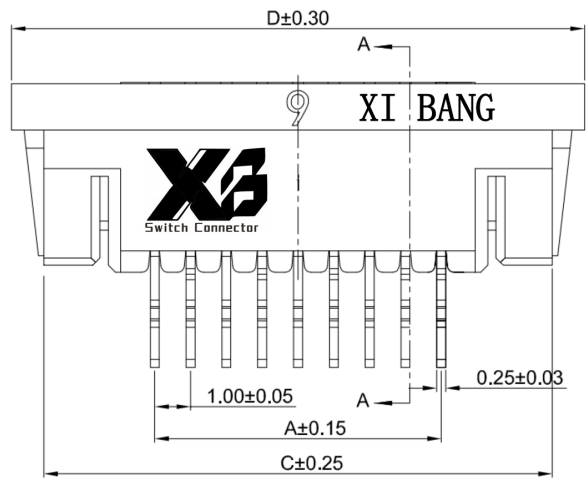
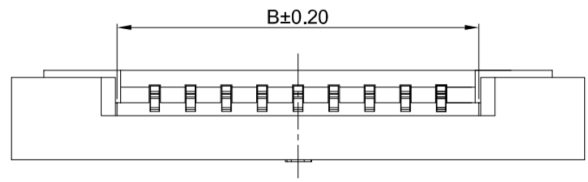
**XB-FPC -1014 D V 53 -XX X XX 01**

**XB connector**  
**Series No**  
**Termipoint** D-DIP  
**Angle** V-180°  
**Terminal Plating** BT-Bright Tin  
**Housing Colour** S-Nature  
**Pin Q' PY** 04~36  
**Height** 53-5.30mm

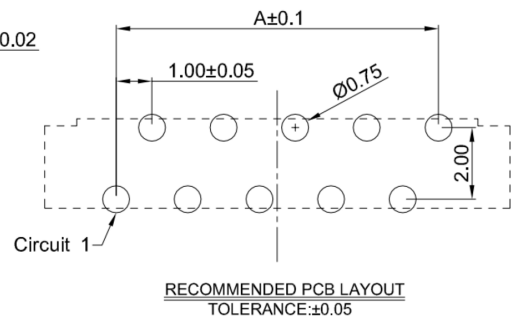
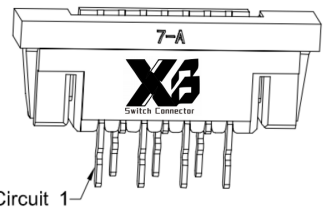
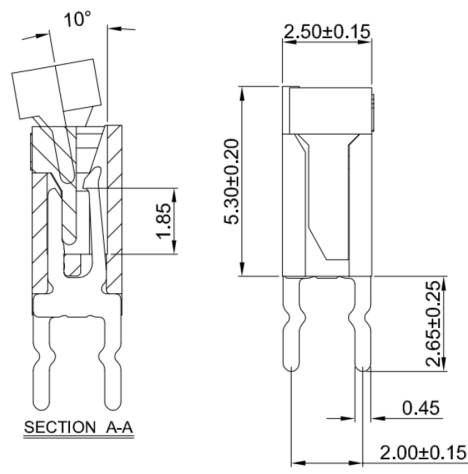
- XB-FPC specifications:**
1. Current rated: 0.5A AC/DC
  2. Voltage rating: 50V AC/DC
  3. Withstanding voltage: 200V AC
  4. Contact resistance: 20mΩ max.
  5. Insulation resistance: 500MΩ min
  6. Durability cycle: 20Cycles
  7. Removal force: 0.05kgf/Pin min
  8. Operating temperature range: -25°C ~ +85°C

**Ordering Information:**

Circuit	Dimensions(mm)			
	A	B	C	D
04	3.00	5.15	9.20	11.10
05	4.00	6.15	10.20	12.10
07	6.00	8.15	12.20	14.10
09	8.00	10.15	14.20	16.10
11	10.00	12.15	16.20	18.10
13	12.00	14.15	18.20	20.10
17	16.00	18.15	22.20	24.10
19	18.00	20.15	24.20	26.10
21	20.00	22.15	26.20	28.10
23	22.00	24.15	28.20	30.10
27	26.00	28.15	32.20	34.10
31	30.00	32.15	36.20	38.10
32	31.00	33.15	37.20	39.10
33	32.00	34.15	38.20	40.10
34	33.00	35.15	39.20	41.10
35	34.00	36.15	40.20	42.10
36	35.00	37.15	41.20	43.10



PROPER CABLE (SCALE 2:1)



**XB** 东莞市溪榜电子有限公司  
 DONG GUAN XI BANG ELECTRONICS CO., LTD.

TOLERANCE UNLESS OTHERWISE STATED:  
 Up to 5 ±0.2  
 Above 5 ~ 15 ±0.3  
 Above 15 ~ 30 ±0.4  
 Above 30 ~ 50 ±0.5  
 Angle ±0.3°

3RD. ANGEL'S



UNITS

MM

DRAWN BY: Jack Lu  
 CHECKED BY: Jacky Chen  
 APPROVED BY: Tony Kao  
 DATE: 03/10/22

MAT'L		TITLE	CONNECTOR
FINISH		MODLE	FPC 1.00mm Pitch 180° DIP Double Row Single Sided Welding Bottom Contacts
SCALE	1 : 1	DWG NO.	XB-FPC-1014DV53-XXXXX01
SHEET NO.	1 of 1	PART NO.	

1	更新圖面	Jack	031022
ITEM NO.	DESCRIPTION	DRAWN	DATE

SIZE A4  
 VER R1