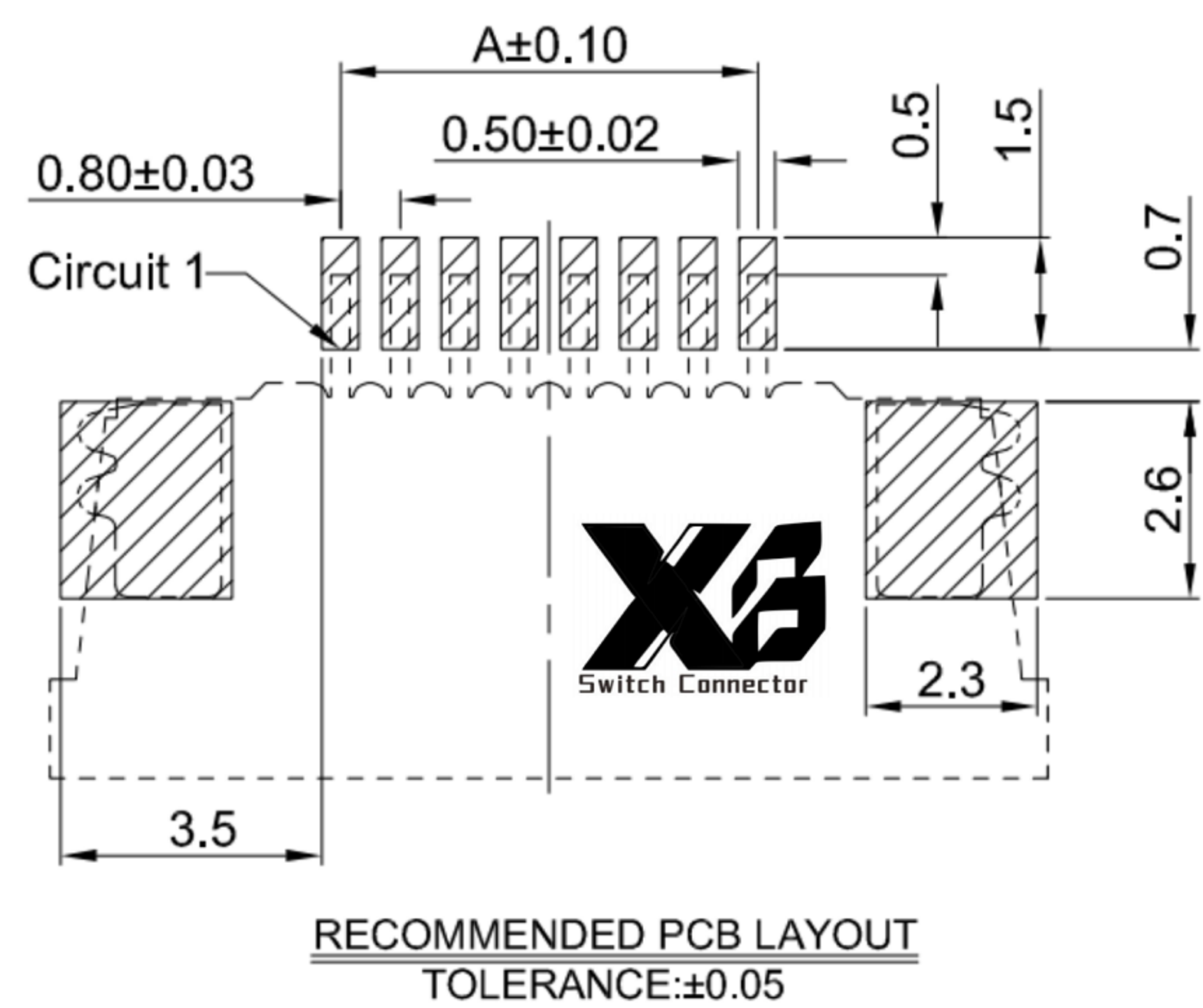
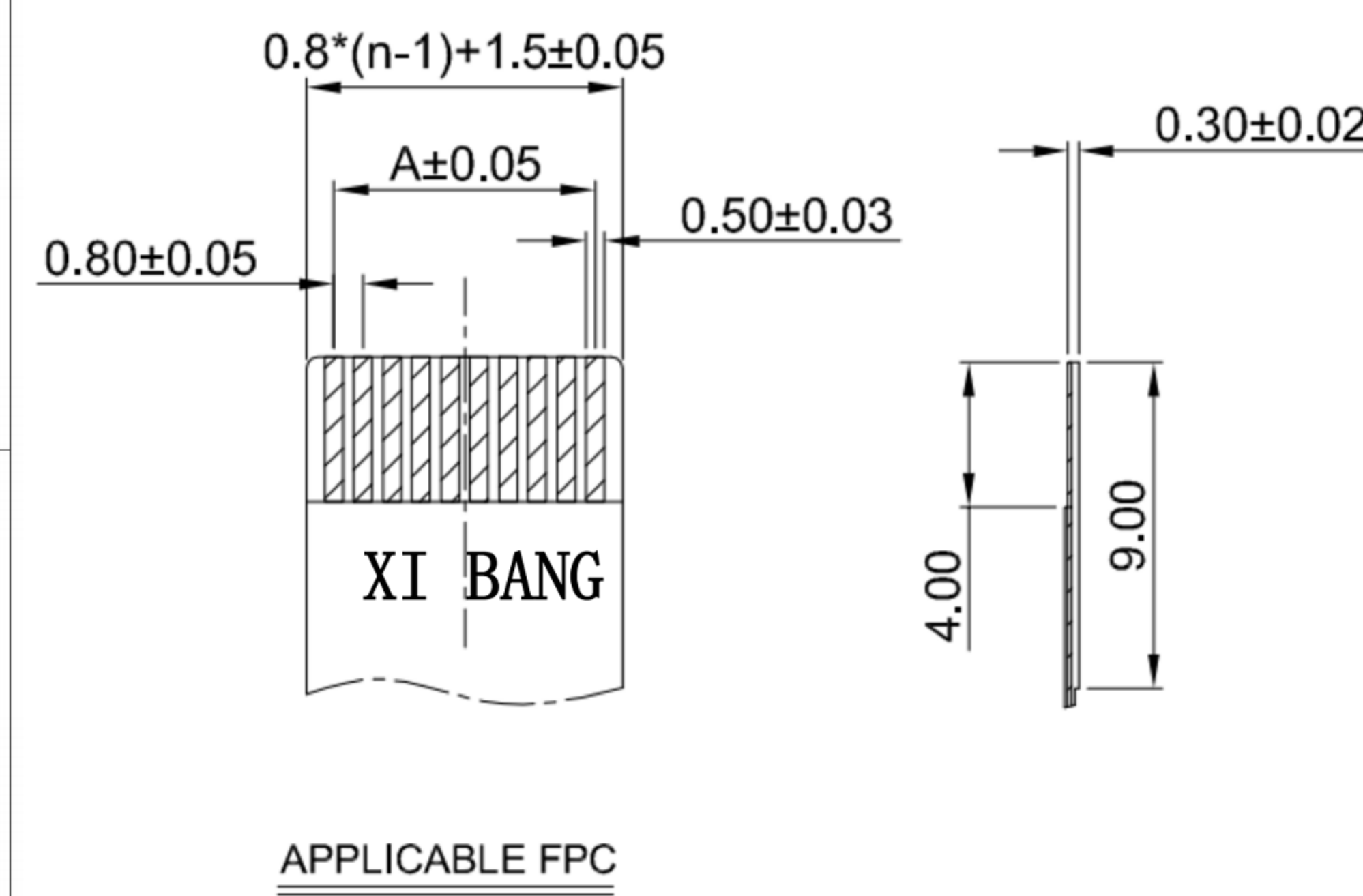
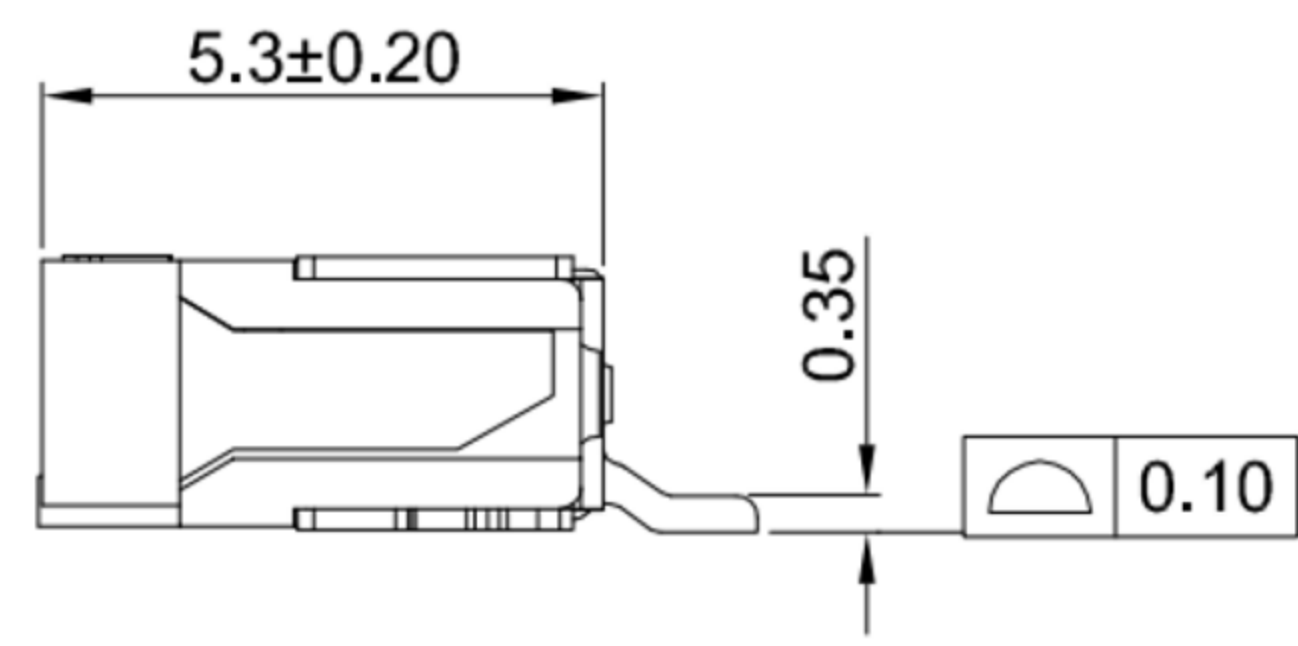
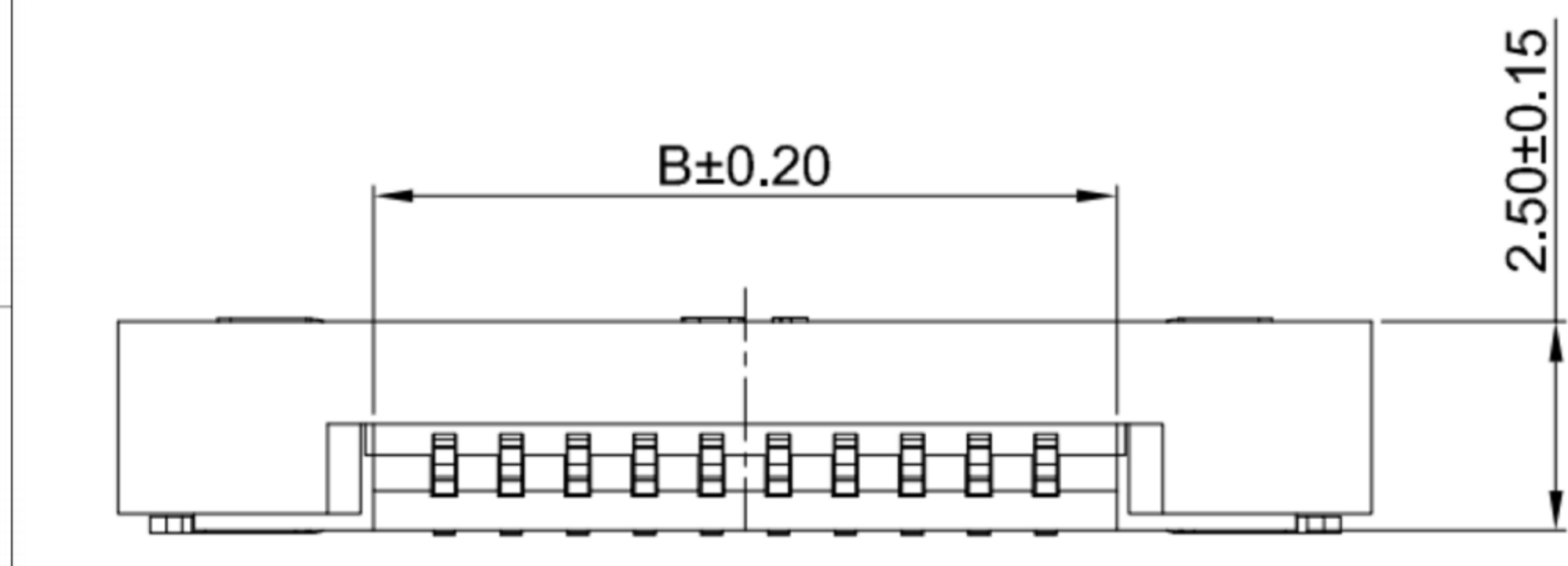


XB-FPC -0802 S R 25 -XX X XX 02

XB connector
 Series No
 Termpoint S-SMT
 Angle R-90°
 Terminal Plating BT-Bright Tin
 Housing Colour S-Nature
 Pin Q' PY 04~35
 Height 25-2.50mm

XB-FPC specifications:

1. Current rated: 0.4A AC/DC
2. Voltage rating: 50V AC/DC
3. Withstanding voltage: 200V AC for 1 min
4. Contact resistance: 20mΩ max.
5. Insulation resistance: 500MΩ min
6. Durability cycle: 20Cycles
7. Removal force: 0.05kgf/Pin min
8. Operating temperature range: -25°C ~ +85°C



Ordering Information:

Circuit	Dimensions(mm)				Circuit	Dimensions(mm)			
	A	B	C	D		A	B	C	D
04	2.40	4.00	9.60	10.30	20	15.20	16.80	22.40	23.10
05	3.20	4.80	10.40	11.10	21	16.00	17.60	23.20	23.90
06	4.00	5.60	11.20	11.90	22	16.80	18.40	24.00	24.70
07	4.80	6.40	12.00	12.70	23	17.60	19.20	24.80	25.50
08	5.60	7.20	12.80	13.50	24	18.40	20.00	25.60	26.30
09	6.40	8.00	13.60	14.30	25	19.20	20.80	26.40	27.10
10	7.20	8.80	14.40	15.10	26	20.00	21.60	27.20	27.90
11	8.00	9.60	15.20	15.90	27	20.80	22.40	28.00	28.70
12	8.80	10.40	16.00	16.70	28	21.60	23.20	28.80	29.50
13	9.60	11.20	16.80	17.50	29	22.40	24.00	29.60	30.30
14	10.40	12.00	17.60	18.30	30	23.20	24.80	30.40	31.10
15	11.20	12.80	18.40	19.10	31	24.00	25.60	31.20	31.90
16	12.00	13.60	19.20	19.90	32	24.80	26.40	32.00	32.70
17	12.80	14.40	20.00	20.70	33	25.60	27.20	32.80	33.50
18	13.60	15.20	20.80	21.50	34	26.40	28.00	33.60	34.30
19	14.40	16.00	21.60	22.30	35	27.20	28.80	34.40	35.10

XB 东莞市溪榜电子有限公司
DONG GUAN XI BANG ELECTRONICS CO., LTD.

TOLERANCE UNLESS OTHERWISE STATED:
 Up to 5 ±0.2
 Above 5 ~ 15 ±0.3
 Above 15 ~ 30 ±0.4
 Above 30 ~ 50 ±0.5
 Angle ±0.3°

3RD. ANGEL'S

UNITS MM

DRAWN BY:	DATE	MAT'L	TITLE	CONNECTOR
Jack Lu	03/10/22			
CHECKED BY:	DATE	FINISH	MODLE	FPC 0.80mm Pitch 90° H2.5mm SMT Type Bottom Contact Drawer
Jacky Chen	03/10/22			
APPROVED BY:	DATE	SCALE	DWG NO.	XB-FPC-0802SR25
Tony Kao	03/10/22	1:1	PART NO.	
		SHEET NO.	1 of 1	

1	更新圖面	Jack	031022
ITEM NO.	DESCRIPTION	DRAWN	DATE