



XB-FPC - 0513 S R 10 -XX X XX 01

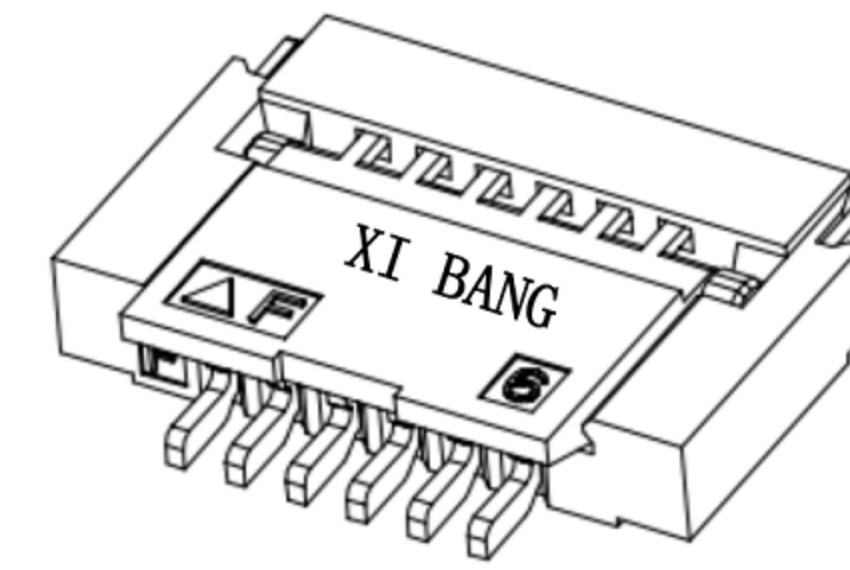
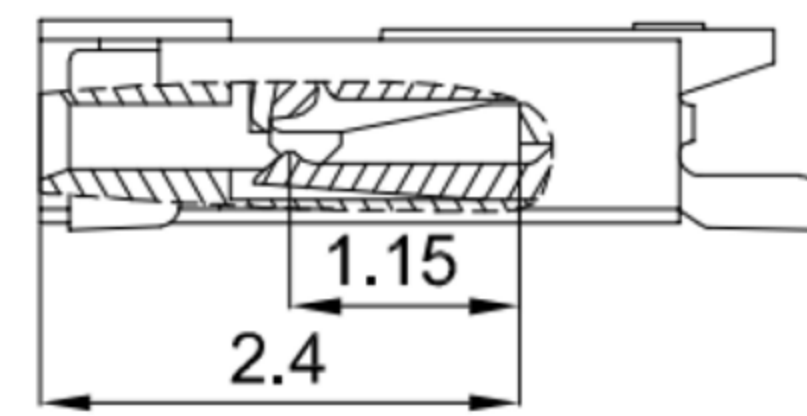
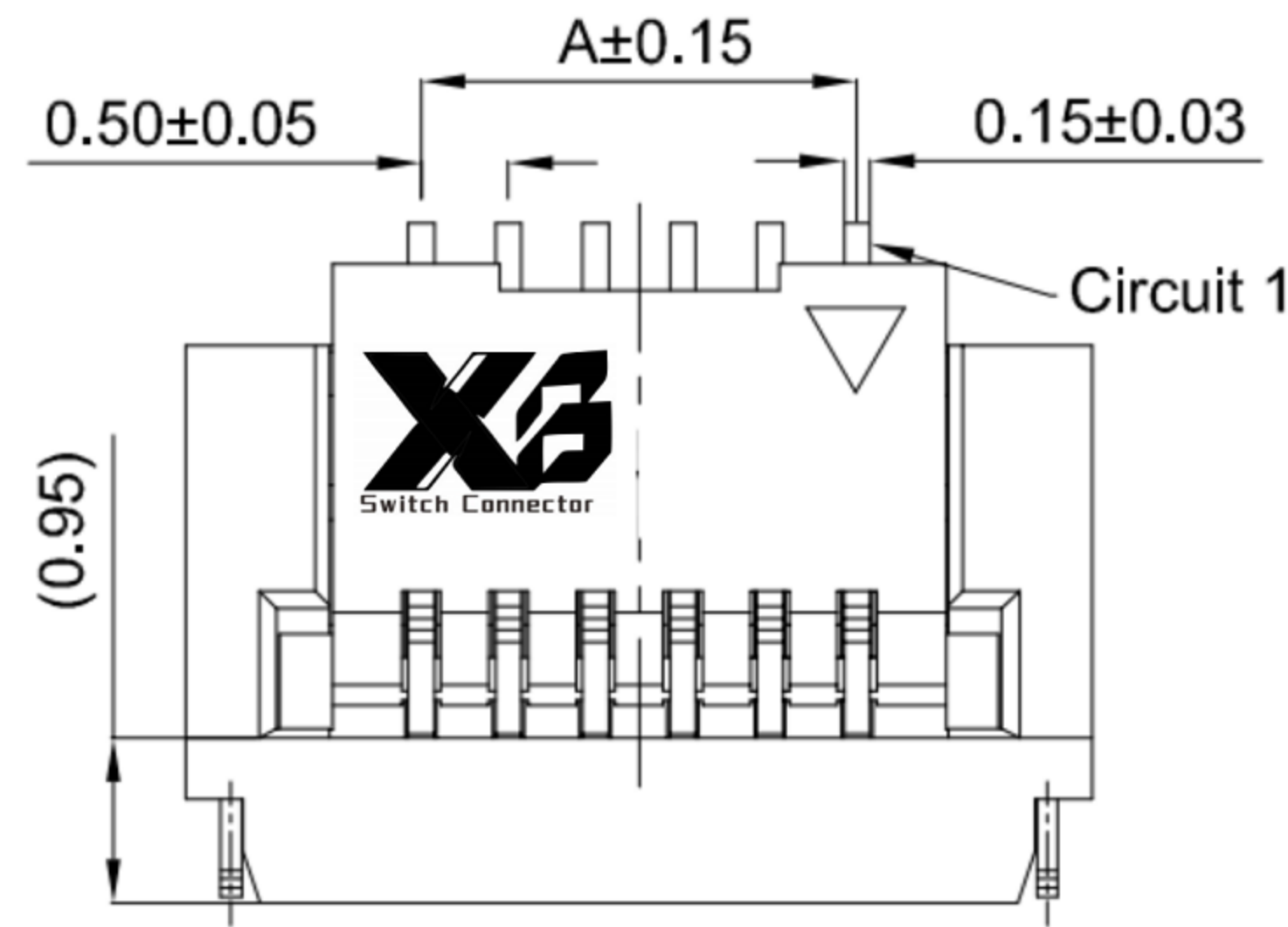
XB connector
Series No
Termipoint S-SMT
Angle R-90°
Terminal Plating 01-G/F
Housing Colour S-Nature
Pin Q' PY 04~10
Height 10-1.05mm

XB-FPC specifications:

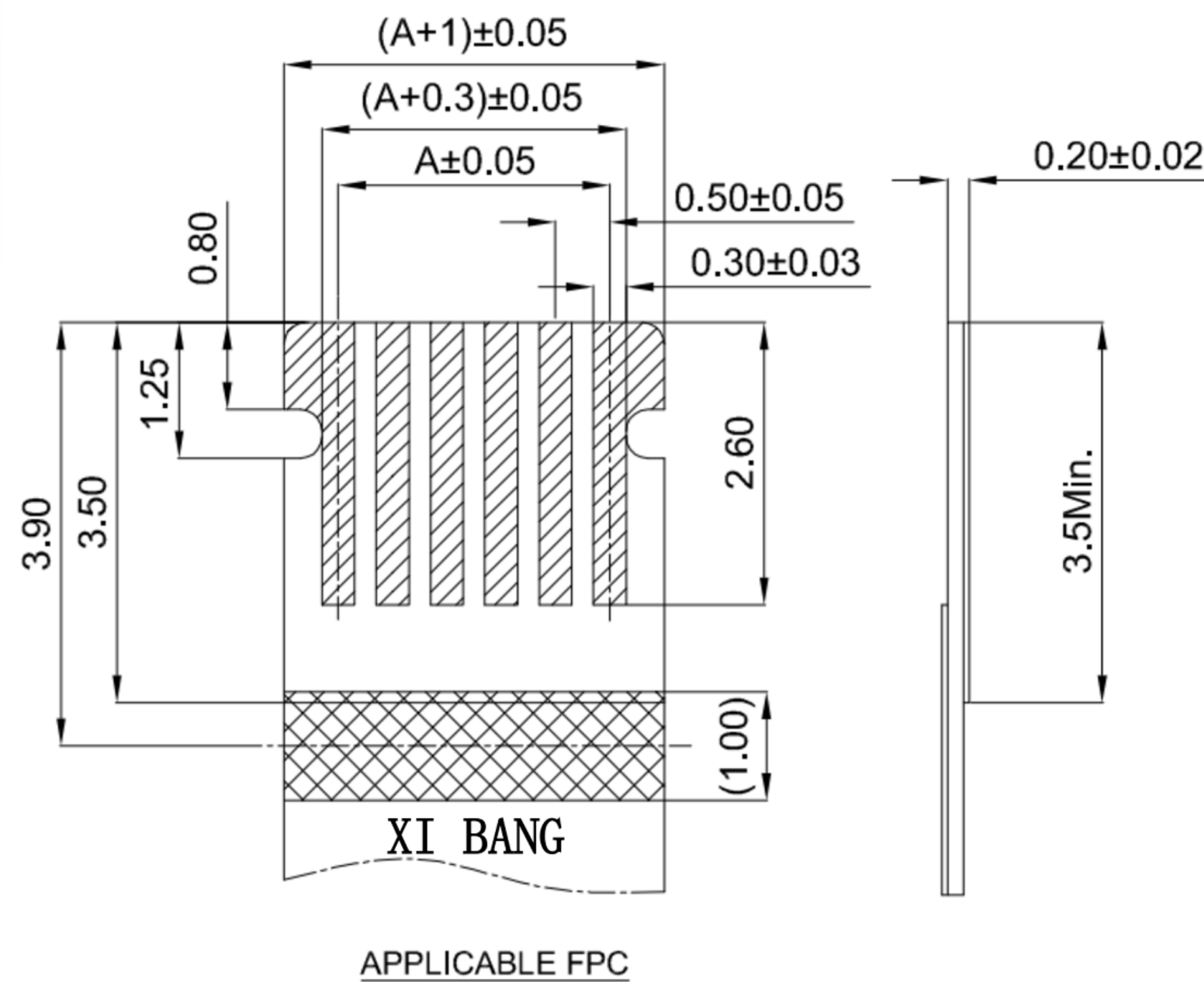
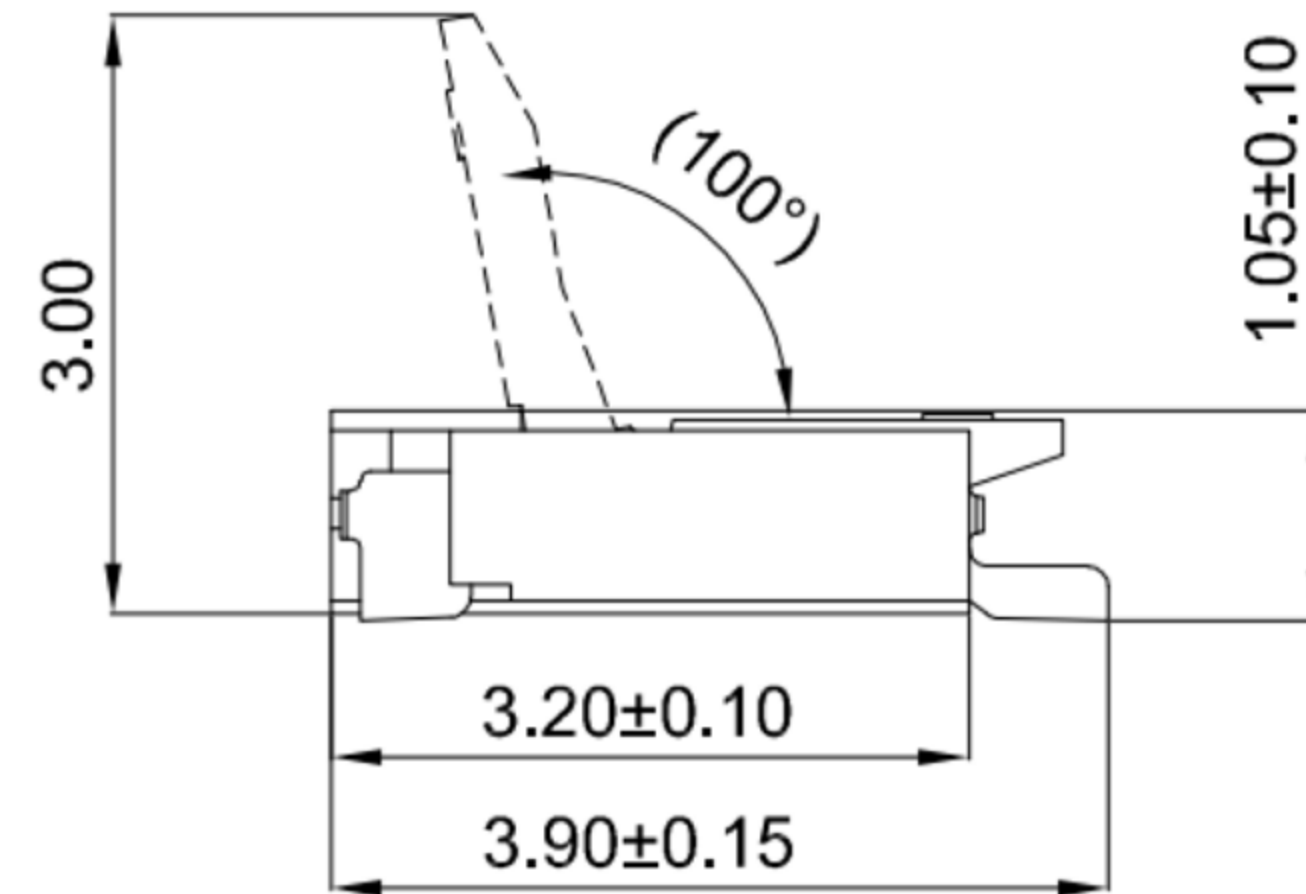
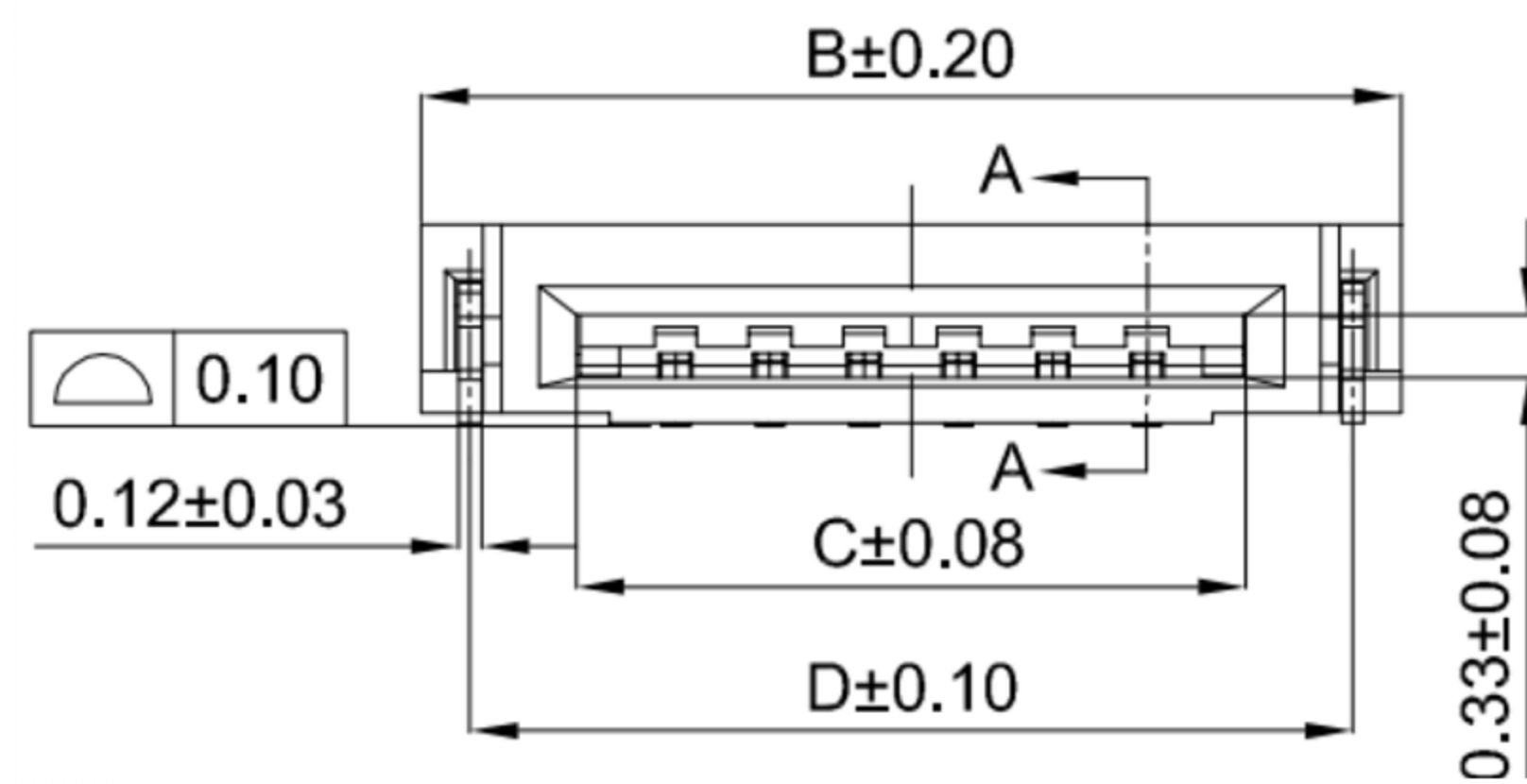
- 1.Current rated: 0.5A AC/DC
- 2.Voltage rating: 50V AC/DC
- 3.Withstanding voltage: 250V AC
- 4.Contact resistance: 30mΩ max.
- 5.Insulation resistance: 100MΩ min
- 6.Durability cycle: 20Cycles
- 7.Removal force: 0.03kgf/Pin min
- 8.Operating temperature range: -25°C ~ +85°C

Ordering Information:

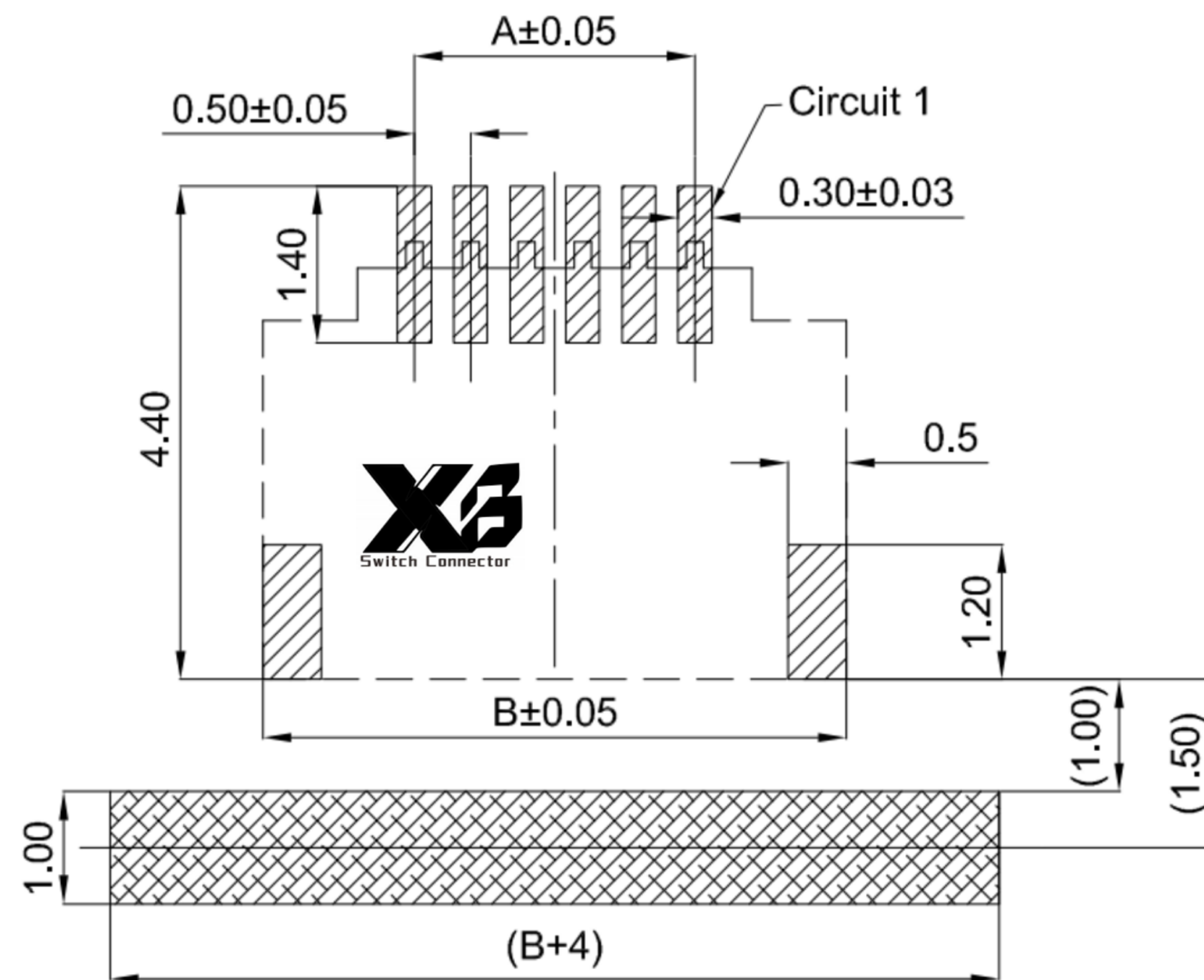
Circuit	Dimensions(mm)			
	A	B	C	D
4	1.50	4.20	2.55	3.68
6	2.50	5.20	3.55	4.68
10	4.50	7.20	5.55	6.68



SECTION: A-A



APPLICABLE FPC



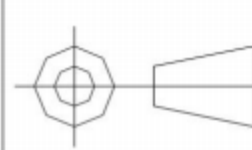
RECOMMENDED PCB LAYOUT
TOLERANCE:±0.05

XB 东莞市溪榜电子有限公司
 DONG GUAN XI BANG ELECTRONICS CO., LTD.

TOLERANCE UNLESS OTHERWISE STATED:

Up to 5 ±0.2
 Above 5 ~ 15 ±0.3
 Above 15 ~ 30 ±0.4
 Above 30 ~ 50 ±0.5
 Angle ±0.3°

3RD. ANGEL'S



UNITS MM

DRAWN BY: Jack Lu
 DATE: 03/10/22
 CHECKED BY: Jacky Chen
 DATE: 03/10/22
 APPROVED BY: Tony Kao
 DATE: 03/10/22

MAT'L
 FINISH
 SCALE: 1:1
 SHEET NO. 1 of 1

TITLE: CONNECTOR
 MODLE: FPC 0.50mm Pitch 90° H1.00mm SMT Type Connector
 DWG NO.: XB-FPC-0513SR10
 PART NO.:

SIZE: A4
 VER: R1

ITEM NO.	DESCRIPTION	DRAWN	DATE
1	更新圖面	Jack	031022