

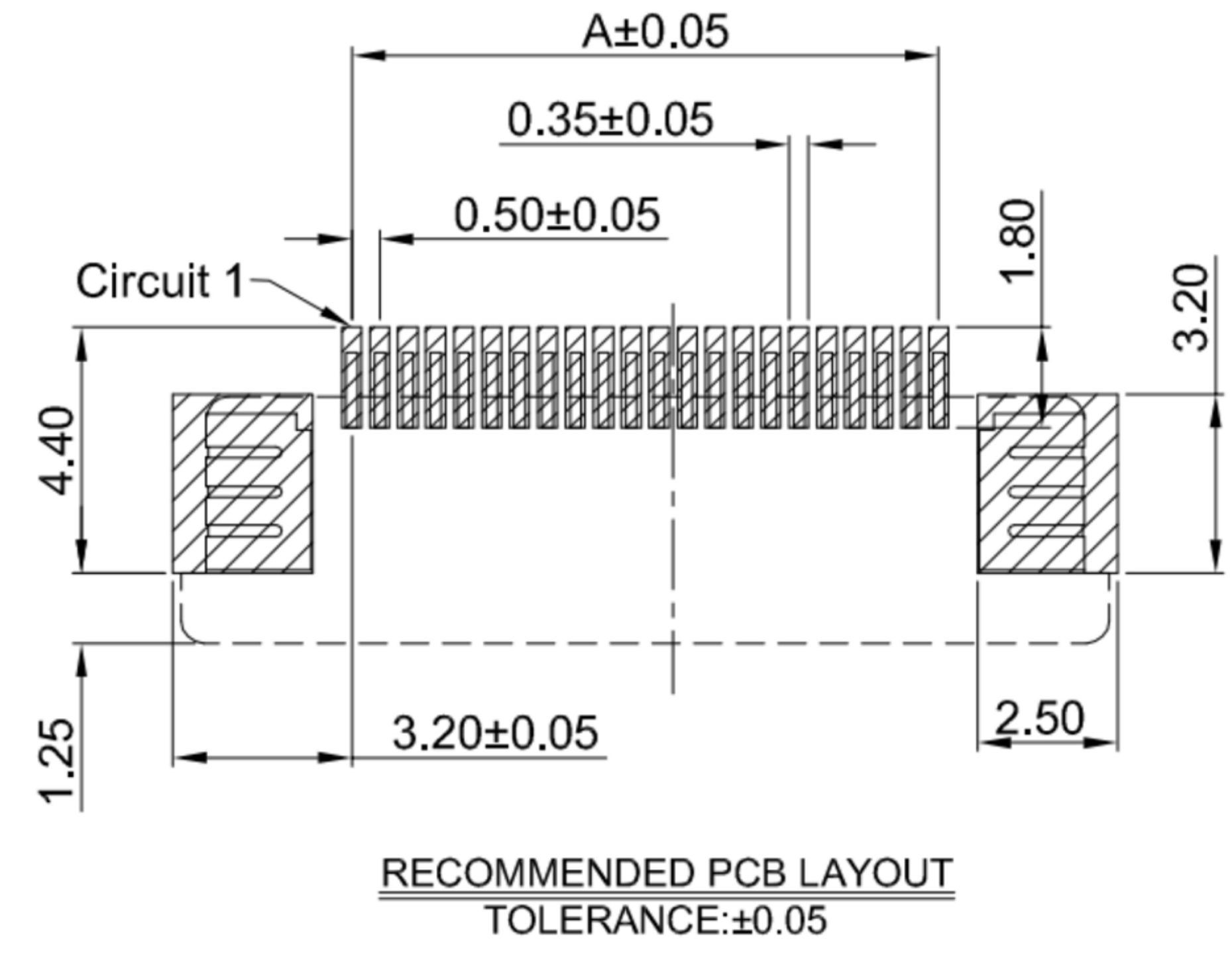
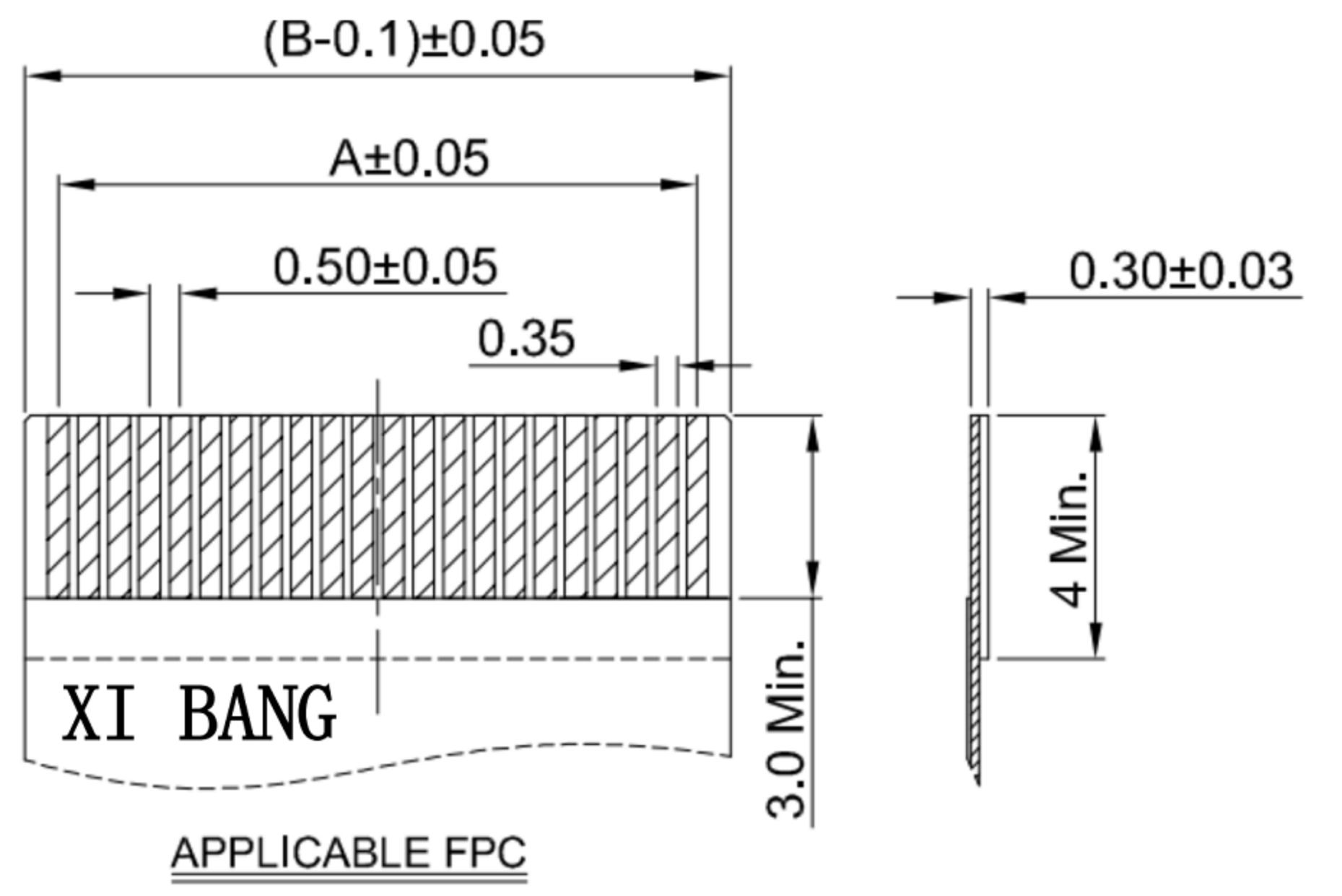
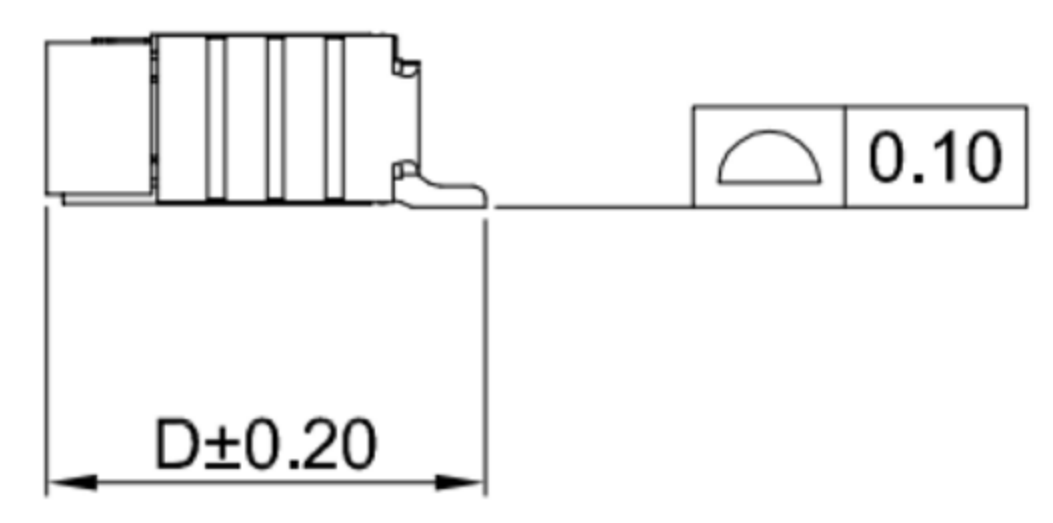
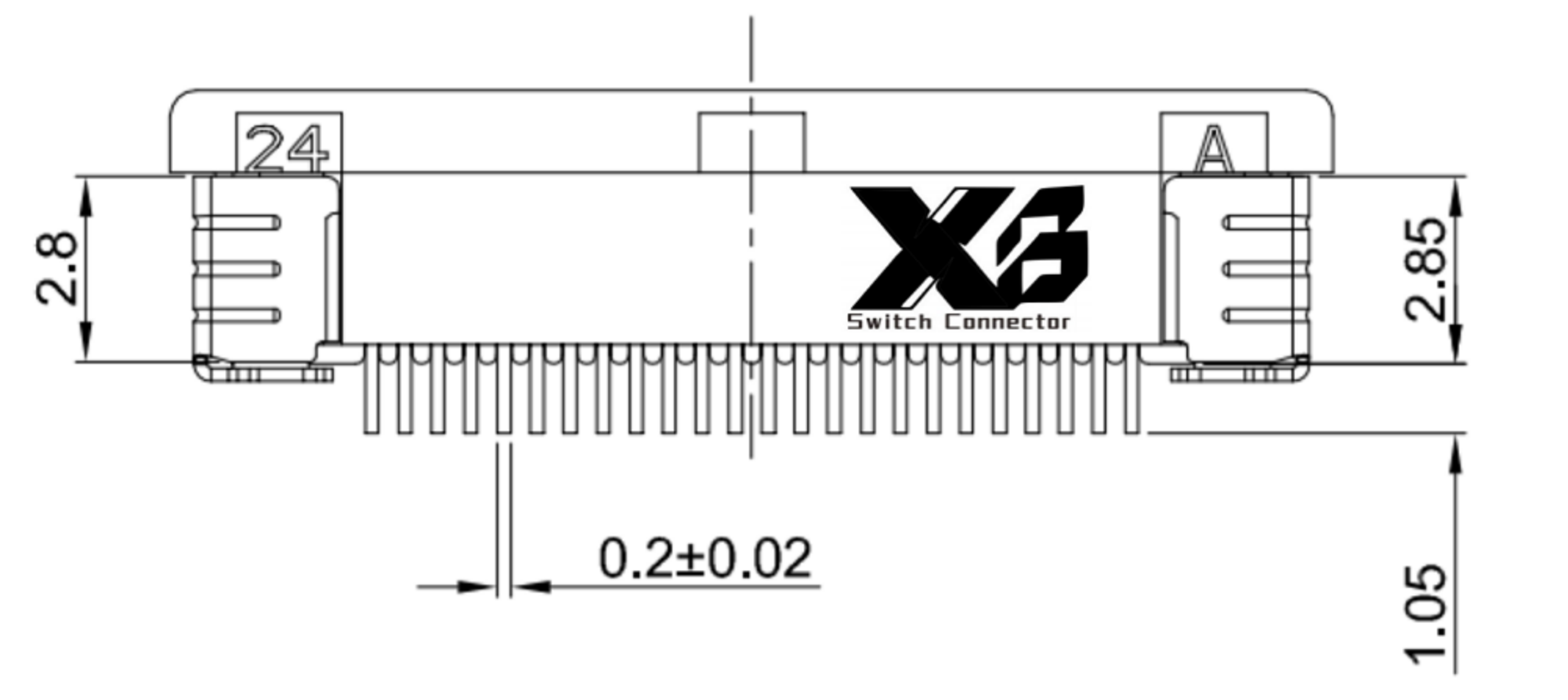
XB-FPC - 0504 S R 20 -XX X XX 02

XB connector
Series No
Termipoint
S-SMT
Angle
R-90°
Height
20-2.0mm

Contact
01-Upper Contact
02-Bottom Contact
Terminal Plating
11-All G/F
MT-Matte Tin
Housing Colour
S-Nature
Pin Q' PY
04~60

XB-FPC specifications:

1. Current rated: 0.5A AC/DC
2. Voltage rating: 50V AC/DC
3. Withstanding voltage: 200V AC for 1 min
4. Contact resistance: 40mΩ max.
5. Insulation resistance: 40MΩ min
6. Durability cycle: 30Cycles
7. Removal force: 0.04kgf/Pin min
8. Operating temperature range: -25°C ~ +85°C



Ordering Information:

Circuit	Dimensions(mm)				Circuit	Dimensions(mm)				Circuit	Dimensions(mm)			
	A	B	C	D		A	B	C	D		A	B	C	D
04	1.50	2.56	7.60	5.20	23	11.00	12.06	17.10	5.20	42	20.50	21.56	26.60	
05	2.00	3.06	8.10		24	11.50	12.56	17.60		43	21.00	22.06	27.10	
06	2.50	3.56	8.60		25	12.00	13.06	18.10		44	21.50	22.56	27.60	
07	3.00	4.06	9.10		26	12.50	13.56	18.60		45	22.00	23.06	28.10	
08	3.50	4.56	9.60		27	13.00	14.06	19.10		46	22.50	23.56	28.60	
09	4.00	5.06	10.10		28	13.50	14.56	19.60		47	23.00	24.06	29.10	
10	4.50	5.56	10.60		29	14.00	15.06	20.10		48	23.50	24.56	29.60	
11	5.00	6.06	11.10		30	14.50	15.56	20.60		49	24.00	25.06	30.10	
12	5.50	6.56	11.60		31	15.00	16.06	21.10		50	24.50	25.56	30.60	
13	6.00	7.06	12.10		32	15.50	16.56	21.60		51	25.00	26.06	31.10	
14	6.50	7.56	12.60		33	16.00	17.06	22.10		52	25.50	26.56	31.60	
15	7.00	8.06	13.10		34	16.50	17.56	22.60		53	26.00	27.06	32.10	
16	7.50	8.56	13.60		35	17.00	18.06	23.10		54	26.50	27.56	32.60	
17	8.00	9.06	14.10		36	17.50	18.56	23.60		55	27.00	28.06	33.10	
18	8.50	9.56	14.60		37	18.00	19.06	24.10		56	27.50	28.56	33.60	
19	9.00	10.06	15.10		38	18.50	19.56	24.60		57	28.00	29.06	34.10	
20	9.50	10.56	15.60		39	19.00	20.06	25.10		58	28.50	29.56	34.60	
21	10.00	11.06	16.10		40	19.50	20.56	25.60		59	29.00	30.06	35.10	
22	10.50	11.56	16.60		41	20.00	21.06	26.10		60	29.50	30.56	35.60	

XB 东莞市溪榜电子有限公司
 DONG GUAN XI BANG ELECTRONICS CO., LTD.

TOLERANCE UNLESS OTHERWISE STATED:
 Up to 5 ±0.2
 Above 5 ~ 15 ±0.3
 Above 15 ~ 30 ±0.4
 Above 30 ~ 50 ±0.5
 Angle ±0.3°

3RD. ANGEL'S

UNITS MM

DRAWN BY:	DATE	MAT'L	TITLE	CONNECTOR
Jack Lu	03/10/22		MODLE	FPC 0.50mm Pitch 90° SMT Bottom Contact Type H2.0mm Connector
CHECKED BY:	DATE	FINISH	DWG NO.	XB-FPC-0504SR20
Jacky Chen	03/10/22		PART NO.	
APPROVED BY:	DATE	SCALE	SHEET NO.	1 of 1
Tony Kao	03/10/22	1 : 1		

1	更新圖面	Jack	031022
ITEM NO.	DESCRIPTION	DRAWN	DATE