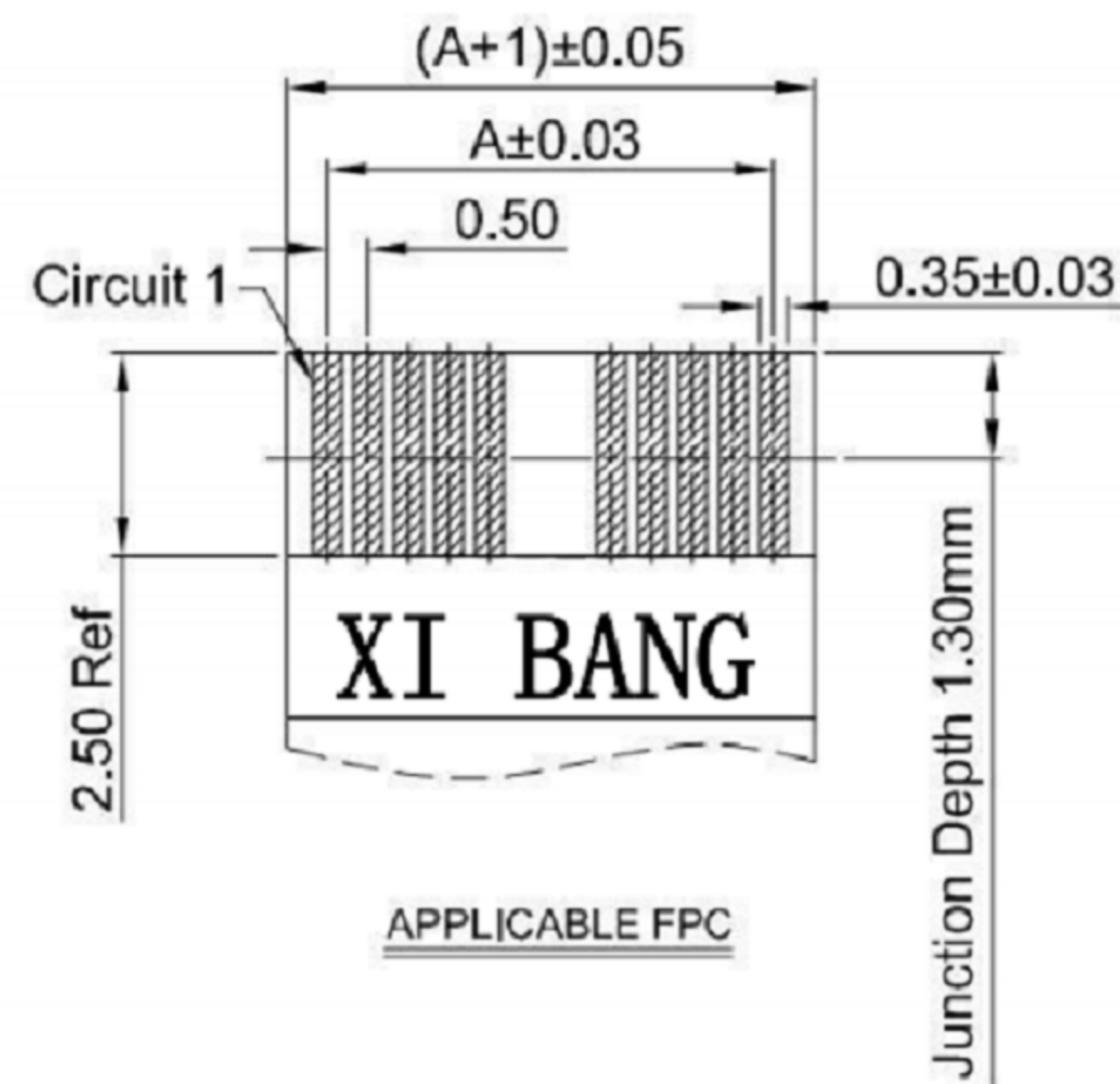
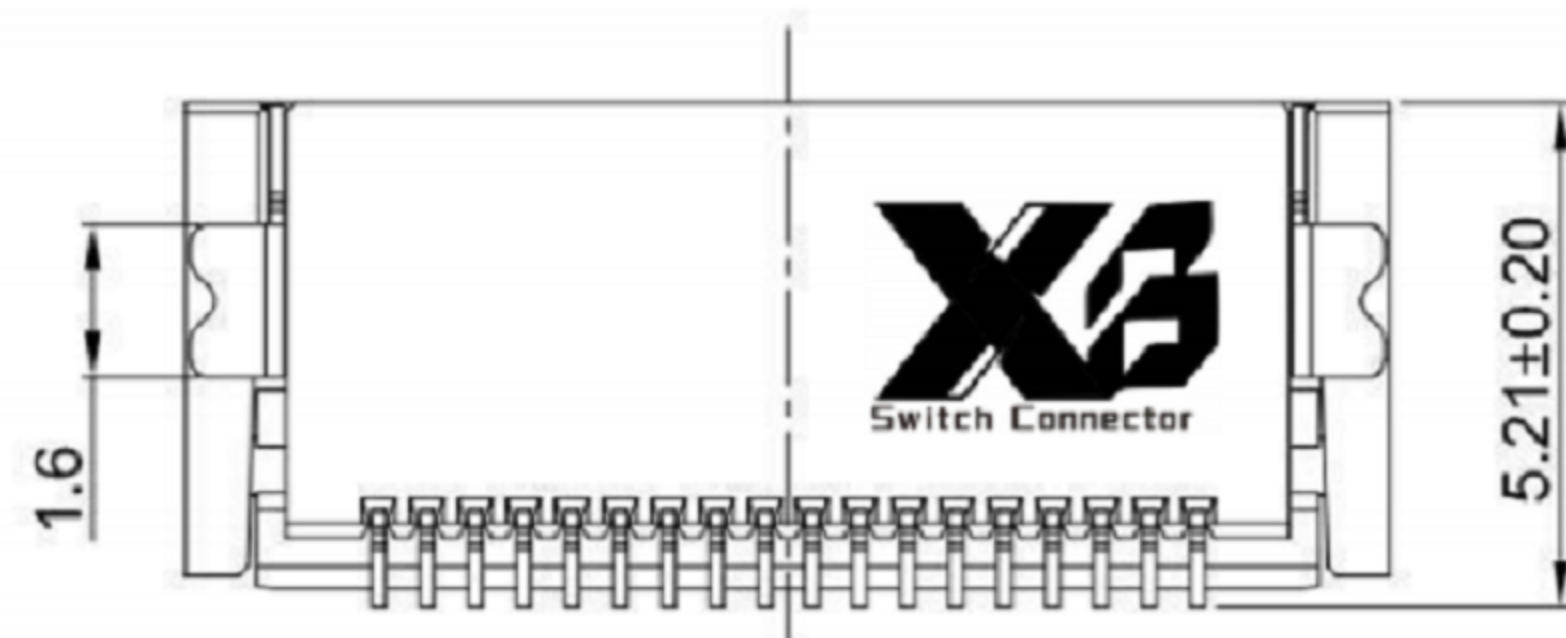
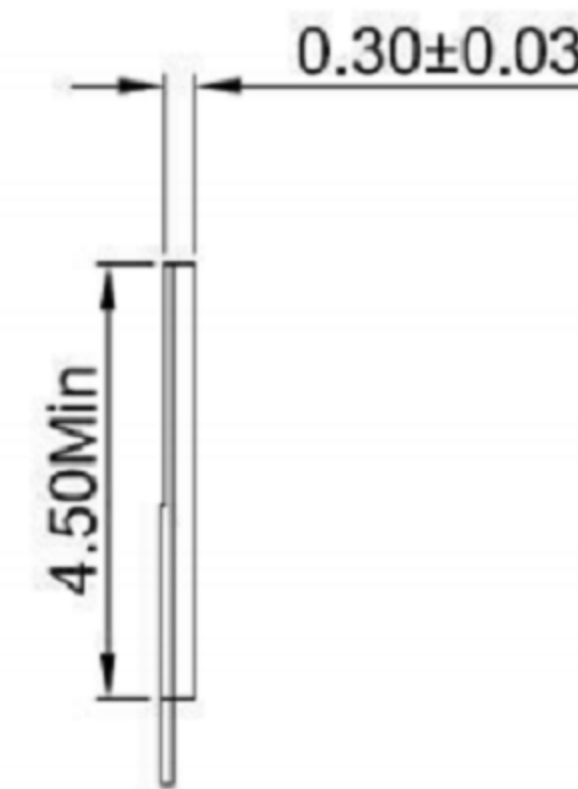
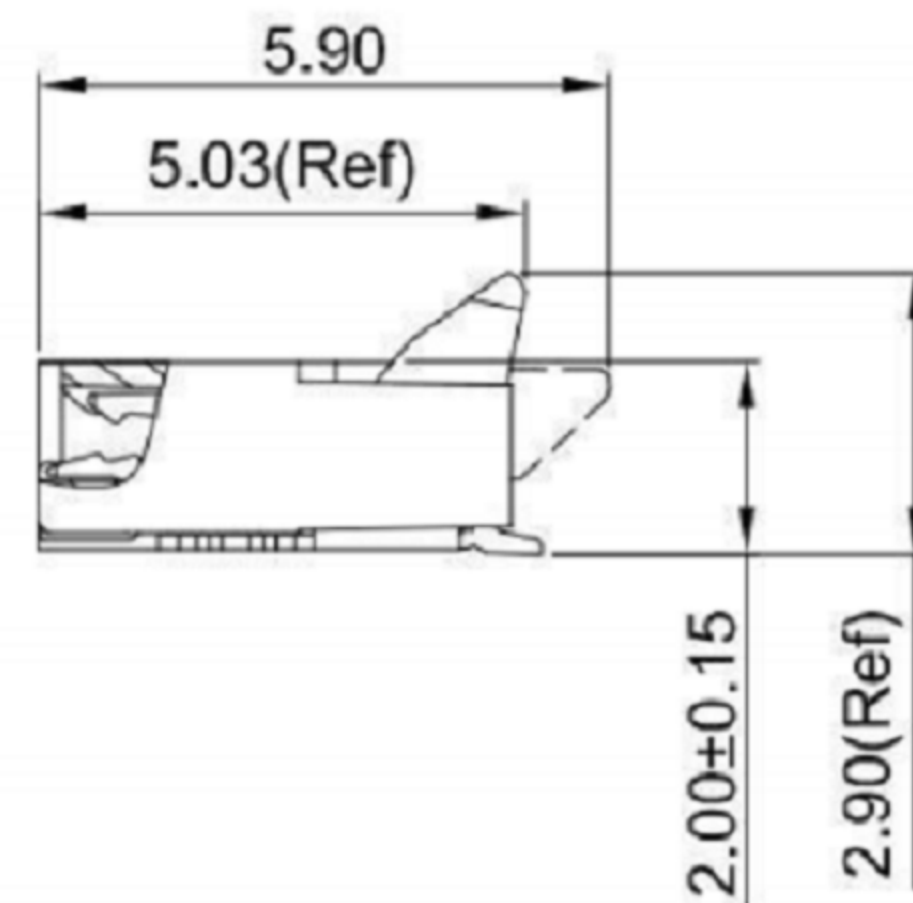
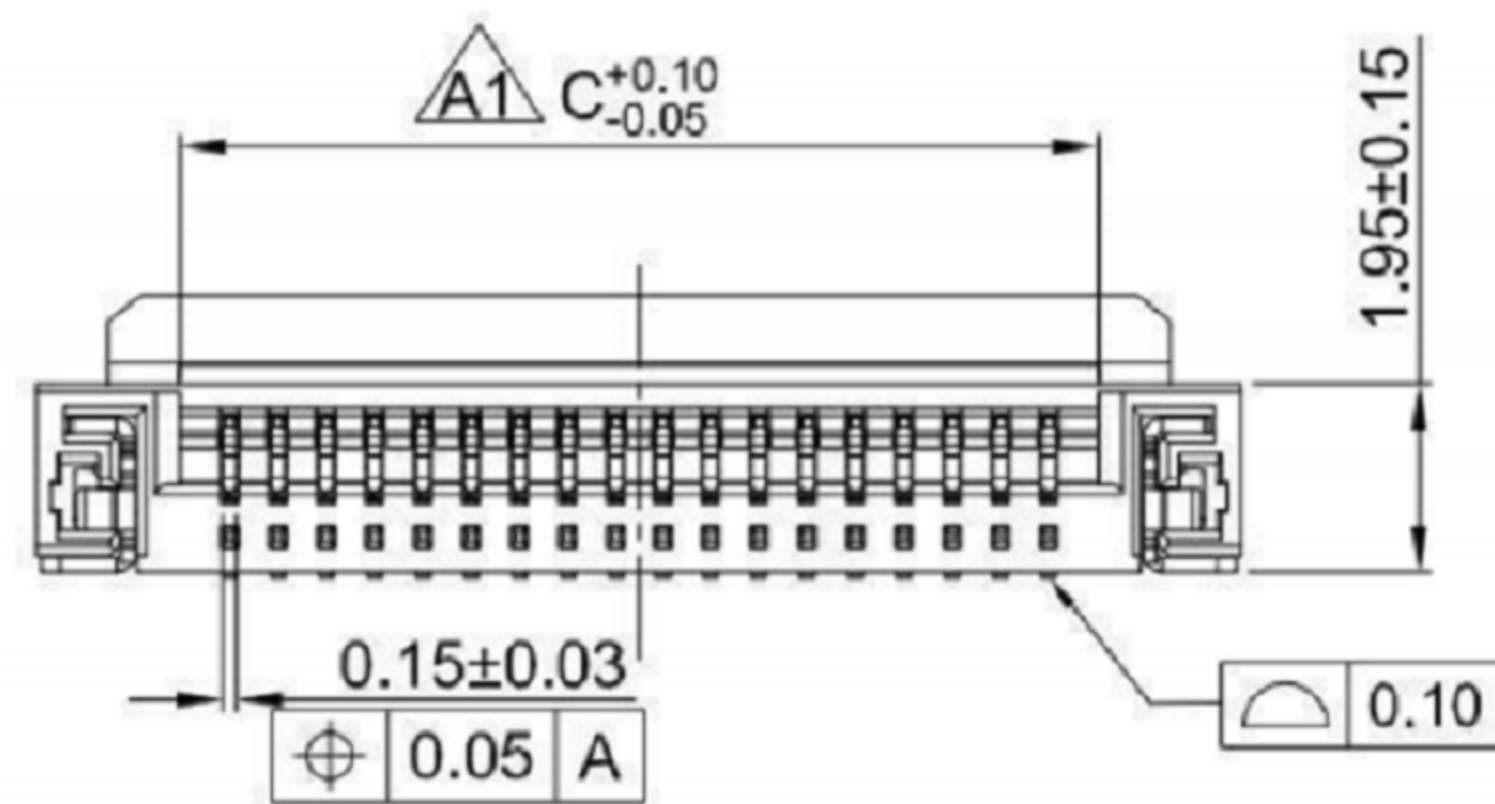


### XB-FPC - 503 S R 20 -XX X XX 01

XB connector	Terminal Plating 11-All G/F
Series No	Housing Colour S-Nature
Termipoint S-SMT	Pin Q' PY 04-60
Angle R-90°	Height 20-2.0mm

#### XB-FPC specifications:

- 1.Current rated: 0.5A AC/DC
- 2.Voltage rating: 50V AC/DC
- 3.Withstanding voltage: 200V AC for 1 min
- 4.Contact resistance: 40mΩ max.
- 5.Insulation resistance: 40MΩ min
- 6.Durability cycle: 30Cycles
- 7.Removal force: 0.04kgf/Pin min
- 8.Operating temperature range: -25°C ~ +85°C



#### Ordering Information:

Circuit	Dimensions(mm)			Circuit	Dimensions(mm)		
	A	B	C		A	B	C
4	1.50	5.50	2.60	25	12.00	16.00	13.10
5	2.00	6.00	3.10	26	12.50	16.50	13.60
6	2.50	6.50	3.60	27	13.00	17.00	14.10
7	3.00	7.00	4.10	28	13.50	17.50	14.60
8	3.50	7.50	4.60	29	14.00	18.00	15.10
9	4.00	8.00	5.10	30	14.50	18.50	15.60
10	4.50	8.50	5.60	31	15.00	19.00	16.10
12	5.50	9.50	6.60	32	15.50	19.50	16.60
13	6.00	10.00	7.10	33	16.00	20.00	17.10
14	6.50	10.50	7.60	34	16.50	20.50	17.60
15	7.00	11.00	8.10	35	17.00	21.00	18.10
16	7.50	11.50	8.60	36	17.50	21.50	18.60
17	8.00	12.00	9.10	37	18.00	22.00	19.10
18	8.50	12.50	9.60	40	19.50	23.50	20.60
19	9.00	13.00	10.05	45	22.00	26.00	23.10
20	9.50	13.50	10.60	50	24.50	28.50	25.60
21	10.00	14.00	11.10	54	26.50	30.50	27.60
22	10.50	14.50	11.60	55	27.00	31.00	28.10
23	11.00	15.00	12.10	60	29.50	33.50	30.60
24	11.50	15.50	12.60	---	---	---	---

**XB** 东莞市溪榜电子有限公司  
DONG GUAN XI BANG ELECTRONICS CO., LTD.

TOLERANCE UNLESS OTHERWISE STATED:  
 Up to 5 ±0.2  
 Above 5 ~ 15 ±0.3  
 Above 15 ~ 30 ±0.4  
 Above 30 ~ 50 ±0.5  
 Angle ±0.3°

3RD. ANGEL'S

UNITS MM

DRAWN BY: Jack Lu  
 CHECKED BY: Jacky Chen  
 APPROVED BY: Tony Kao

DATE: 03/10/22  
 DATE: 03/10/22  
 DATE: 03/10/22

MAT'L TITLE CONNECTOR  
 FINISH MODLE  
 SCALE 1:1 DWG NO. XB-FPC-0503SR20  
 SHEET NO. 1 of 1 PART NO.

SIZE A4  
 VER R1

ITEM NO.	DESCRIPTION	DRAWN	DATE
1	更新圖面	Jack	031022