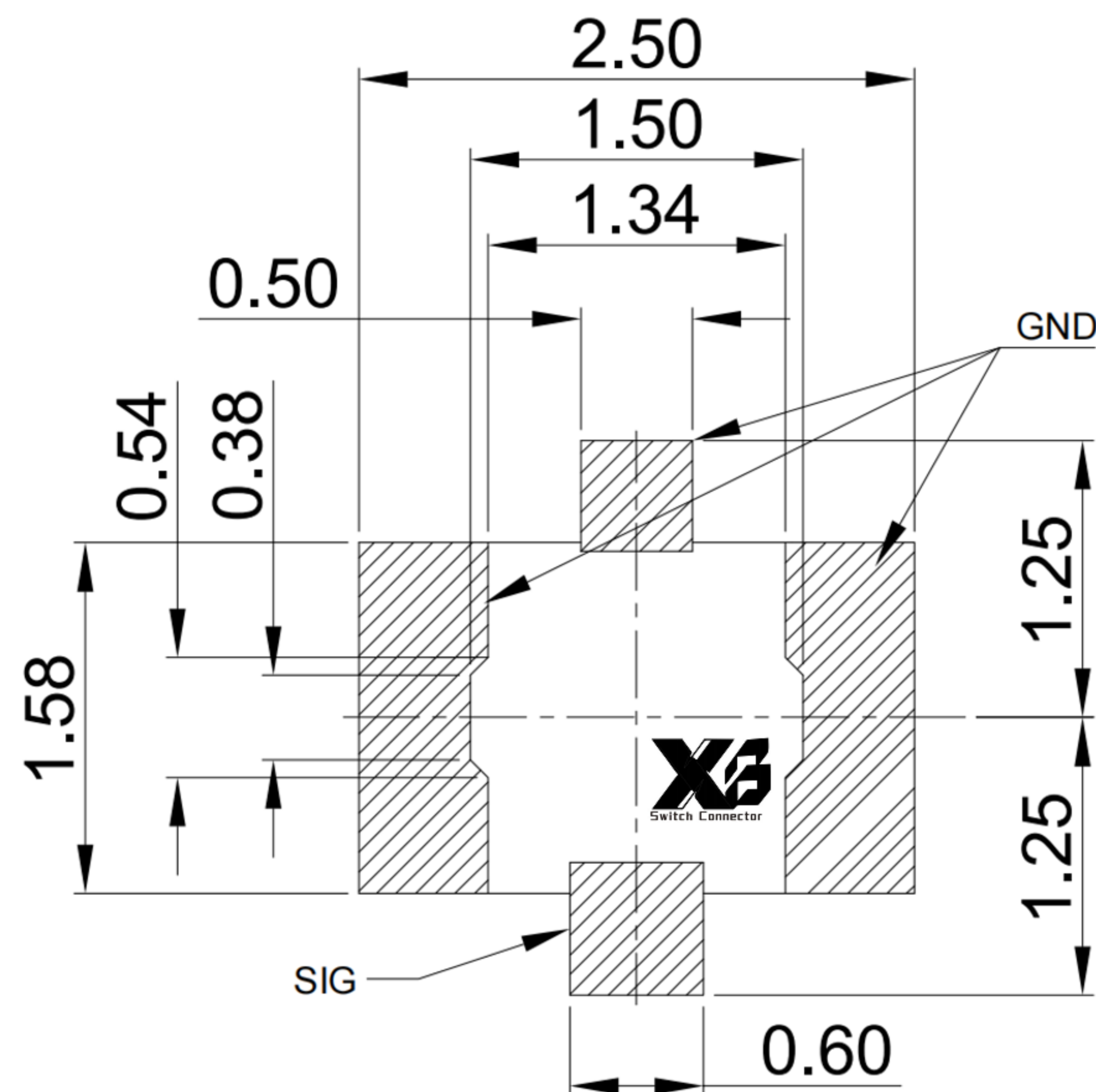
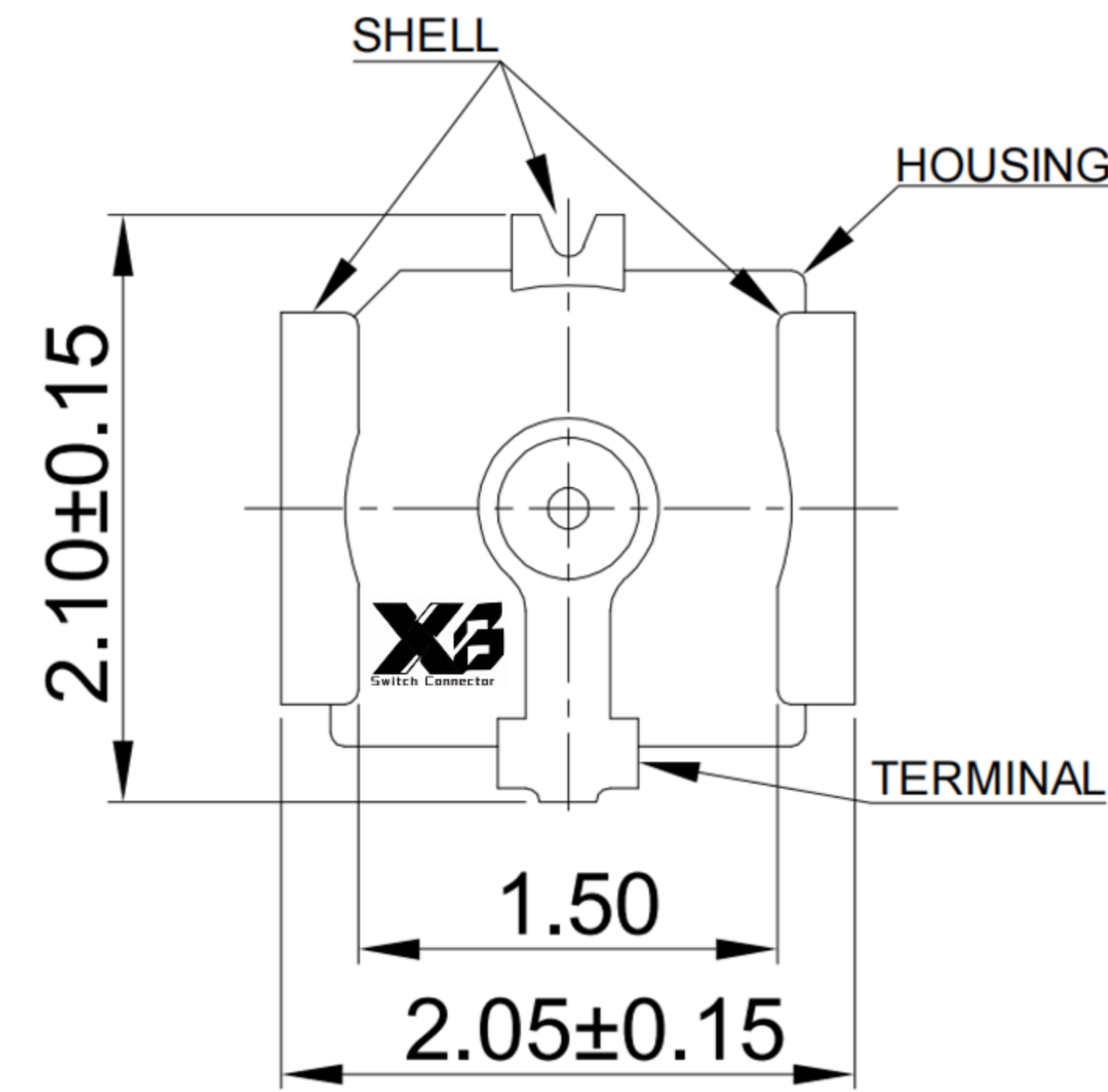
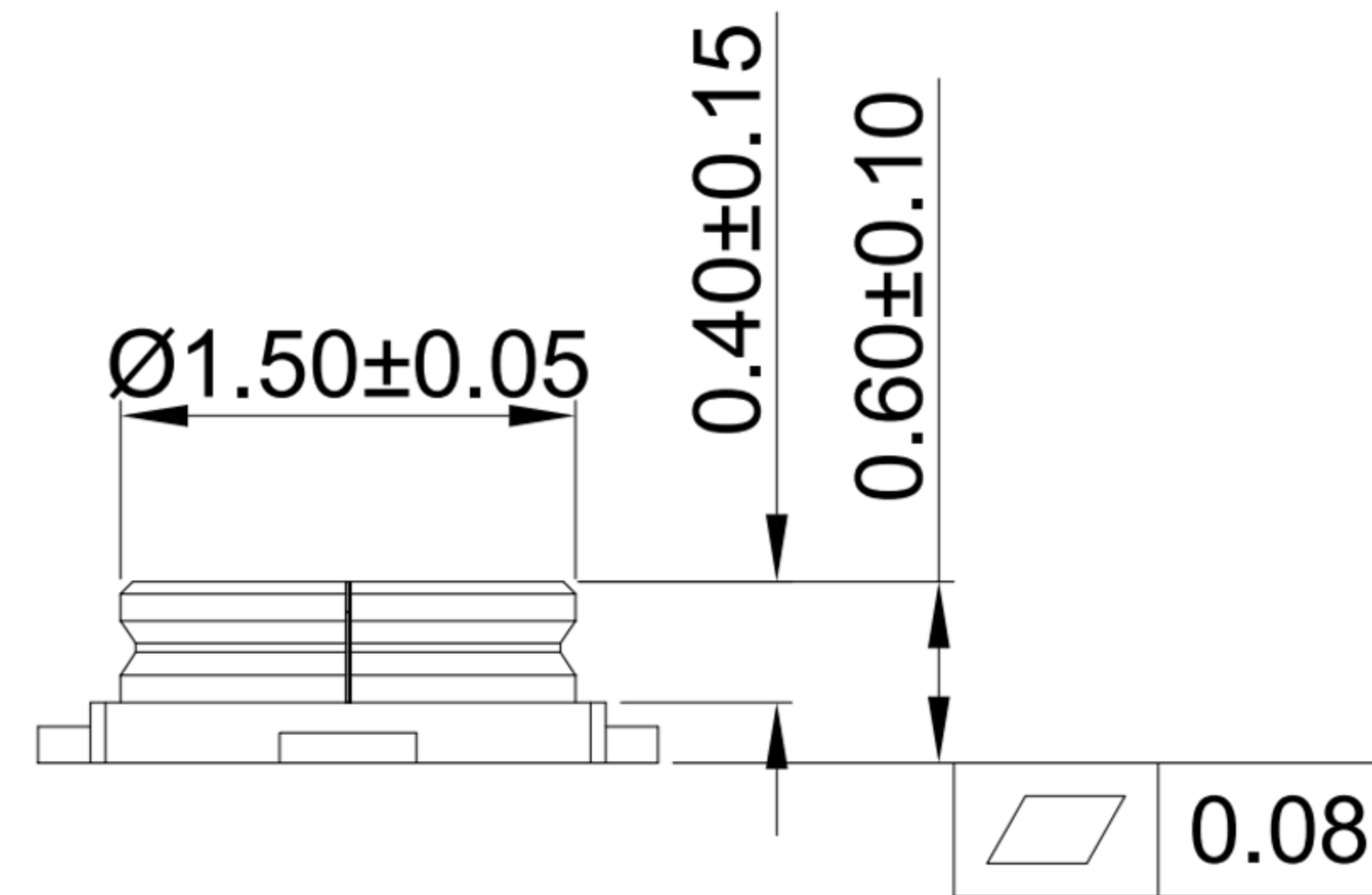


SECTION A-A



RECOMMENDED PCB LAYOUT
TOLERANCE:±0.05



XB connector Specification:

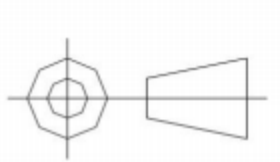
- 1.Contact Resistance: 20mΩ Max;
- 2.Dielectric Withstanding Voltage: 200V AC For 1 Minute;
- 3.Insulation Resistance: 1000MΩ Min;
- 4.Frequency Range: DC up to 6GHz
Vswr:1.3 Max. at 0~3GHz;
Vswr:1.4 Max. at 3~6GHz;
- 5.Operating Temperature: -40°C to + 90°C.

Item	Title	Material/Finish
1	Terminal	Copper Alloy/Gold Plated Over Ni
2	Shell	Copper Alloy/Gold Plated Over Ni
3	Housing	High Temp. Platic UL94V-0/White

X3 东莞市溪榜电子有限公司
DONG GUAN XI BANG ELECTRONICS CO., LTD.

TOLERANCE UNLESS OTHERWISE STATED:
Up to 5 ±0.2
Above 5 ~ 15 ±0.3
Above 15 ~ 30 ±0.4
Above 30 ~ 50 ±0.5
Angle ±0.3°

3RD. ANGEL'S



UNITS MM

DRAWN BY: Jack Lu
DATE: 03/10/22
CHECKED BY: Jacky Chen
DATE: 03/10/22
APPROVED BY: Tony Kao
DATE: 03/10/22

MAT'L
FINISH
SCALE: 1 : 1
SHEET NO. 1 of 1

TITLE: CONNECTOR
MODLE: RF IV Receptacle Conn SMT 1.7×1.7×H0.60mm
DWG NO.: XB-RF-4060A-02G
PART NO.:

SIZE: A4
VER: R1

ITEM NO.	DESCRIPTION	DRAWN	DATE
1	更新圖面	Jack	031022