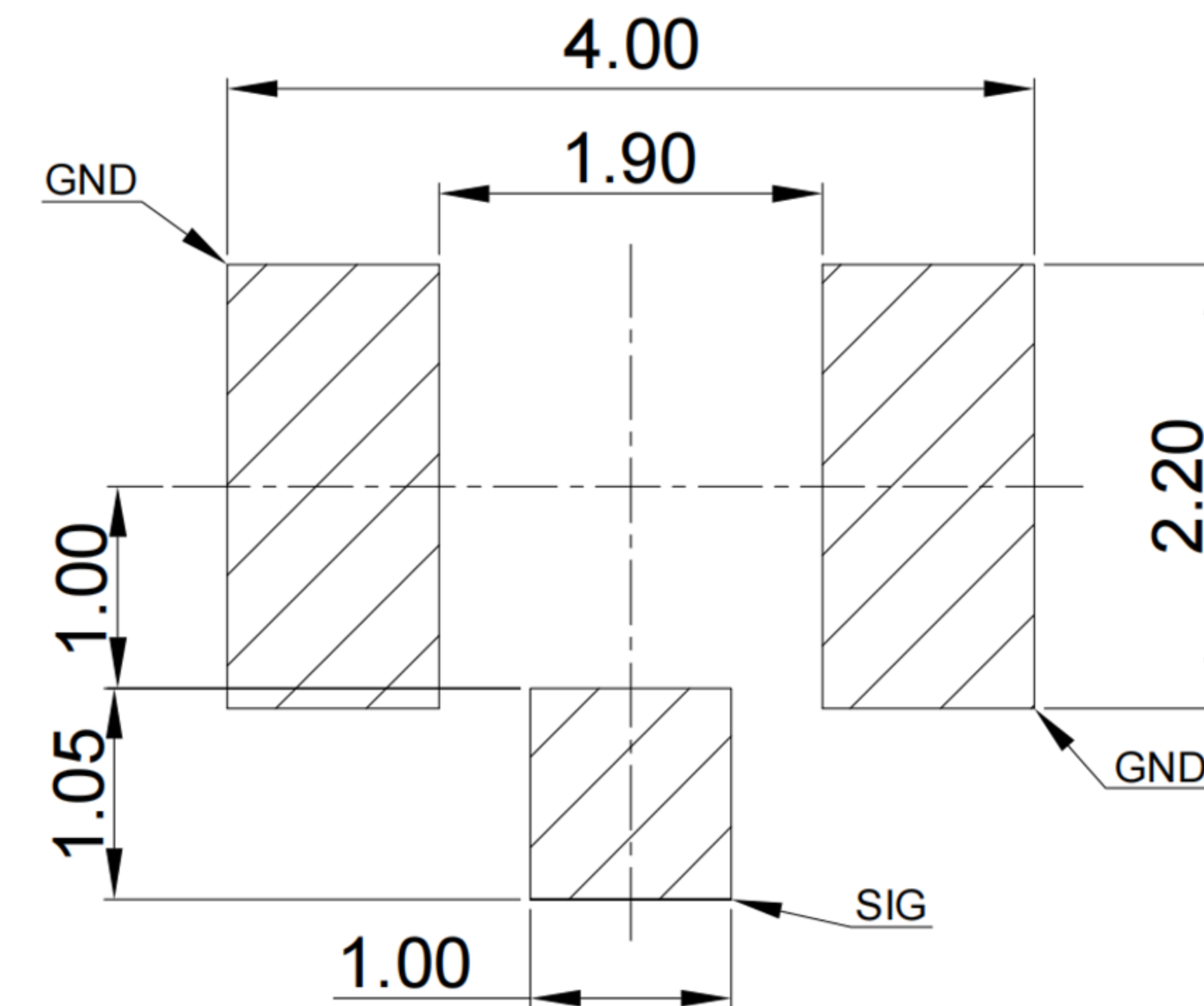
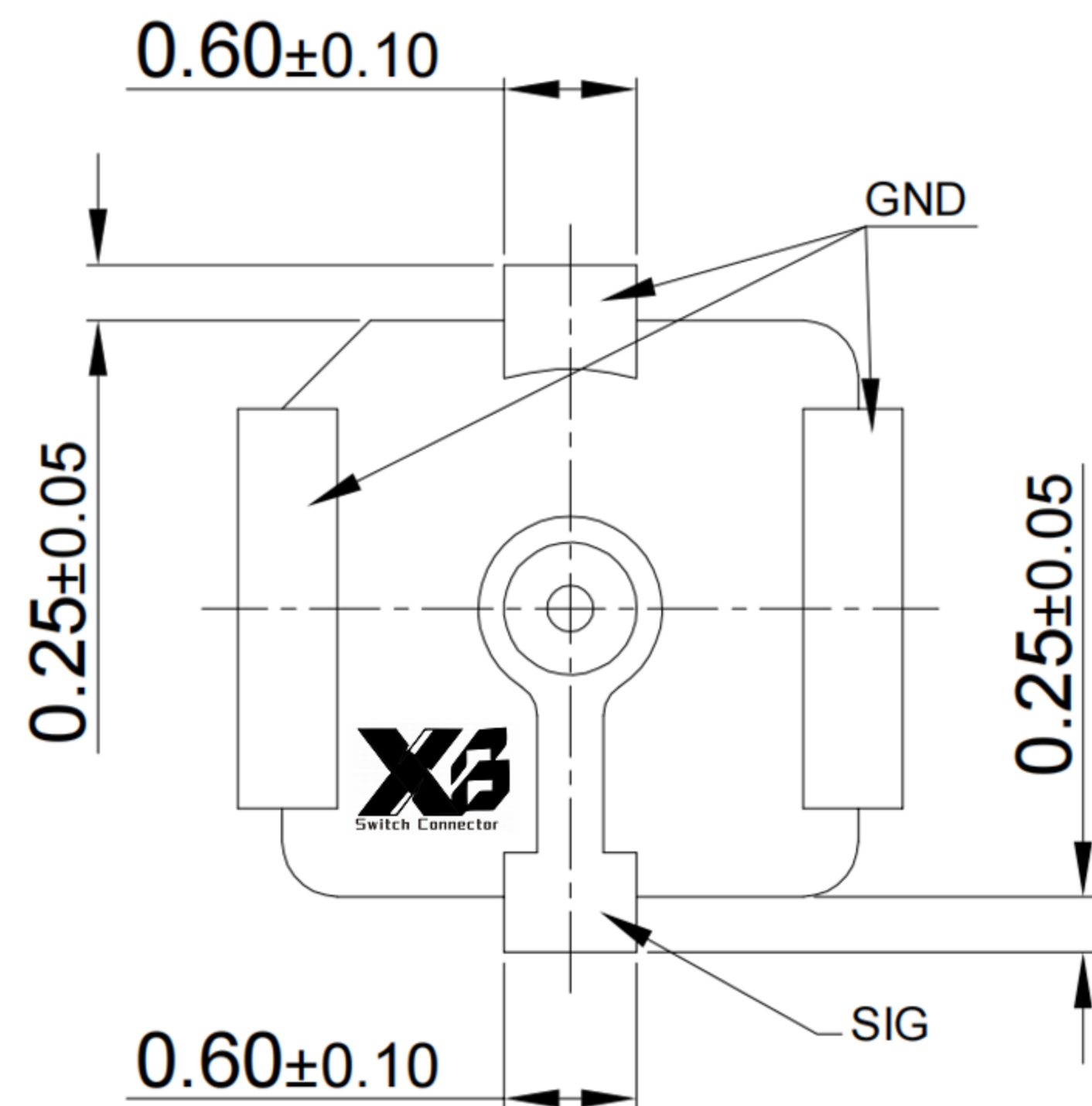


RECOMMENDED PCB LAYOUT 1
TOLERANCE:±0.05



RECOMMENDED PCB LAYOUT 2
TOLERANCE:±0.05



XB connector Specification:

- 1.Contact Resistance: 20mΩ Max;
- 2.Dielectric Withstanding Voltage: 200V AC For 1 Minute;
- 3.Insulation Resistance: 1000MΩ Min;
- 4.Frequency Range: DC up to 6GHz
Vswr:1.3 Max. at 0~3GHz;
Vswr:1.4 Max. at 3~6GHz;
- 5.Operating Temperature: -40°C to + 90°C.

| Item | Title | Material/Finish |
|------|----------|----------------------------------|
| 1 | Terminal | Copper Alloy/Gold Plated Over Ni |
| 2 | Shell | Copper Alloy/Gold Plated Over Ni |
| 3 | Housing | High Temp. Platic UL94V-0/White |



东莞市溪榜电子有限公司
DONG GUAN XI BANG ELECTRONICS CO., LTD.

TOLERANCE UNLESS OTHERWISE STATED:
Up to 5 ±0.2
Above 5 ~ 15 ±0.3
Above 15 ~ 30 ±0.4
Above 30 ~ 50 ±0.5
Angle ±0.3°

3RD. ANGEL'S

UNITS MM

| | | | | |
|--------------|----------|-----------|----------|---|
| DRAWN BY: | DATE | MAT'L | TITLE | CONNECTOR |
| Jack Lu | 03/10/22 | | MODLE | RF I Receptacle Conn SMT 2.6×2.6×H1.25mm |
| CHECKED BY: | DATE | FINISH | DWG NO. | XB-RF-1125A-01G |
| Jacky Chen | 03/10/22 | | PART NO. | |
| APPROVED BY: | DATE | SCALE | 1 : 1 | |
| Tony Kao | 03/10/22 | SHEET NO. | 1 of 1 | |

| ITEM NO. | DESCRIPTION | DRAWN | DATE |
|----------|-------------|-------|--------|
| 1 | 更新圖面 | Jack | 031022 |