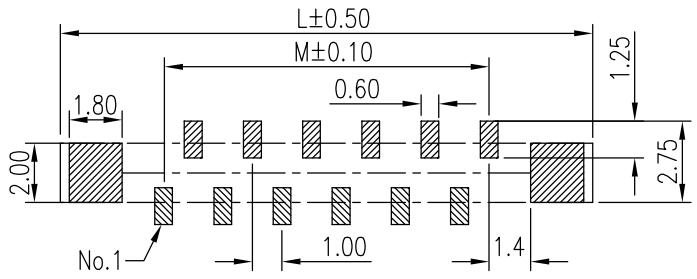
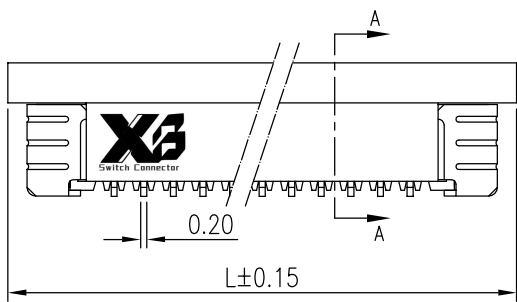
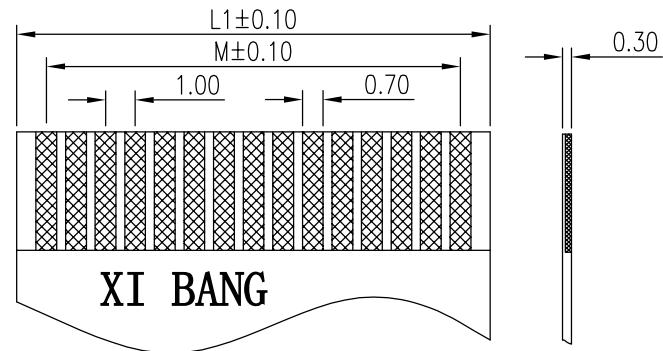
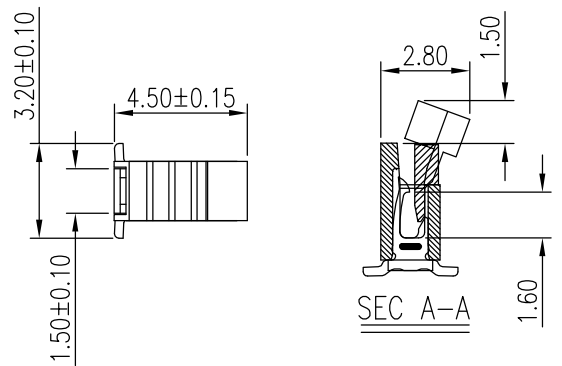
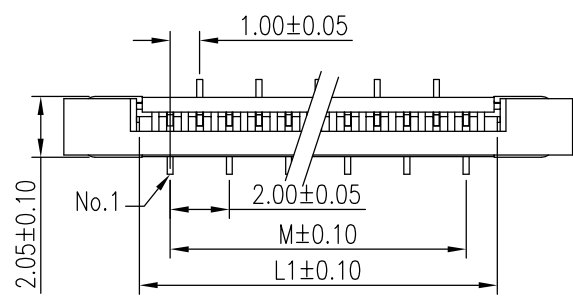


1 2 3 4 5 6 7 8 9



Specifications
 Voltage Rating: 50V(AC,DC)
 Current Rating: 0.5A(AC,DC)
 Insulation Resistance: 500MΩ Min.
 Dielectric Withstanding: 500V AC/minute
 Contact Resistance: 0.05mΩ Max.
 Operating Temperature: -25°C to +85°C

Materials
 Terminal: Phosphor Bronze, Tin plated.
 Solder Tab: Phosphor Bronze, Tin Plated
 Housing: High Temperature Thermoplastic,
 UL 94V-0 LCP or the equivalent material.
 Loeker: PPS, UL 94V-0.
 All materials must meet XI BANG
 requirement for environment protection.



Ordering Information

107 - XX XX A 001 C X A X

No. of Pins per Row 04~29
 Standard Plating 02=Gold Flash
 Selective Plating 01=Tin 05=Gold Flash /Tin
 Color E=Beige ...
 Standard Packing C=Tube Selective Packing D=Tape Reel

No. of PIN/ROW	Dimension Information		
	M	L1	L
04	3.00	5.10	10.20
05	4.00	6.10	11.20
06	5.00	7.10	12.20
07	6.00	8.10	13.20
08	7.00	9.10	14.20
09	8.00	10.10	15.20
10	9.00	11.10	16.20
11	10.00	12.10	17.20
12	11.00	13.10	18.20
13	12.00	14.10	19.20
14	13.00	15.10	20.20
15	14.00	16.10	21.20
16	15.00	17.10	22.20
17	16.00	18.10	23.20
18	17.00	19.10	24.20
19	18.00	20.10	25.20
20	19.00	21.10	26.20
21	20.00	22.10	27.20
22	21.00	23.10	28.20
23	22.00	24.10	29.20
24	23.00	25.10	30.20
25	24.00	26.10	31.20
26	25.00	27.10	32.20
27	26.00	28.10	33.20
28	27.00	29.10	34.20
29	28.00	30.10	35.20

XIB 东莞市溪榜电子有限公司
 DONG GUAN XI BANG ELECTRONICS CO., LTD

REV. 03 UNIT. mm SCALE. 4:1 PAGE. 1/1

GENERAL TOLERANCE		DESIGN:	DATE:	DWG. NO.	TITLE: PITCH 1.00 FPC SMT TYPE
X.* ± 1.5*	X. ± 0.30	CHECKED:	DATE:	XB-FPC-10-107-A001-	
.XX* ± 1.0*	.X ± 0.20	AUDITED:	DATE:	PART NO. 107-XXXXA001CXAX	
.XX* ± 0.5*	.XX ± 0.15				
.XXX* ± 0.3*	.XXX ± 0.10				

1 2 3 4 5 6 7 8 9