

Ordering Information

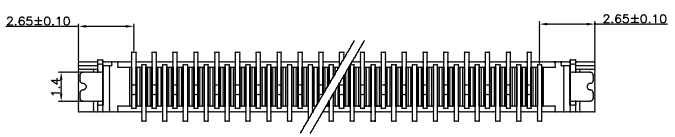
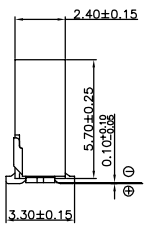
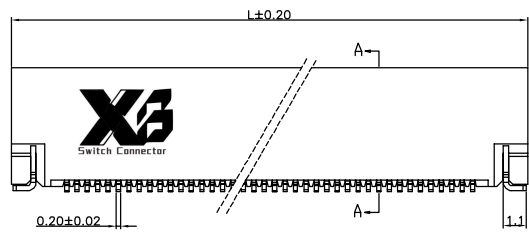
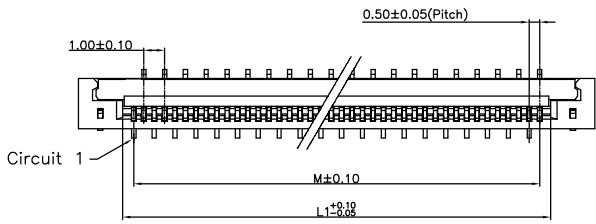
XB-FPC-05-144 - XX XX A 003 C X A X

No. of Pins per Row 04~60

Standard Plating 01=Tin

Color 2=White

Standard Packing H=Film + T&P
Selective Packing C=Tube D=Tape Reel



No. of PIN/ROW	Dimension Information			No. of PIN/ROW	Dimension Information		
	M	L1	L		M	L1	L
04	1.50	2.60	6.80	33	16.00	17.10	21.30
05	2.00	3.10	7.30	34	16.50	17.60	21.80
06	2.50	3.60	7.80	35	17.00	18.10	22.30
07	3.00	4.10	8.30	36	17.50	18.60	22.80
08	3.50	4.60	8.80	37	18.00	19.10	23.30
09	4.00	5.10	9.30	38	18.50	19.60	23.80
10	4.50	5.60	9.80	39	19.00	20.10	24.30
11	5.00	6.10	10.30	40	19.50	20.60	24.80
12	5.50	6.60	10.80	41	20.00	21.10	25.30
13	6.00	7.10	11.30	42	20.50	21.60	25.80
14	6.50	7.60	11.80	43	21.00	22.10	26.30
15	7.00	8.10	12.30	44	21.50	22.60	26.80
16	7.50	8.60	12.80	45	22.00	23.10	27.30
17	8.00	9.10	13.30	46	22.50	23.60	27.80
18	8.50	9.60	13.80	47	23.00	24.10	28.30
19	9.00	10.10	14.30	48	23.50	24.60	28.80
20	9.50	10.60	14.80	49	24.00	25.10	29.30
21	10.00	11.10	15.30	50	24.50	25.60	29.80
22	10.50	11.60	15.80	51	25.00	26.10	30.30
23	11.00	12.10	16.30	52	25.50	26.60	30.80
24	11.50	12.60	16.80	53	26.00	27.10	31.30
25	12.00	13.10	17.30	54	26.50	27.60	31.80
26	12.50	13.60	17.80	55	27.00	28.10	32.30
27	13.00	14.10	18.30	56	27.50	28.60	32.80
28	13.50	14.60	18.80	57	28.00	29.10	33.30
29	14.00	15.10	19.30	58	28.50	29.60	33.80
30	14.50	15.60	19.80	60	29.50	30.60	34.80
31	15.00	16.10	20.30				
32	15.50	16.50	20.80				

Specifications

Insulation Resistance: 500MΩ Min.
 Dielectric Withstanding: 500V, AC/minute
 Contact Resistance: 0.03Ω Max.
 Rating voltage: 50V, AC, DC
 Operating Temperature: -25°C to +85°C

Materials

Contact Material: Phosphor Bronze
 Fitting Nail: Phosphor Bronze
 Housing: High Temperature Thermoplastic
 UL 94V-0 LCP
 Actuator: PA9T/LCP(UL94V-0)

All materials must meet XI BANG requirement for environment protection.

东莞市溪榜电子有限公司
 DONG GUAN XI BANG ELECTRONICS CO., LTD

REV. A UNIT. mm SCALE. 1:1 PAGE. 1/2

GENERAL TOLERANCE	
X.*±5.0°	X.±0.30
.X*±3.0°	.X±0.25
.XX*±2.0°	.XX±0.15
.XXX*±1.0°	.XXX±0.10

DESIGN:
CHECKED:
AUDITED:

DATE:
DATE:
DATE:

DWG. NO.
XB-FPC-05-144
PART NO.

TITLE:
0.5 立贴 FPC

F

E

D

C

B

A

F

E

D

C

B

A

Ordering Information

XB-FPC-05-144A - XX

XX

A

003

C

X

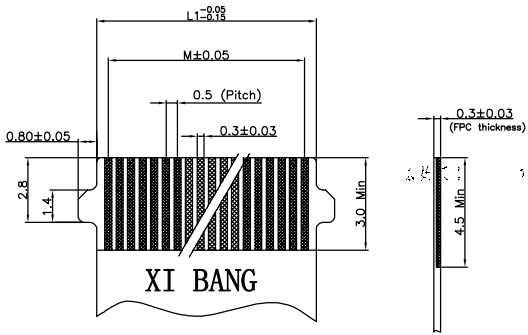
Λ

No. of Pins per Row
04~60

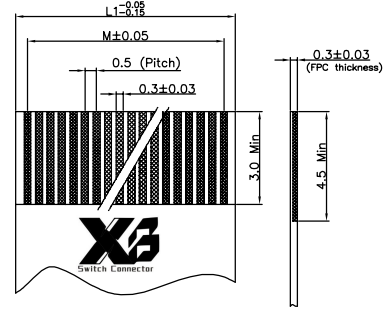
Standard Plating
01=Tin

Color
2=White

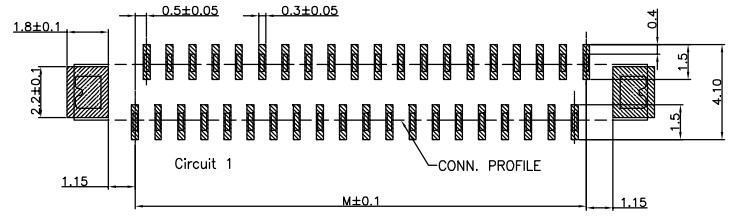
Standard Packing
H=Film + T&R
Selective Packing
C=Tube
D=Tape Reel



適用FPC寸法 (帶勾)
Applicable FPC(+Lock)



適用FPC寸法
Applicable FPC



適用線路板
Recommended PCB LAYOUT

No. of PIN/ROW	Dimension Information						
	M	L1	L	No. of PIN/ROW	M	L1	L
04	1.50	2.60	6.80	33	16.00	17.10	21.30
05	2.00	3.10	7.30	34	16.50	17.60	21.80
06	2.50	3.60	7.80	35	17.00	18.10	22.30
07	3.00	4.10	8.30	36	17.50	18.60	22.80
08	3.50	4.60	8.80	37	18.00	19.10	23.30
09	4.00	5.10	9.30	38	18.50	19.60	23.80
10	4.50	5.60	9.80	39	19.00	20.10	24.30
11	5.00	6.10	10.30	40	19.50	20.60	24.80
12	5.50	6.60	10.80	41	20.00	21.10	25.30
13	6.00	7.10	11.30	42	20.50	21.60	25.80
14	6.50	7.60	11.80	43	21.00	22.10	26.30
15	7.00	8.10	12.30	44	21.50	22.60	26.80
16	7.50	8.60	12.80	45	22.00	23.10	27.30
17	8.00	9.10	13.30	46	22.50	23.60	27.80
18	8.50	9.60	13.80	47	23.00	24.10	28.30
19	9.00	10.10	14.30	48	23.50	24.60	28.80
20	9.50	10.60	14.80	49	24.00	25.10	29.30
21	10.00	11.10	15.30	50	24.50	25.60	29.80
22	10.50	11.60	15.80	51	25.00	26.10	30.30
23	11.00	12.10	16.30	52	25.50	26.60	30.80
24	11.50	12.60	16.80	53	26.00	27.10	31.30
25	12.00	13.10	17.30	54	26.50	27.60	31.80
26	12.50	13.60	17.80	55	27.00	28.10	32.30
27	13.00	14.10	18.30	56	27.50	28.60	32.80
28	13.50	14.60	18.80	57	28.00	29.10	33.30
29	14.00	15.10	19.30	58	28.50	29.60	33.80
30	14.50	15.60	19.80	60	29.50	30.60	34.80
31	15.00	16.10	20.30				
32	15.50	16.50	20.80				

Specifications

Insulation Resistance: 500MΩ Min.
Dielectric Withstanding: 500V, AC/minute
Contact Resistance: 0.03Ω Max.
Rating voltage: 50V, AC, DC
Operating Temperature: -25°C to +85°C

Materials

Contact Material: Phosphor Bronze
Fitting Nail: Phosphor Bronze
Housing: High Temperature Thermoplastic
UL 94V-0 LCP
Actuator: PA9T/LCP(UL94V-0)

All materials must meet XI BANG requirement for environment protection.

XB 东莞市溪榜电子有限公司
DONG GUAN XI BANG ELECTRONICS CO., LTD

REV. A UNIT. mm SCALE. 1:1 PAGE. 2/2

GENERAL TOLERANCE	
.°±5.0°	X.±0.30
.X°±3.0°	.X±0.25
.XX°±2.0°	.XX±0.15
.XXX°±1.0°	.XXX±0.10

DESIGN:
CHECKED:
AUDITED:

DATE:
DATE:
DATE:

DWG. NO.
XB-FPC-05-144A
PART NO.
-X

TITLE.
0.5 立貼 FPC