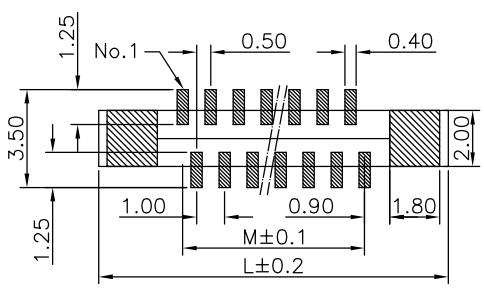
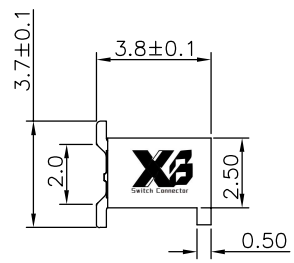
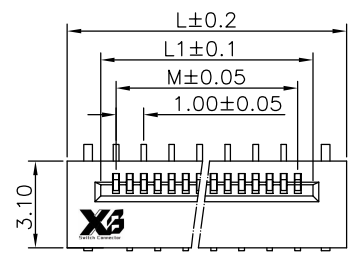


No. pins	Dim. Info.		
	M	L1	L
08	3.5	4.56	7.0
10	4.5	5.56	8.0
12	5.5	6.56	9.0
14	6.5	7.56	10.0
16	7.5	8.56	11.0
20	9.5	10.56	13.0
22	10.5	11.56	14.0
24	11.5	12.56	15.0
25	12.0	13.06	15.5
26	12.5	13.56	16.0

Specifications
 Current Rating: 0.5Amp
 Rated Voltage: 50V
 Insulation Resistance: 500MΩ Min.
 Dielectric Withstanding: 500V AC/DC
 Contact Resistance: 30mΩ Max.
 Operating Temperature: -25°C to +85°C

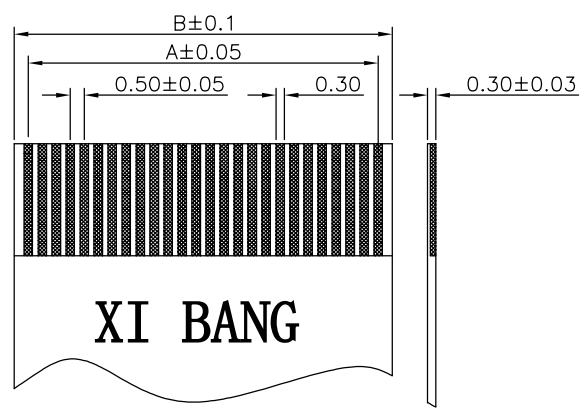
Materials
 Contact Material: Phosphor Bronze
 Insulation Material: High Temperature Thermoplastic,
 UL 94V-0 LCP or the equivalent material.
 Solder tab: Phosphor bronze,tin/lead-plated
 All materials must meet XI BANG
 requirement for environment protection



Ordering Information

XB-FPC-05-111

No. of Pins per Row: 14,24
 Standard Plating: 01=Tin, 02=Gold Flash, 05=Gold Flash/Tin
 Selective Plating
 Color: 1=Black, ...
 Standard Packing: E=Tube(Manufacture+Cap), F=Tube Reel(Manufacture+Cap), Selective Packing



东莞市溪榜电子有限公司
DONG GUAN XI BANG ELECTRONICS CO., LTD

GENERAL TOLERANCE	
X.* ± 1.5°	X. ± .
.X* ± 1.0°	.X ± 0.30
.XX* ± 0.5°	.XX ± 0.20
.XXX* ± 0.3°	.XXX ± 0.10

DESIGN:
 CHECKED:
 AUDITED:

DATE:
 DATE:
 DATE:

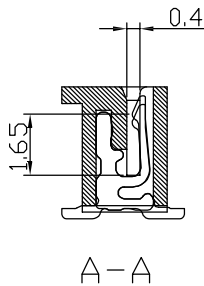
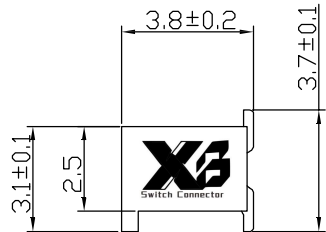
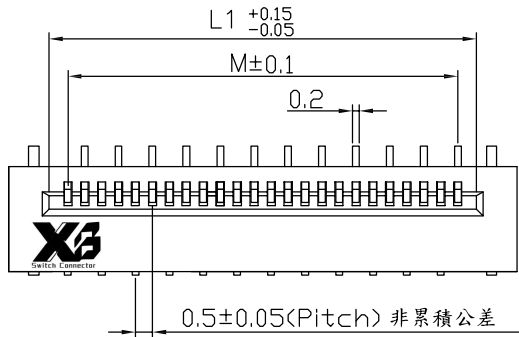
DWG. NO.
XB-FPC-05-111
 PART NO.

TITLE.
**PITCH 0.50mm FPC
 NON-ZIF**

REV.	UNIT.	SCALE.	PAGE.
D1	mm	4:1	1/1

1 2 3 4 5 6 7 8 9

F



Specifications

Current Rating: 0.5Amp
 Rated Voltage: 50V
 Insulation Resistance: 500MΩ Min.
 Dielectric Withstanding: 500V AC/DC
 Contact Resistance: 30mΩ Max.
 Operating Temperature: -25°C to +85°C

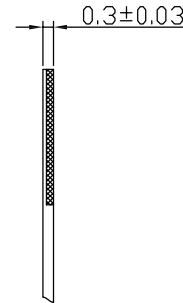
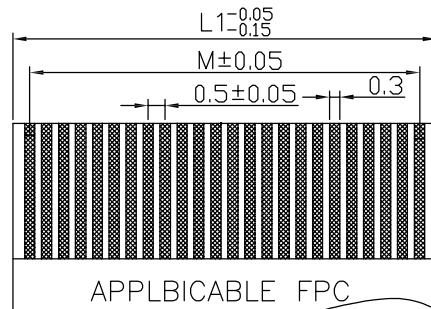
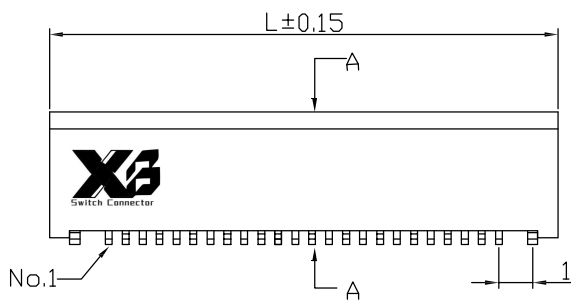
Materials

Contact Material: Phosphor Bronze
 Insulation Material: High Temperature Thermoplastic,
 UL 94V-0 LCP or the equivalent material.

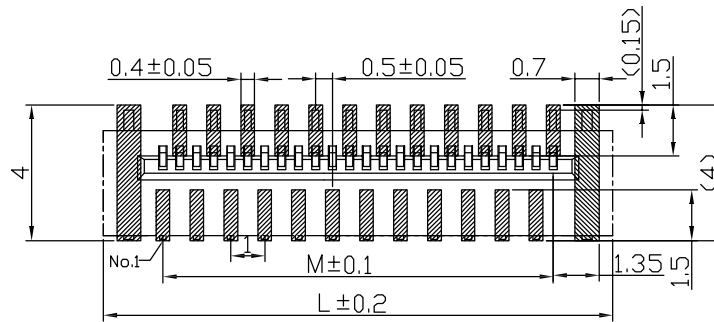
Fitting Nail: Phosphor bronze
 All materials must meet XI BANG
 requirement for environment protection

E

D



C

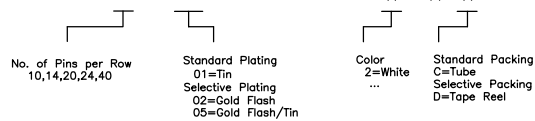


No. pins	Dim. Info.		
	M	L1	L
08	3.5	4.56	7.0
10	4.5	5.56	8.0
12	5.5	6.56	9.0
14	6.5	7.56	10.0
16	7.5	8.56	11.0
20	9.5	10.56	13.0
22	10.5	11.56	14.0
24	11.5	12.56	15.0
25	12.0	13.06	15.5
26	12.5	13.56	16.0
32	15.5	16.56	19.0

B

Ordering Information

XB-FPC-05-111A



A

东莞市溪榜电子有限公司
 DONG GUAN XI BANG ELECTRONICS CO., LTD

GENERAL TOLERANCE

X.* ± 1.5°	X. ± .
.X* ± 1.0°	.X ± 0.30
.XX* ± 0.5°	.XX ± 0.20
.XXX* ± 0.3°	.XXX ± 0.10

DESIGN:	DATE:
CHECKED:	DATE:
AUDITED:	DATE:

DWG. NO.	TITLE.
XB-FPC-05-111A	PITCH 0.50mm FPC
PART NO.	立貼正腳

REV. E1	UNIT. mm	SCALE. 4:1	PAGE. 1/1
---------	----------	------------	-----------

1 2 3 4 5 6 7 8 9

F

E

D

C

B

A