

F

E

D

C

B

A

F

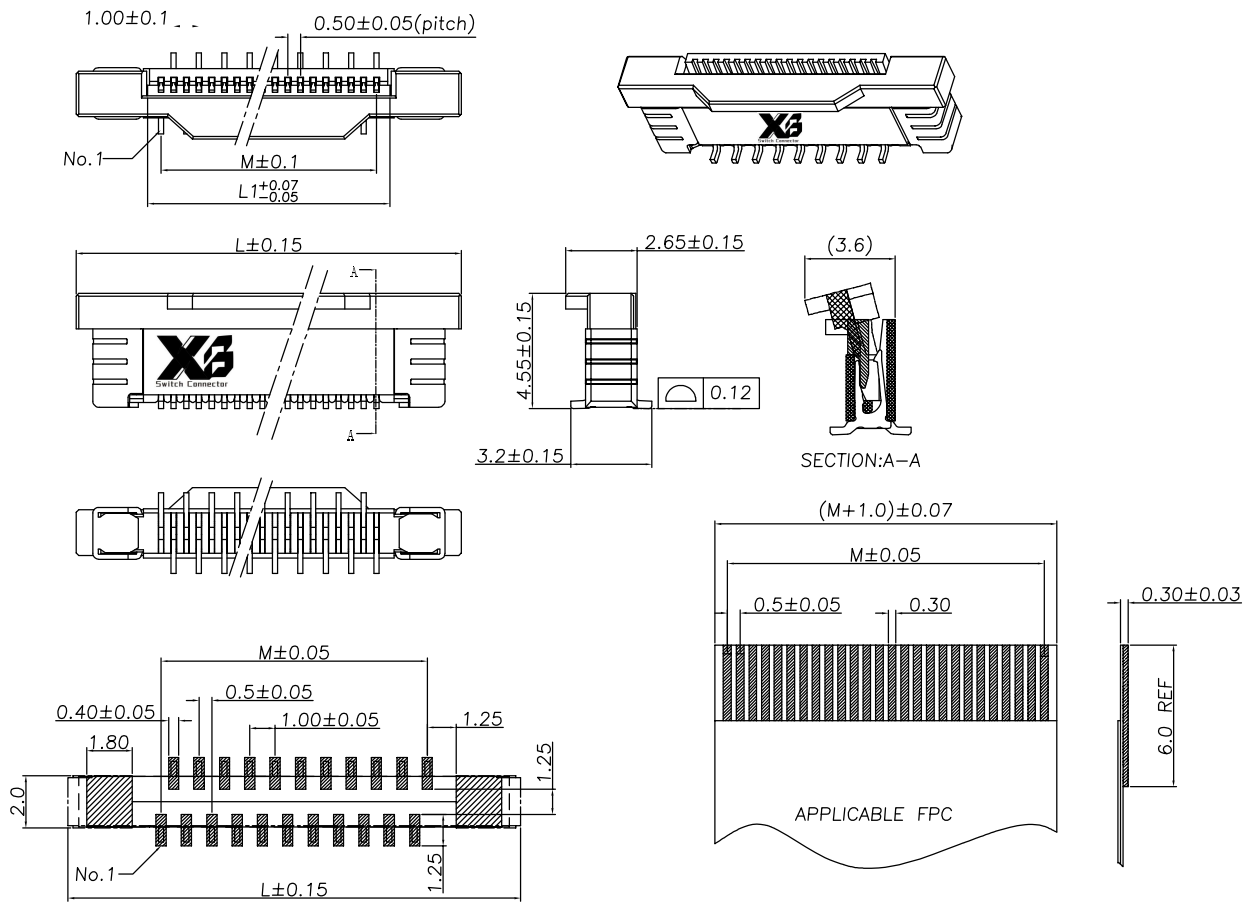
E

D

C

B

A



Specifications
 Current Rating:0.5Amp
 Insulation Resistance:500MΩ Min.
 Dielectric Withstanding Voltage:500VAC
 Contact Resistance:30mΩ Max.
 Operating Temperature:-25°C to +85°C
 Materials
 Contact Material:Phosphor Bronze
 Insulator Material:High Temperature Thermoplastic, UL 94V-0 LCP(Nylon) or the equivalent material
 All materials must meet XI BANG hazardous substances control standards.

Pins	M	L1	L	Pins	M	L1	L
11	5.0	6.06	11.7	36	17.5	18.56	24.2
12	5.5	6.56	12.2	37	18.0	19.06	24.7
13	6.0	7.06	12.7	38	18.5	19.56	25.2
14	6.5	7.56	13.2	39	19.0	20.06	25.7
15	7.0	8.06	13.7	40	19.5	20.56	26.2
16	7.5	8.56	14.2	41	20.0	21.06	26.7
17	8.0	9.06	14.7	42	20.5	21.56	27.2
18	8.5	9.56	15.2	43	21.0	22.06	27.7
19	9.0	10.06	15.7	44	21.5	22.56	28.2
20	9.5	10.56	16.2	45	22.0	23.06	28.7
21	10.0	11.06	16.7	46	22.5	23.56	29.2
22	10.5	11.56	17.2	47	23.0	24.06	29.7
23	11.0	12.06	17.7	48	23.5	24.56	30.2
24	11.5	12.56	18.2	49	24.0	25.06	30.7
25	12.0	13.06	18.7	50	24.5	25.56	31.2
26	12.5	13.56	19.2	51	25.0	26.06	31.7
27	13.0	14.06	19.7	52	25.5	26.56	32.2
28	13.5	14.56	20.2	53	26.0	27.06	32.7
29	14.0	15.06	20.7	54	26.5	27.56	33.2
30	14.5	15.56	21.2	55	27.0	28.06	33.7
31	15.0	16.06	21.7	56	27.5	28.56	34.2
32	15.5	16.56	22.2	57	28.0	29.06	34.7
33	16.0	17.06	22.7	58	28.5	29.56	35.2
34	16.5	17.56	23.2	59	29.0	30.06	35.7
35	17.0	18.06	23.7	60	29.5	30.56	36.2

Ordering Information

XB-FPC-05-107-A003~A004 - XX XX A 003 C X A X

No. of Pins per Row 11~60 Standard Plating 02=Gold Flash Color 2=White
 Selective Plating 01=Tin Standard Packing H=Tape&Reel+Mylar
 05=Gold Flash/Tin

XB 东莞市溪榜电子有限公司
 DONG GUAN XI BANG ELECTRONICS CO., LTD

GENERAL TOLERANCE	
X.*±3.0°	X.±
.X*±1.0°	.X±0.25
.XX*±	.XX±0.15
.XXX*±	.XXX±0.10

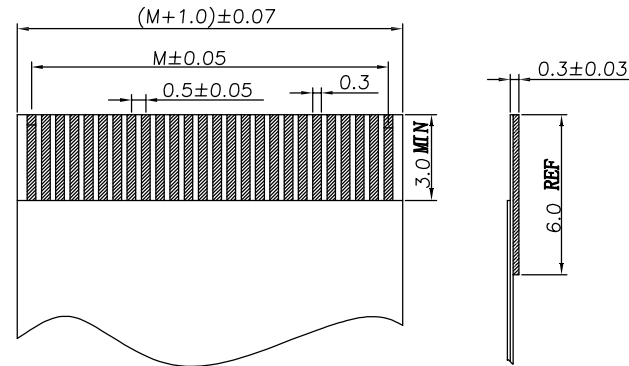
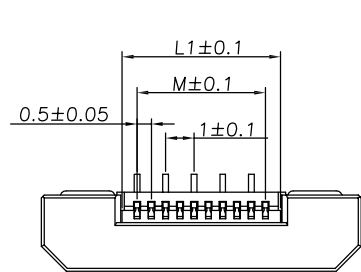
DESIGNED:
 CHECKED:
 APPROVED:

DATE:
 DATE:
 DATE:

DWG. NO.
 XB-FPC-05-107-A003~A004
 PART NO.
 -

TITLE:
 0.5 FPC CONN,ZIF SMT
 DRAWER H=2.65 VERTICAL
 CONTACT

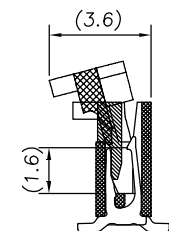
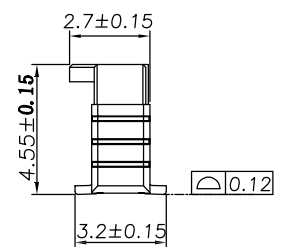
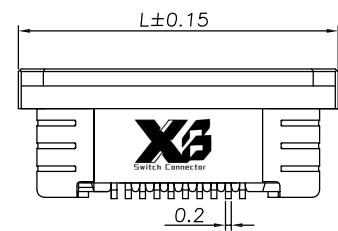
REV.	UNIT.	SCALE.	PAGE.	Symbol
01	mm	1:1	1/1	



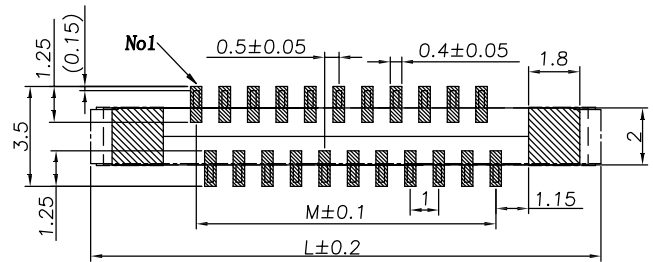
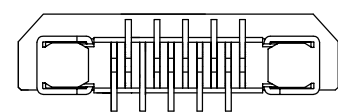
适用FPC寸法
APPLICABLE FPC

NOTES:

- MATERIAL
CONTACT: Phosphor Bronze
FITTING NAIL: Phosphor Bronze
HOUSING: LCP UL94V-0
ACTUATOR: LCP UL 94V-0
- PLATING SEE TABLE;
- RATING
3-1. OPERATING TEMPERATURE: -25~85°C
3-2. OPERATING VOLTAGE: 50V AC/DC
3-3. CURRENT RATING: 0.5 AMPS
3-4. DIELECTRIC WITHSTANDING VOLTAGE: 500V AC/Minute;
3-5. INSULATION RESISTANCE: 500MΩ Min;
3-6. CONTACT RESISTANCE: 0.03Ω Max;



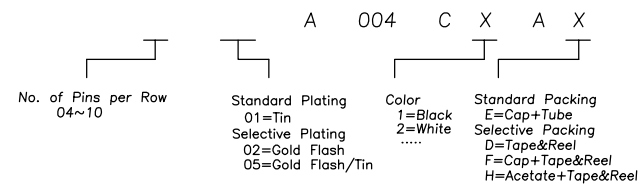
SECTION A-A



适用线路板
RECOMMENDED PCB LAYOUT

No of Pins/Row	M	L1	L
04	1.50	2.56	8.20
05	2.00	3.06	8.70
06	2.50	3.56	9.20
07	3.00	4.06	9.70
08	3.50	4.56	10.20
09	4.00	5.06	10.70
10	4.50	5.56	11.20

Ordering Information



东莞市溪榜电子有限公司
DONG GUAN XI BANG ELECTRONICS CO., LTD

GENERAL TOLERANCE	
X.*±5.0°	X.±/
.X*±3.0°	.X±0.30
.XX*±2.0°	.XX±0.20
.XXX*±1.0°	.XXX±0.08

DESIGNED:
CHECKED:
APPROVED:

DATE:
DATE:
DATE:

DWG. NO.
XB-FPC-05-107-A003~A004-A
PART NO.

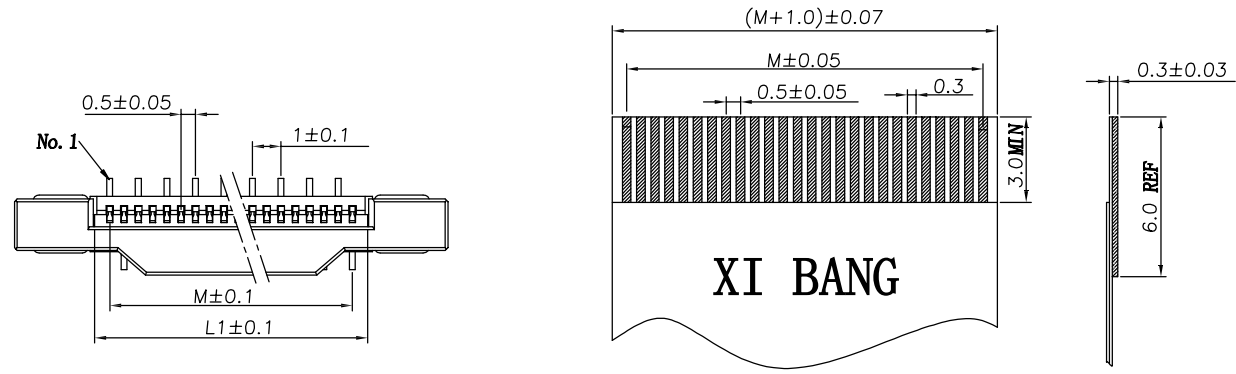
TITLE:
FFC/FPC CONNECTOR
PITCH 0.50 mm

REV.	UNIT.	SCALE.	PAGE.
02	mm	1:1	1/2

1 2 3 4 5 6 7 8 9

F

F

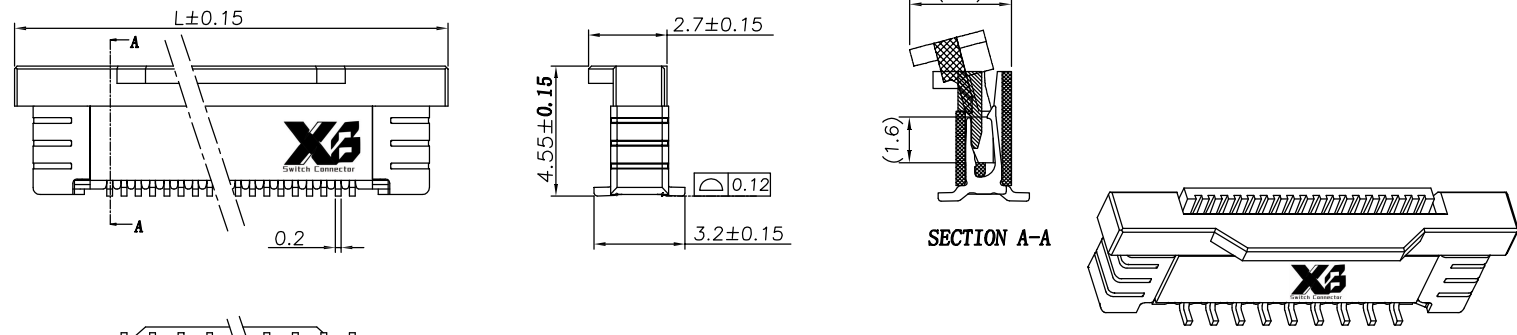


适用FPC 寸法
APPLICABLE FPC

- NOTES:
- MATERIAL
CONTACT: Phosphor Bronze
FITTING NAIL: Phosphor Bronze
HOUSING: LCP UL94V-0
ACTUATOR: LCP UL 94V-0
 - PLATING SEE TABLE;
 - RATING
3-1. OPERATING TEMPERATURE: -25~85°C
3-2. OPERATING VOLTAGE: 50V AC/DC
3-3. CURRENT RATING: 0.5 AMPS
3-4. DIELECTRIC WITHSTANDING VOLTAGE: 500V AC/Minute;
3-5. INSULATION RESISTANCE: 500MΩ Min;
3-6. CONTACT RESISTANCE: 0.03Ω Max;

E

E



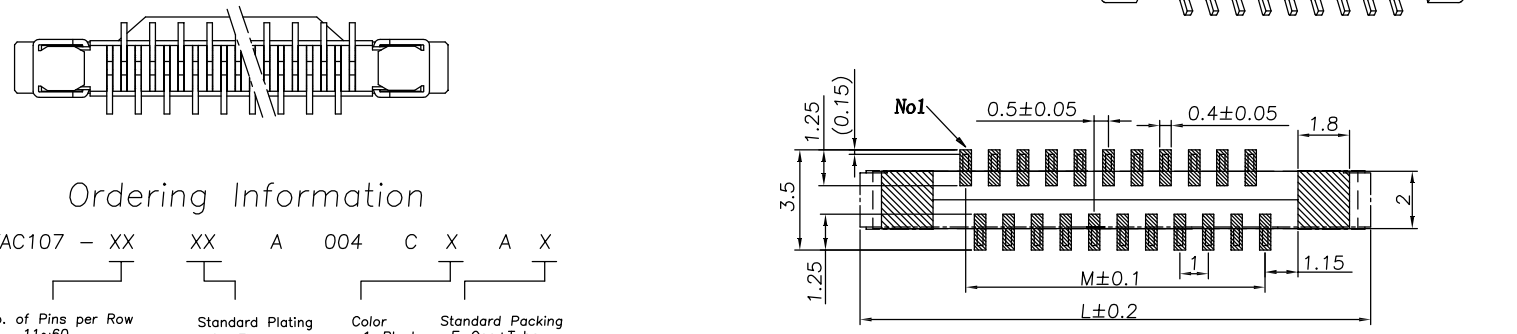
SECTION A-A

D

D

C

C



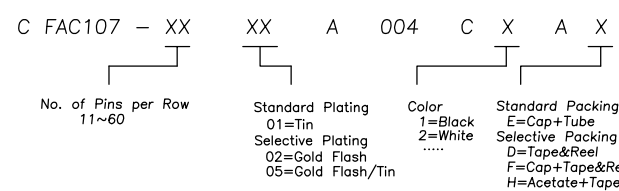
适用线路板
RECOMMENDED PCB LAYOUT

No of Pins/Row	M	L1	L	No of Pins/Row	M	L1	L
11	5.00	6.06	11.70	36	17.50	18.56	24.20
12	5.50	6.56	12.20	37	18.00	19.06	24.70
13	6.00	7.06	12.70	38	18.50	19.56	25.20
14	6.50	7.56	13.20	39	19.00	20.06	25.70
15	7.00	8.06	13.70	40	19.50	20.56	26.20
16	7.50	8.56	14.20	41	20.00	21.06	26.70
17	8.00	9.06	14.70	42	20.50	21.56	27.20
18	8.50	9.56	15.20	43	21.00	22.06	27.70
19	9.00	10.06	15.70	44	21.50	22.56	28.20
20	9.50	10.56	16.20	45	22.00	23.06	28.70
21	10.00	11.06	16.70	46	22.50	23.56	29.20
22	10.50	11.56	17.20	47	23.00	24.06	29.70
23	11.00	12.06	17.70	48	23.50	24.56	30.20
24	11.50	12.56	18.20	49	24.00	25.06	30.70
25	12.00	13.06	18.70	50	24.50	25.56	31.20
26	12.50	13.56	19.20	51	25.00	26.06	31.70
27	13.00	14.06	19.70	52	25.50	26.56	32.20
28	13.50	14.56	20.20	53	26.00	27.06	32.70
29	14.00	15.06	20.70	54	26.50	27.56	33.20
30	14.50	15.56	21.20	55	27.00	28.06	33.70
31	15.00	16.06	21.70	56	27.50	28.56	34.20
32	15.50	16.56	22.20	57	28.00	29.06	34.70
33	16.00	17.06	22.70	58	28.50	29.56	35.20
34	16.50	17.56	23.20	59	29.00	30.06	35.70
35	17.00	18.06	23.70	60	29.50	30.56	36.20

B

B

Ordering Information



A

A

东莞市溪榜电子有限公司 DONG GUAN XI BANG ELECTRONICS CO., LTD	GENERAL TOLERANCE		DESIGNED:	DATE:	DWG. NO.	TITLE: FFC/FPC CONNECTOR PITCH 0.50 mm
	X.*±5.0°	X.±/	CHECKED:	DATE:	XB-FPC-05-107-A003~A004-B	
	.X*±3.0°	.X±0.30	APPROVED:	DATE:	PART NO.	
	.XX*±2.0°	.XX±0.20				
REV. 02	UNIT. mm	SCALE. 1:1	PAGE. 2/2			

1 2 3 4 5 6 7 8 9