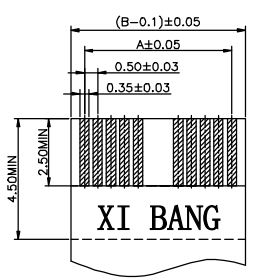
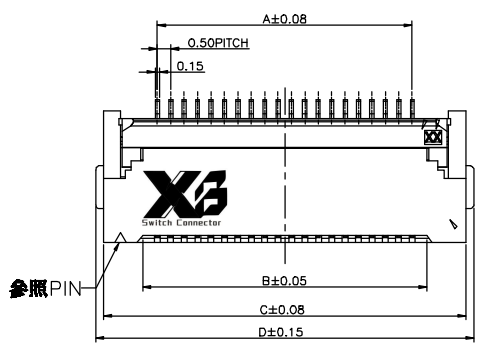
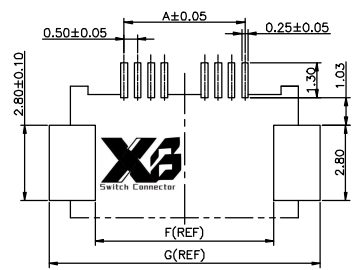
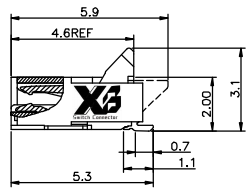
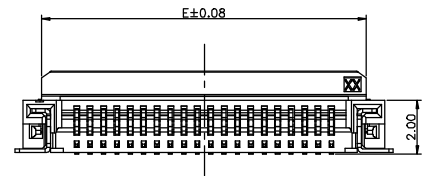


1 2 3 4 5 6 7 8 9

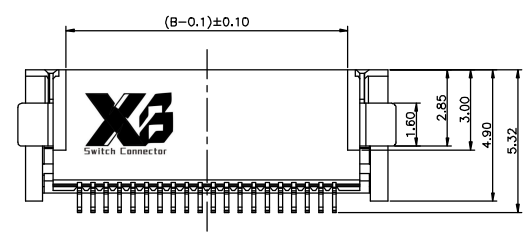


APPLICABLE FPC/FFC
T=0.30±0.03

NOTE:
MATERIAL:
HOUSING:LCP UL 94V-0 COLOR:NATURAL
COVER:LCP UL 94V-0 COLOR:BLACK
CONTACT:PHOSPHOR BRONZE
TEMPERATURE:-20°C+85°C
SPECIFICATION:
VOLTAGE:50V
CURRENT:0.5A
CONTCT RESISTANCE:50mΩMAX
DIELECTRIC WITHSTANDING VOLTAGE:250V AC



RECOMMENDED PCB LAYOUT



| No. of PIN/ROW | A | B | C | D | E | F | G |
|----------------|------|------|------|------|------|------|------|
| 04 | 1.5 | 2.6 | 5.5 | 6.1 | 4.1 | 3.9 | 7.1 |
| 05 | 2.0 | 3.1 | 6.0 | 6.6 | 4.6 | 4.4 | 7.6 |
| 06 | 2.5 | 3.6 | 6.5 | 7.1 | 5.1 | 4.9 | 8.1 |
| 08 | 3.5 | 4.6 | 7.5 | 8.1 | 6.1 | 5.9 | 9.1 |
| 09 | 4.0 | 5.1 | 8.1 | 8.6 | 6.6 | 6.4 | 9.6 |
| 10 | 4.5 | 5.6 | 8.5 | 9.1 | 7.1 | 6.9 | 10.1 |
| 12 | 5.5 | 6.6 | 9.5 | 10.1 | 8.1 | 7.9 | 11.1 |
| 14 | 6.5 | 7.6 | 10.5 | 11.1 | 9.1 | 8.9 | 12.1 |
| 16 | 7.5 | 8.6 | 11.5 | 12.1 | 10.1 | 9.9 | 13.1 |
| 18 | 8.5 | 9.6 | 12.5 | 13.1 | 11.1 | 10.9 | 14.1 |
| 20 | 9.5 | 10.6 | 13.5 | 14.1 | 12.1 | 11.9 | 15.1 |
| 22 | 10.5 | 11.6 | 14.5 | 15.1 | 13.1 | 12.9 | 16.1 |
| 24 | 11.5 | 12.6 | 15.5 | 16.1 | 14.1 | 13.9 | 17.1 |
| 26 | 12.5 | 13.6 | 16.5 | 17.1 | 15.1 | 14.9 | 18.1 |
| 28 | 13.5 | 14.6 | 17.5 | 18.1 | 16.1 | 15.9 | 19.1 |
| 30 | 14.5 | 15.6 | 18.5 | 19.1 | 17.1 | 16.9 | 20.1 |
| 32 | 15.5 | 16.6 | 19.5 | 20.1 | 18.1 | 17.9 | 21.1 |
| 34 | 16.5 | 17.6 | 20.5 | 21.1 | 19.1 | 18.9 | 22.1 |
| 36 | 17.5 | 18.6 | 21.5 | 22.1 | 20.1 | 19.9 | 23.1 |
| 38 | 18.5 | 19.6 | 22.5 | 23.1 | 21.1 | 20.9 | 24.1 |
| 40 | 19.5 | 20.6 | 23.5 | 24.1 | 22.1 | 21.9 | 25.1 |
| 42 | 20.5 | 21.6 | 24.5 | 25.1 | 23.1 | 22.9 | 26.1 |
| 45 | 22.0 | 23.1 | 26.0 | 26.6 | 24.6 | 24.4 | 27.6 |
| 50 | 24.5 | 25.6 | 28.5 | 29.1 | 27.1 | 26.9 | 30.1 |
| 54 | 26.5 | 27.6 | 30.5 | 31.1 | 29.1 | 28.9 | 32.1 |
| 56 | 27.5 | 28.6 | 31.5 | 32.1 | 30.1 | 29.9 | 33.1 |
| 58 | 28.5 | 29.6 | 32.5 | 33.1 | 31.1 | 30.9 | 34.1 |
| 60 | 29.5 | 30.6 | 33.5 | 34.1 | 32.1 | 31.9 | 35.1 |

Ordering Information

XB-FPC-05-102-A043 - XX XX A043 C X S X

No. of Pins per Row
04~60

Standard Plating
O2=Gold Flash
Selective Plating
O1=Tin

Color
1=Black

Standard Packing
C=Tube
Selective Packing
D=Tape Reel

X3 东莞市溪榜电子有限公司
DONG GUAN XI BANG ELECTRONICS CO., LTD

| REV. | UNIT. | SCALE. | PAGE. |
|------|-------|--------|-------|
| A | mm | 5:1 | 1/1 |

| GENERAL TOLERANCE | |
|-------------------|----------|
| X.±5.0' | X.±0.30 |
| .X'±3.0' | .X±0.25 |
| .XX'±2.0' | .XX±0.20 |
| .XXX'±1.0' | .XXX±/ |

DESIGNED:
CHECKED:
APPROVED:

DATE:
DATE:
DATE:

DWG. NO.
XB-FPC-05-102-A043
PART NO.

TITLE:
0.5 FPC

1 2 3 4 5 6 7 8 9