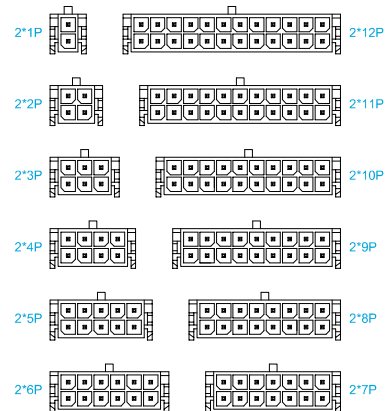
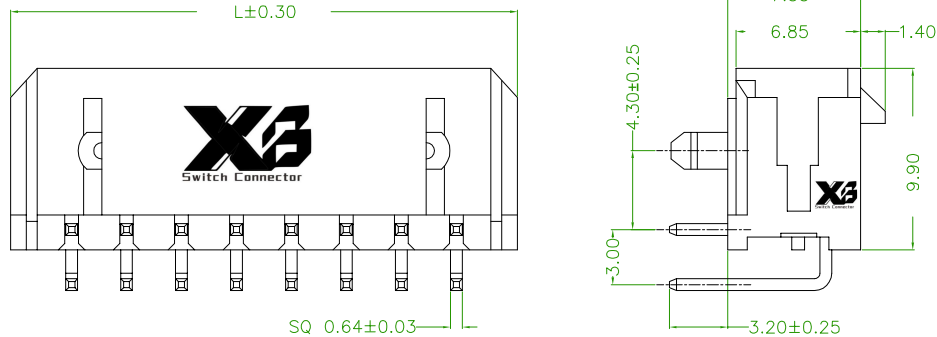


Poles	Dimensions (mm)		Poles	Dimensions (mm)	
	M	L		M	L
01	—	6.65	07	18.00	24.65
02	3.00	9.65	08	21.00	27.65
03	6.00	12.65	09	24.00	30.65
04	9.00	15.65	10	27.00	33.65
05	12.00	18.65	11	30.00	36.65
06	15.00	21.65	12	33.00	39.65

Specifications :

Voltage rating: 250V AC / DC
 Current rating: 5A AC / DC
 Withstanding voltage: 1000V AC/minute
 Temperature range: -25°C~+85°C
 Insulation resistance: ≥1000MΩ
 Contact resistance: ≤10mΩ
 After environmental testing: ≤20mΩ



Scale 1:3

Series No.

Category: wafer

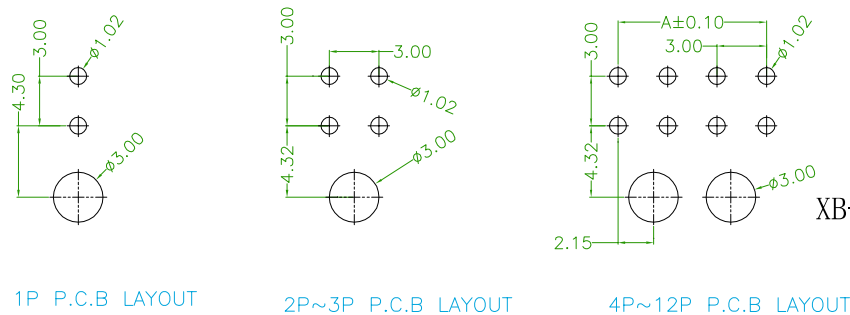
Welding Board Angle: 90°

Welding Way: DIP

Material: PBT 94V-0

Material(Pin): Brass

All materials must meet XI BANG requirement for environment protection.

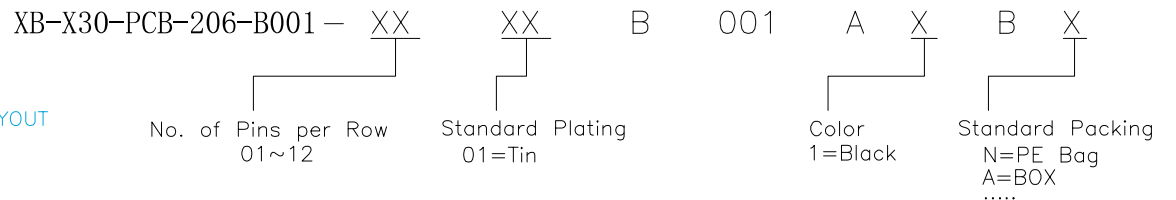


1P P.C.B LAYOUT

2P~3P P.C.B LAYOUT

4P~12P P.C.B LAYOUT

Ordering Information



东莞市溪榜电子有限公司
 DONG GUAN XI BANG ELECTRONICS CO., LTD

REV. 01 UNIT. mm SCALE. 1:1 PAGE. 1/1

GENERAL TOLERANCE	
X.*±/	X.±/
.X*±/	.X±0.30
.XX*±/	.XX±0.20
.XXX*±/	.XXX±0.10

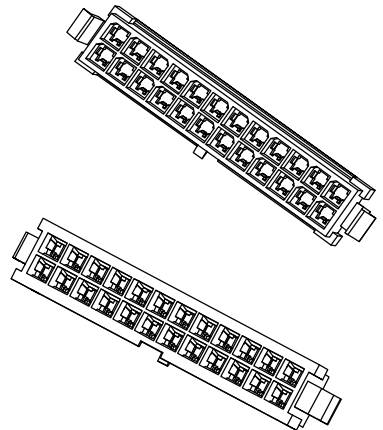
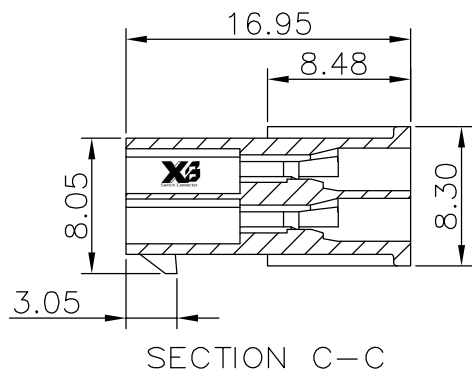
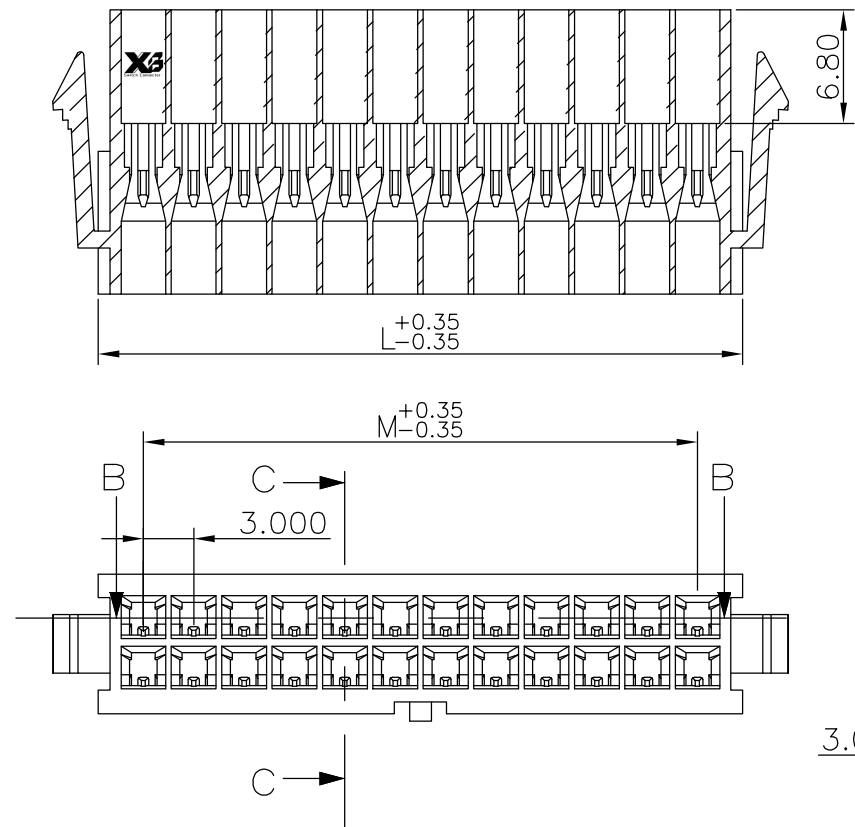
DESIGN:
CHECKED:
AUDITED:

DATE:
DATE:
DATE:

DWG. NO.
XB-X30-PCB-206-B001
PART NO.

TITLE.
3.00mm Crimp Style Connectors

SECTION B-B



Specifications
 Current Rating: 5A AC
 Current Voltage: 250V AC
 Insulation Resistance: >1000MΩ
 Dielectric Withstanding Voltage: 1500VAC
 Contact Resistance: ≤10mΩ
 Operating Temperature: -40°C to +105°C

Materials
 Insulator Material: Nylon-66, UL 94V-2
 Mating Terminal: GRZ1D1-T1
 All materials must meet XI BANG hazardous substances control standards.

No. of Pins/Row	Dimensions Information	
	M	L
01		5.40
02	3.00	8.40
03	6.00	11.40
04	9.00	14.40
05	12.00	17.40
06	15.00	20.40
07	18.00	23.40
08	21.00	26.40
09	24.00	29.40
10	27.00	32.40
11	30.00	35.40
12	33.00	38.40

Ordering Information

XB-X30-PCB-206-B001M- XX A XX
 No. of Pins Per Row SEE TABLE Materials /Color MI=Nylon66/Black

XB 东莞市溪榜电子有限公司
 DONG GUAN XI BANG ELECTRONICS CO., LTD

REV. A UNIT. mm SCALE. 1:1

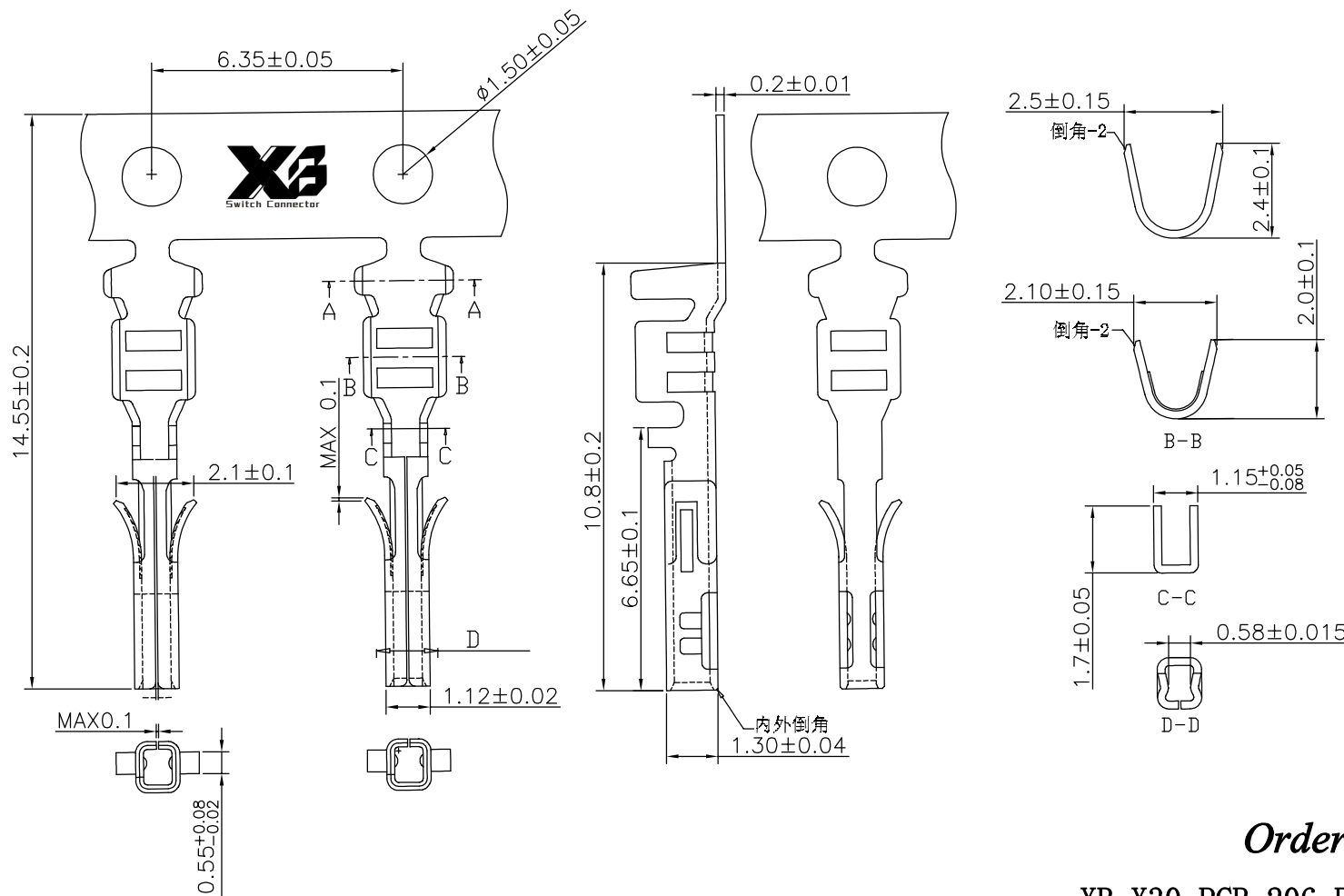
3RD.ANG PROJ. PAGE. 1/1

GENERAL TOLERANCE	
X.*±/*	X.±/
.X*±/*	.X±0.25
.XX*±/*	.XX±0.15
.XXX*±/*	.XXX±0.10

DESIGNED:	DATE:
CHECKED:	DATE:
APPROVED:	DATE:

DWG. NO. XB-X30-PCB-206-B001M
 PART NO.

TITLE. 3.00mm PITCH Terminal



Specifications
 Current Rating: 5A AC
 Current Voltage: 250V AC
 Contact Resistance: $\leq 10m\Omega$
 Operating Temperature: $-40^{\circ}C$ to $+105^{\circ}C$
 Insulation O.D.: 1.85mm (max)
 Wire Range : AWG#20~#24

Materials
 Terminal Material: Phosphor Bronze
 Mating Housing: GHZ331-HA
 All materials must meet XI BANG hazardous substances control standards.

Ordering Information

XB-X30-PCB-206-B001D **XX** **XX**

Standard Plating
 01=Tin

Materials
 AB=Phosphor bronze

XB 东莞市溪榜电子有限公司
 DONG GUAN XI BANG ELECTRONICS CO., LTD

REV. A UNIT. mm SCALE. 1:1

3RD.ANG PROJ.
 PAGE. 1/1

GENERAL TOLERANCE	
X.*±/*	X.±/
.X*±/*	.X±0.25
.XX*±/*	.XX±0.15
.XXX*±/*	.XXX±0.10

DESIGNED:
 CHECKED:
 APPROVED:

DATE:
 DATE:
 DATE:

DWG. NO.
 XB-X30-PCB-206-B001D
 PART NO.

TITLE.
 3.00mm PITCH Terminal