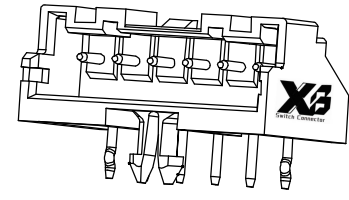
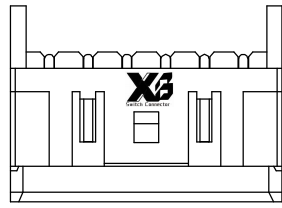


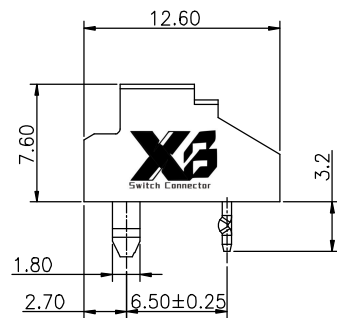
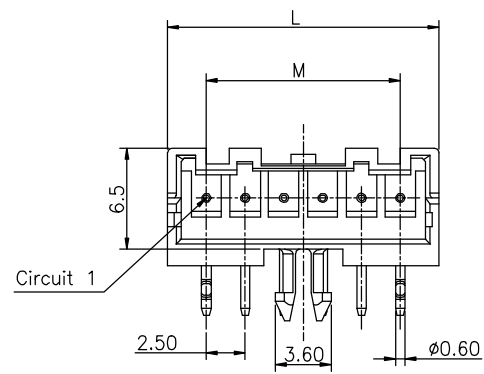
1 2 3 4 5 6 7 8 9

F



Specifications
 Voltage Rating:250V AC/DC
 Current Rating:3A AC/DC
 Withstanding Volatge:1000V AC/Minute
 Temperature Range:-25°C to +85°C
 Insulation Resistance:1000MΩ Min.
 Contact Resistance:10mΩ Max.
 After environmental testing:20mΩ Max
 Materials
 Contact Material: Brass
 Insulator Material:High Temperature Thermoplastic, UL 94V-0 PA66(Nylon) or the equivalent material
 All materials must meet XI BANG hazardous substances control standards.

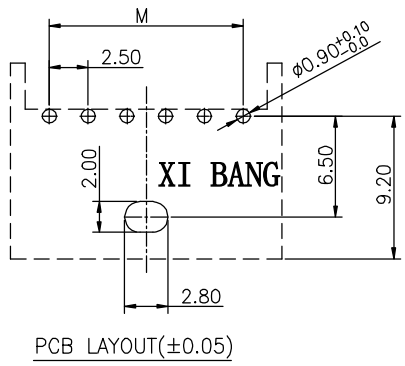
E



D

Pins	Dimensions(mm)		Pins	Dimensions(mm)	
	M	L		M	L
02	2.50	7.50	11	25.00	30.0
03	5.00	10.0	12	27.50	32.50
04	7.50	12.50	13	30.00	35.0
05	10.00	15.0	14	32.50	37.50
06	12.50	17.50	15	35.00	40.0
07	15.00	20.0			
08	17.50	22.50			
09	20.00	25.0			
10	22.50	27.50			

C



Ordering Information

XB-X25-PCB-123-B001 - XX XX B 001 E X Z X

No. of Pins per Row 02~15 Standard Plating 01=Tin Color 02=White Standard Packing N=PE Bag

B

A

东莞市溪榜电子有限公司 DONG GUAN XI BANG ELECTRONICS CO., LTD	GENERAL TOLERANCE		DESIGNED:	DATE:	DWG. NO.	TITLE.
	X.±	X.±			XB-X25-PCB-123-B001	
	.X'±	.X±0.30	CHECKED:	DATE:	PART NO.	Pitch 2.50mm Crimp Style Connectors
	.XX'±	.XX±0.20	APPROVED:	DATE:		
REV. A	UNIT. mm	SCALE. 1:1	PAGE. 1/1			

1 2 3 4 5 6 7 8 9

F

E

D

C

B

A