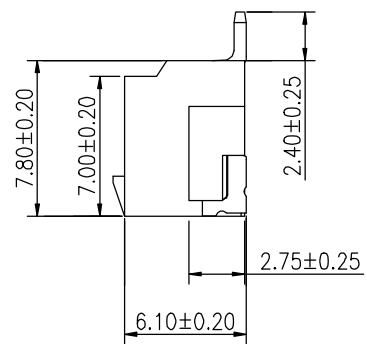


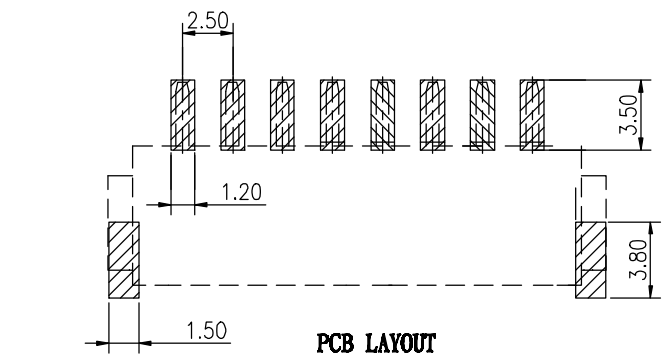
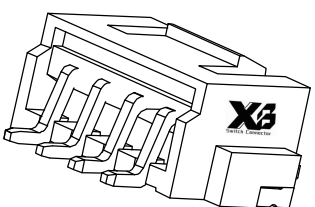
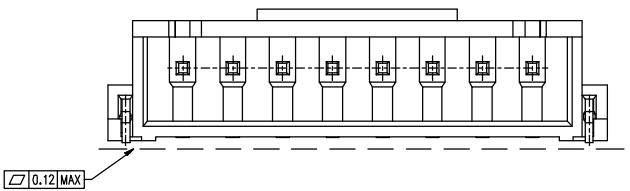
2PIN 示意图



NOTES:

CURRENT RATING:3A AC/DC.
 VOLTAGE RATING:250V AC/DC
 TEMPERATURE RANGE:-40°C~+105°C.
 CONTACT RESISTANCE:10mΩ Max.
 INSULATION RESISTANCE:1000MΩ Min.
 WITHSTANDING VOLTAGE: 800V AC/MINUTE.
 MATERIAL:
 HOUSING:LCP UL94V-0
 CONTACT: COPPER ALLOY

No. of PIN/ROW	Dimension Information		
	M	L	L1
02	2.50	7.50	10.00
03	5.00	10.00	12.50
04	7.50	12.50	15.00
05	10.00	15.00	17.50
06	12.50	17.50	20.00
07	15.00	20.00	22.50
08	17.50	22.50	25.00
09	20.00	25.00	27.50
10	22.50	27.50	30.00
11	25.00	30.00	32.50
12	27.50	32.50	35.00
13	30.00	35.00	37.50
14	32.50	37.50	40.00
15	35.00	40.00	42.50
16	37.50	42.50	45.00



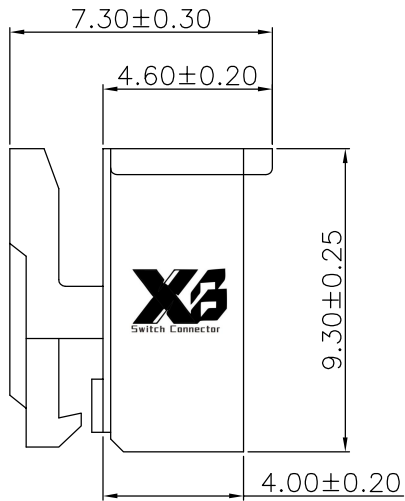
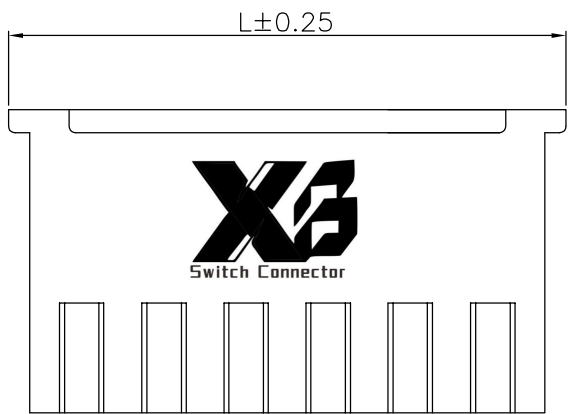
PCB LAYOUT

Ordering Information

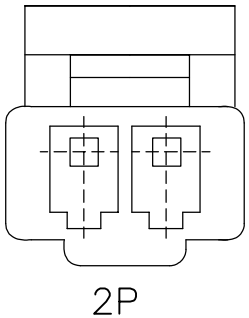
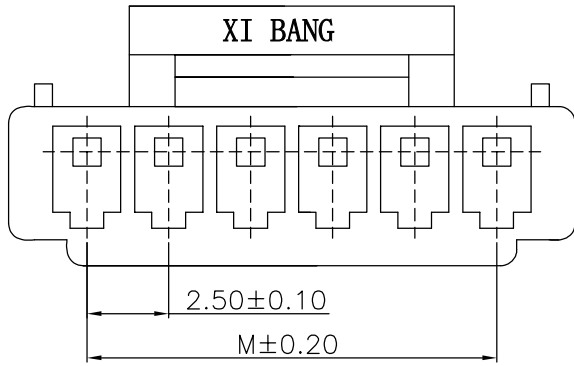
XB-X25-PCB-105-A002-XX XX A 002 C X B X

No. of Pins per Row 02~16 Standard Plating 01=Tin Color 1=Black Standard Packing D=Tape&Reel
 Selective Plating 02=Gold Flash 2=White Selective Packing B=Tray
 22=Matte Tin

东莞市溪榜电子有限公司 DONG GUAN XI BANG ELECTRONICS CO., LTD	3RD.ANG PROJ. 	GENERAL TOLERANCE		DESIGNED:	DATE:	DWG. NO. XB-X25-PCB-105-A002	TITLE. 2.50mm pitch wafer SMT
		X'±3.0'	X±/				
REV. A	UNIT. mm	SCALE. 1:1	PAGE. 1/1	.XX'±1.5'	.XX±0.25	APPROVED:	DATE:
				.XXX'±1.0'	.XXX±0.15		



Specifications
 Current Rating: 3A
 Voltage Rating: 250V
 Insulation Resistance: 1000MΩ Min.
 Dielectric Withstanding Voltage: 100VAC
 Contact Resistance: 20mΩ Max.
 Operating Temperature: -25°C to +105°C
Materials
 Insulator Material: Nylon-66, UL94V-0
 Mating With:
 Terminal: GRG115-T1
 Wafer: GWGB102-805/GWGD105-A002
 All materials must meet XI BANG hazardous substances control standards.

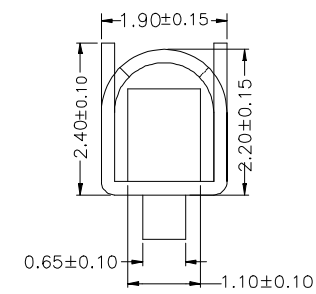
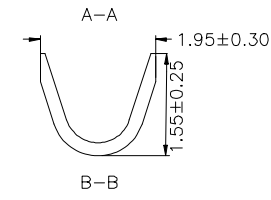
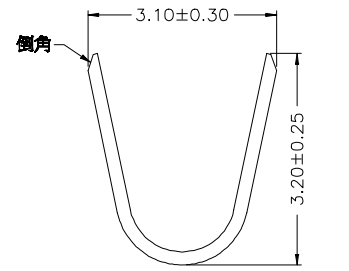
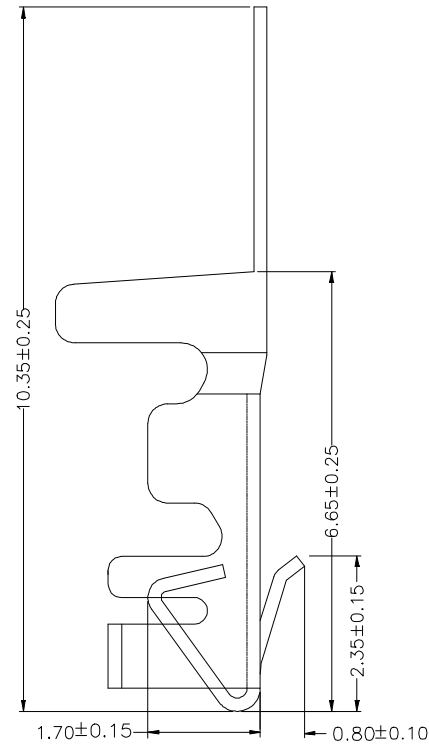
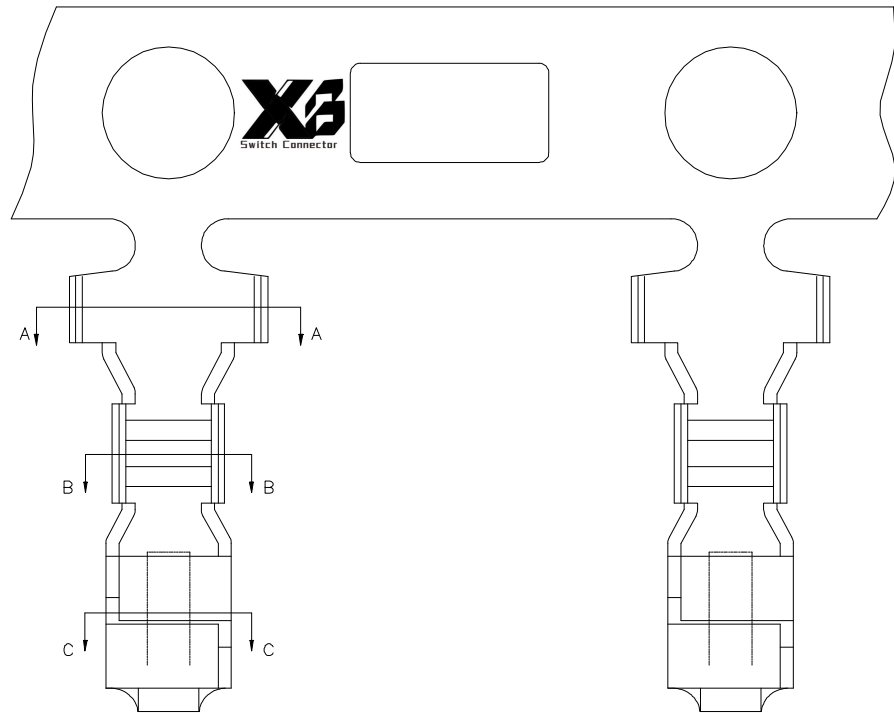


Ordering Information

XB-X25-PCB-105-A002M- XX A XX
 No. of Pins SEE TABLE
 Materials /Color P1=NY66/White

No. of Pins/Row	Dimension Information	
	M	L
02	2.50	6.80
03	5.00	9.30
04	7.50	11.80
05	10.00	14.30
06	12.50	16.80
07	15.00	19.30
08	17.50	21.80
09	20.00	24.30
10	22.50	26.80
11	25.00	29.30
12	27.50	31.80
20	47.50	59.30

东莞市溪榜电子有限公司 DONG GUAN XI BANG ELECTRONICS CO., LTD	3RD. ANG PROJ. PAGE. 1/1	GENERAL TOLERANCE		DESIGNED:	DATE:	DWG. NO. XB-X25-PCB-105-A002M	TITLE. 2.50mm Pitch Housing				
		X.*±5.0°	X.±/					CHECKED:	DATE:		
		.X*±3.0°	.X±0.25							APPROVED:	DATE:
		.XX*±2.0°	.XX±0.15								
.XXX*±1.0°	.XXX±0.10										
REV. A	UNIT. mm	SCALE. 1:1									



C-C

Ordering Information

XB-X25-PCB-105-A002D XX XX

Standard Plating
01=Tin
02=Gold Flash

Materials
AB=Phosphor Bronze

Contact Material: Phosphor Bronze
 Finish: See Part Number
 Wire range: AWG#22~28
 Insulation O.D: 1.9mm(max)
 Qty/Reel: 7000
 All materials must meet XI BANG hazardous substances control standards.

XIB 东莞市溪榜电子有限公司 DONG GUAN XI BANG ELECTRONICS CO., LTD			
REV. B	UNIT. mm	SCALE. 1:1	PAGE. 1/1

GENERAL TOLERANCE	
X.±	X.±
.X'±	.X±0.25
.XX'±	.XX±0.15
.XXX'±	.XXX±0.10

DESIGNED:	DATE:
CHECKED:	DATE:
APPROVED:	DATE:

DWG. NO.	TITLE.
XB-X25-PCB-105-A002D	2.5mm pitch Terminal
PART NO.	

--	--

--	--