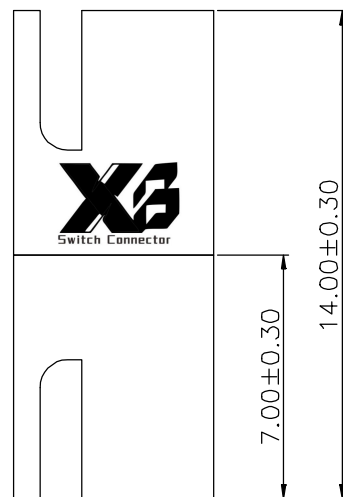
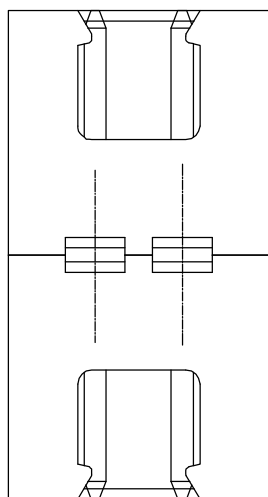
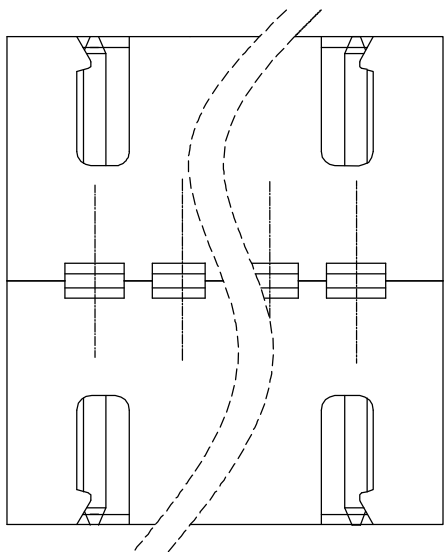


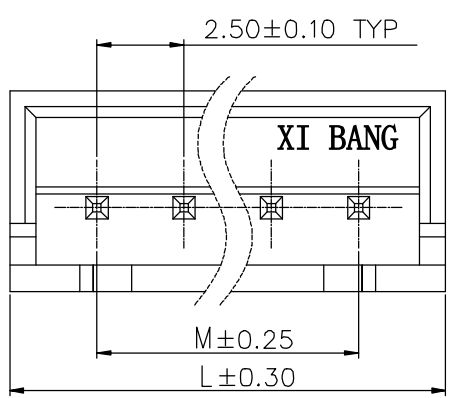
2P 示图



Specifications:
 Current rating:3A AC/DC.
 Voltage rating:250V AC/DC
 Temperature range:-40°C~+105°C.
 Contact resistance:10mΩ Max.
 Insulation resistance:1000MΩ Min.
 Withstanding voltage: 800V AC/minute.

MATERIAL:
 Housing:PA66 UL94V-0
 Contact:Copper Alloy

No. of pin/row	Dimensions	
	L	M
02	7.50	2.50
03	10.00	5.00
04	12.50	7.50
05	15.00	10.00
06	17.50	12.50
07	20.00	15.00
08	22.50	17.50
09	25.00	20.00
10	27.50	22.50
11	30.00	25.00
12	32.50	27.50
13	35.00	30.00
14	37.50	32.50
15	40.00	35.00
16	42.50	37.50
17	52.50	47.50



Ordering Information

XB-X25-PCB-101 XX XX A 001 E X B X

No. of Pins per Row 02~17
 Standard Plating 01=Tin
 Selective Plating 02=Gold Flash 22=Matte Tin ...
 Color 1=Black 2=White ...
 Standard Packing N=PE Bag ...

东莞市溪榜电子有限公司 DONG GUAN XI BANG ELECTRONICS CO., LTD	3RD.ANG PROJ. 	GENERAL TOLERANCE		DESIGNED:	DATE:	DWG. NO.	TITLE.
		X.±3.0'	X.±/			XB-X25-PCB-101	
		.X'±2.0'	.X±0.30	CHECKED:	DATE:	PART NO.	2.50mm pitch wafer 连体针座
REV. A	UNIT. mm	SCALE. 1:1	PAGE. 1/1	.XX'±1.5'	.XX±0.25		
				.XXX'±1.0'	.XXX±0.15		