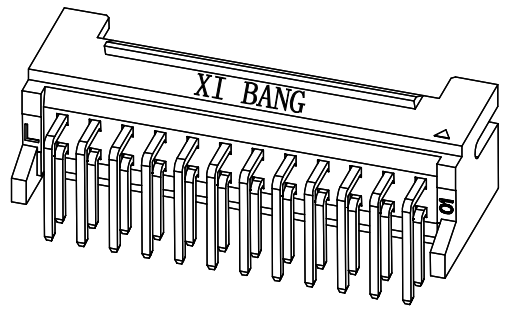
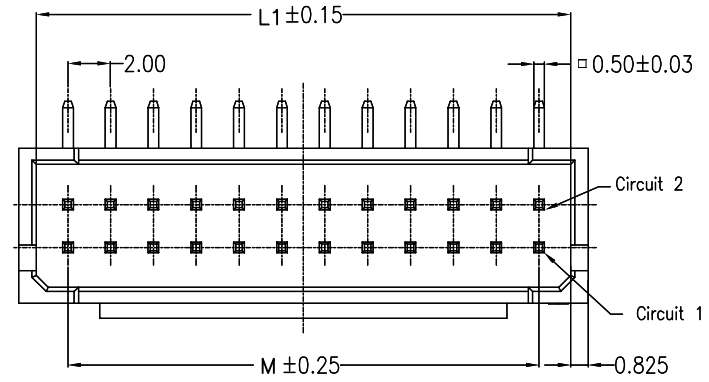


F



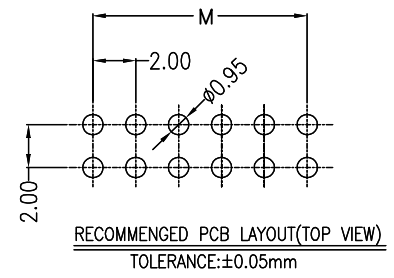
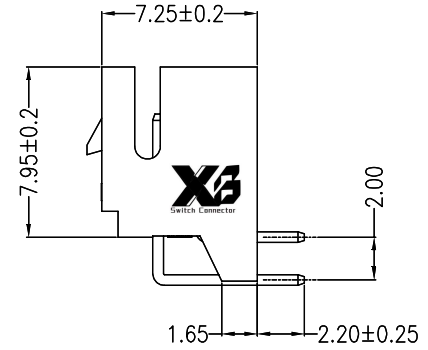
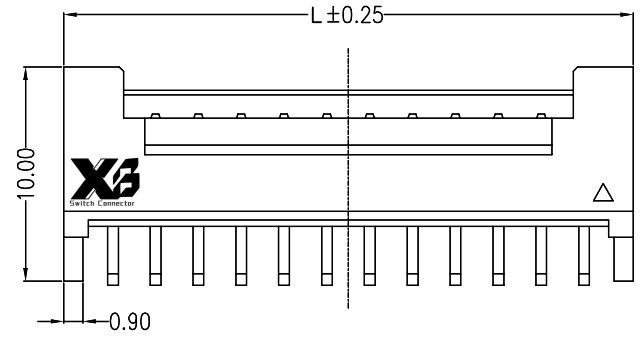
Specifications:  
 Contact resistance:  $\leq 30m\Omega$   
 Insulation resistance:  $\geq 1000M\Omega$   
 Rated voltage: 250V AC DC  
 Rated current: 3.0A AC DC  
 Withstand Voltage: 1000V AC/minute  
 Temperature Range:  $-25^{\circ}C \sim +85^{\circ}C$   
 Housing: LCP UL94V-0, Natural  
 Contacts: Brass  
 All materials must meet XI BANG hazardous substances control standards.

E

F

E

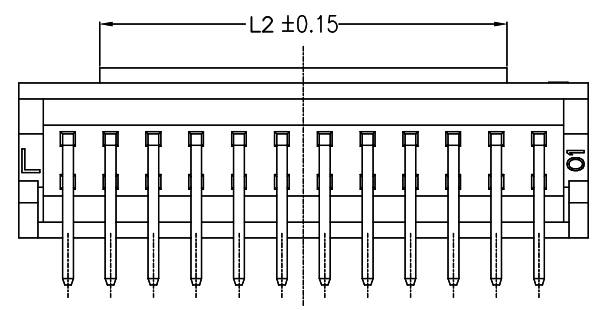
D



C

D

B



### Ordering Information

XB-X20-PCB-214-A002

A 002 C X B X  
 No. Of Pins Per Row 02~16      Standard Plating 01=Tin      Color 2=White 5=Beige      Standard Packing N=PE Bag D=T&R

No. Of Pins Per Row	Dimensions(mm)			
	M	L1	L	L2
02	2.00	4.95	6.60	3.00
03	4.00	6.95	8.60	3.00
04	6.00	8.95	10.60	3.00
05	8.00	10.95	12.60	5.00
06	10.00	12.95	14.60	7.00
07	12.00	14.95	16.60	9.00
08	14.00	16.95	18.60	11.00
09	16.00	18.95	20.60	13.00
10	18.00	20.95	22.60	15.00
11	20.00	22.95	24.60	17.00
12	22.00	24.95	26.60	19.00
13	24.00	26.95	28.60	21.00
14	26.00	28.95	30.60	23.00
15	28.00	30.95	32.60	25.00
16	30.00	32.95	34.60	27.00

A

B

A

东莞市溪榜电子有限公司 DONG GUAN XI BANG ELECTRONICS CO., LTD	3RD.ANG PROJ.	GENERAL TOLERANCE		DESIGNED:	DATE:	DWG. NO.	TITLE. 2.00 PITCH 90° WAVE DIP TYPE
	PAGE. 1/1	X.*±5.0°	X.±0.50	CHECKED:	DATE:	XB-X20-PCB-214-A002	
		.X*±3.0°	.X±0.30	APPROVED:	DATE:	PART NO.	
		.XX*±2.0°	.XX±0.20				
REV. A	UNIT. mm	SCALE. 1:1	.XXX*±1.0°	.XXX±/			

AQ