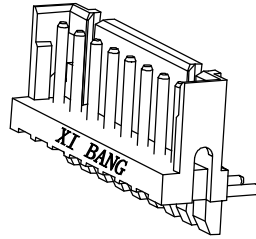
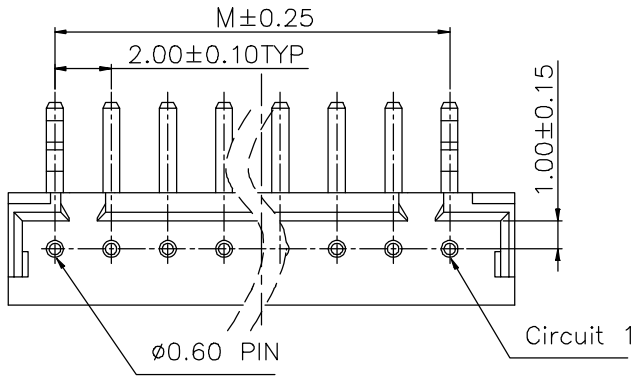


1 2 3 4 5 6 7 8 9

F

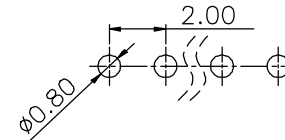
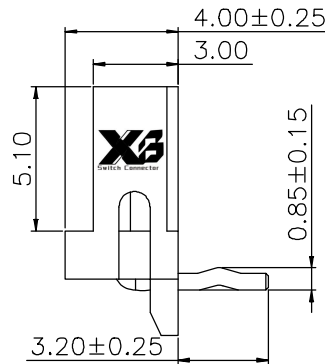
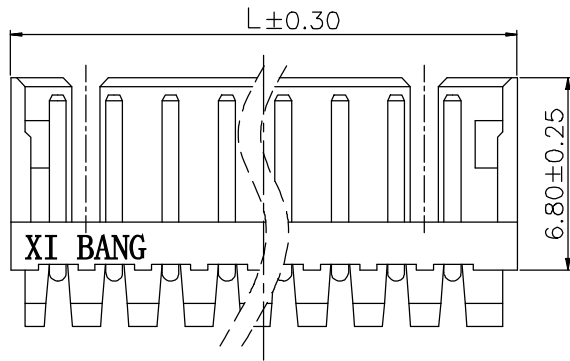


Specifications:
 Current rating:4A AC/DC.
 Voltage rating:125V AC/DC
 Temperature range:-40°C~+105°C.
 Contact resistance:10mΩ Max.
 Insulation resistance:1000MΩ Min.
 Withstanding voltage: 1000V AC/minute.

Material:
 Housing:PA66 UL94V-0
 Contact:Copper Alloy

No. of PIN/ROW	Dimensions	
	M	L
02	2.00	5.96
03	4.00	7.95
04	6.00	9.96
05	8.00	11.96
06	10.00	13.96
07	12.00	15.96
08	14.00	17.96
09	16.00	19.96
10	18.00	21.96
11	20.00	23.96
12	22.00	25.96
13	24.00	27.96
14	26.00	29.96
15	28.00	31.96

D



Recommended P.C.B Layout
 (Tolerance=±0.05)

C

B

Ordering Information

XB-X20-PCB-123-A003 XX XX A 003 E X B X

No. of Pins per Row
02~15

Standard Plating
02=Gold Flash
Selective Plating
01=Tin
22=Matte Tin

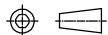
Color
1=Black
2=White

Standard Packing
N=PE Bag
Selective Packing
C=Tube

A

东莞市溪榜电子有限公司
DONG GUAN XI BANG ELECTRONICS CO., LTD

3RD.ANG
PROJ.



PAGE. 1/1

GENERAL TOLERANCE

X.'±5.0'	X.±/
.X'±3.0'	.X±0.30
.XX'±2.0'	.XX±0.25
.XXX'±1.0'	.XXX±0.15

DESIGNED:

DATE:

CHECKED:

DATE:

APPROVED:

DATE:

DWG. NO.

XB-X20-PCB-123-A003

PART NO.

TITLE.

PITCH 2.0mm 90° WAFER

REV. A

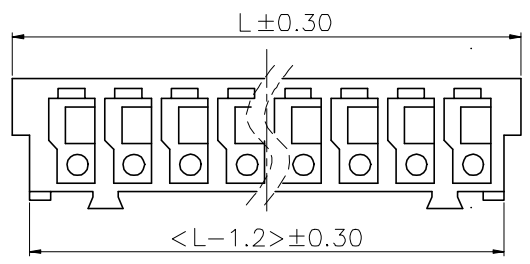
UNIT. mm

SCALE. 1:1

1 2 3 4 5 6 7 8 9

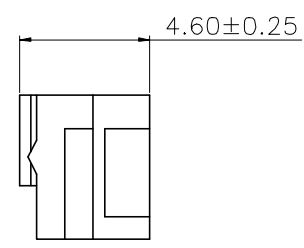
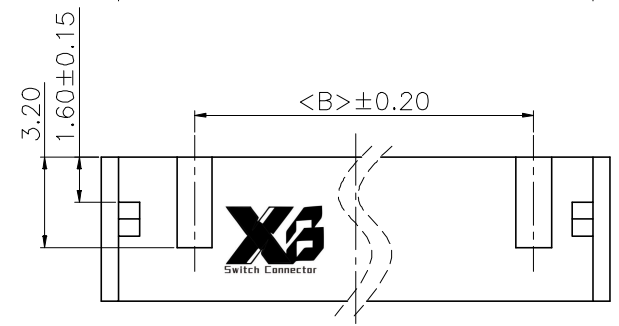
1 2 3 4 5 6 7 8 9

F

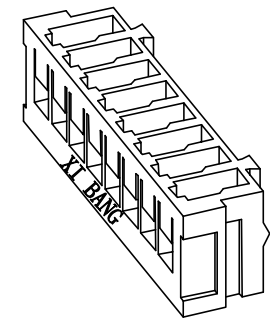
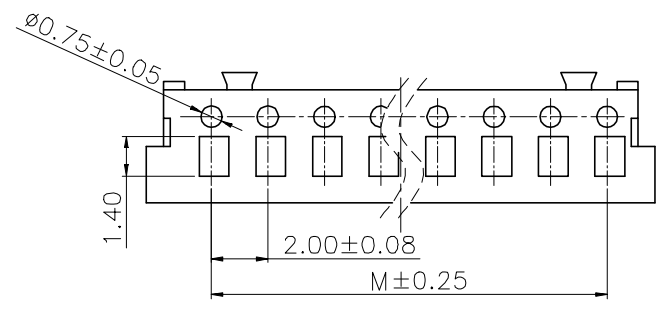


Specifications:
 Current rating:4A AC/DC.
 Voltage rating:125V AC/DC
 Temperature range:-40°C~+105°C.
 Contact resistance:10mΩ Max.
 Insulation resistance:1000MΩ Min.
 Withstanding voltage: 1000V AC/minute.
 Material:Nylon66 UL94V-0.

E



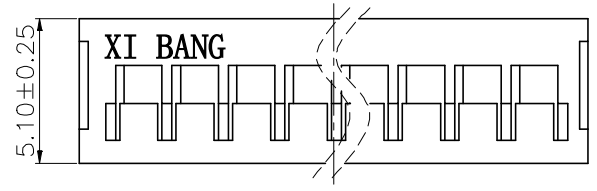
D



No of Pin/Row	Dimensions		
	M	B	L
02	2.00		6.00
03	4.00		8.00
04	6.00	4.00	10.00
05	8.00	6.00	12.00
06	10.00	8.00	14.00
07	12.00	10.00	16.00
08	14.00	12.00	18.00
09	16.00	14.00	20.00
10	18.00	16.00	22.00
11	20.00	18.00	24.00
12	22.00	20.00	26.00
13	24.00	22.00	28.00
14	26.00	24.00	30.00
15	28.00	26.00	32.00
16	30.00	28.00	34.00

C

B



XB-X20-PCB-123-A003M XX A X

**No. of Pin/Row
02 ~16**

**Material/Color
M=NYLON 66/White
NF=NYLON 66/Transparent**

A

XB 东莞市溪榜电子有限公司
 DONG GUAN XI BANG ELECTRONICS CO., LTD

REV. A UNIT. mm SCALE. 1:1

3RD.ANG PROJ.
 PAGE. 1/1

GENERAL TOLERANCE	
X.位 /	X.?
.X位 /	.X?.30
.XX位 /	.XX?.20
.XXX位 /	.XXX?. 15

DESIGNED:
 CHECKED:
 APPROVED:

DATE:
 DATE:
 DATE:

DWG. NO.
 XB-X20-PCB-123-A003M
 PART NO.

TITLE.
 2.00mm pitch housing

1 2 3 4 5 6 7 8 9

F

E

D

C

B

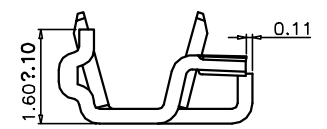
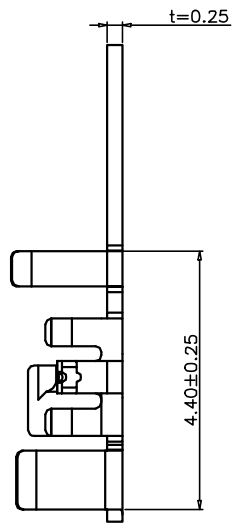
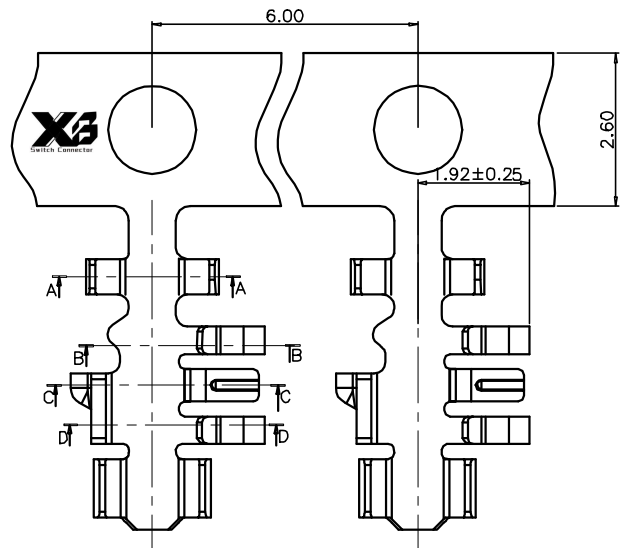
A

1 2 3 4 5 6 7 8 9

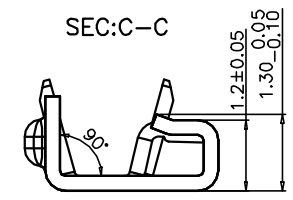
F
E
D
C
B
A

F
E
D
C
B
A

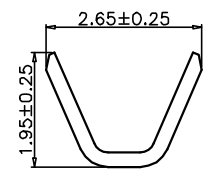
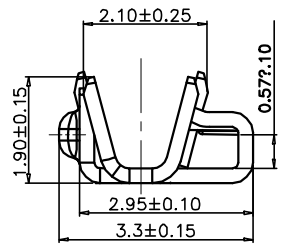
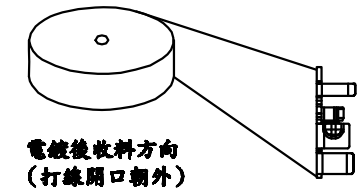
Specifications:
Material: Phosphor Bronze
Wire range: AWG#22-26
Insulation O.D: 1.50mm(max)
Qty/reel:10000PCS



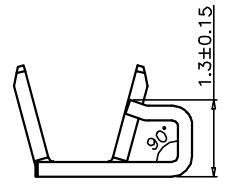
SEC:C-C



SEC:D-D



SEC:A-A



SEC:B-B

Ordering Information

XB-X20-PCB-123-A003D XX XX

Standard Plating
 01=Tin
 02=Gold flash

Materials
 AB=Phosphor Bronze

XB 东莞市溪榜电子有限公司
 DONG GUAN XI BANG ELECTRONICS CO., LTD

3RD.ANG
 PROJ.

GENERAL TOLERANCE	
X.停 /	X.?
.X停 /	.X?.25
.XX停 /	.XX?.20
.XXX停 /	.XXX?. 15

DESIGNED:
 CHECKED:
 APPROVED:

DATE:
 DATE:
 DATE:

DWG. NO.
 XB-X20-PCB-123-A003D
 PART NO.

TITLE.
2.00mm Pitch Terminal

REV.	UNIT.	SCALE.	PAGE.
A	mm	1:1	1/1

1 2 3 4 5 6 7 8 9