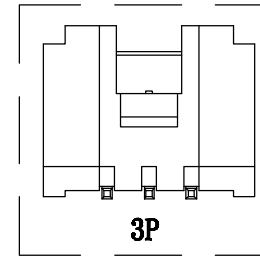
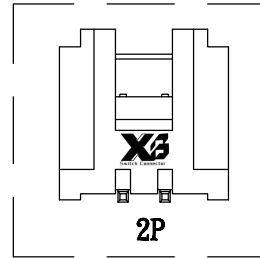
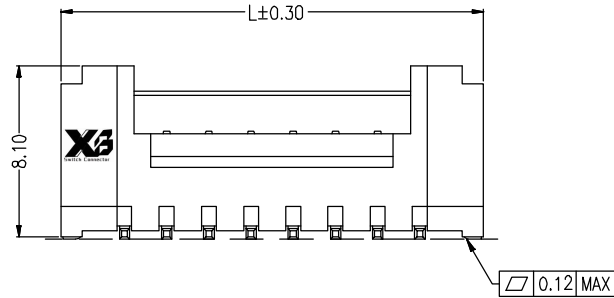


NOTES:

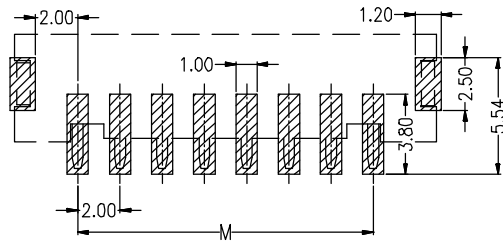
CURRENT RATING:3A AC/DC.
 VOLTAGE RATING:250V AC/DC
 TEMPERATURE RANGE:-40°C~+105°C.
 CONTACT RESISTANCE:30mΩ Max.
 INSULATION RESISTANCE:1000MΩ Min.
 WITHSTANDING VOLTAGE: 1000V AC/MINUTE.

MATERIAL:

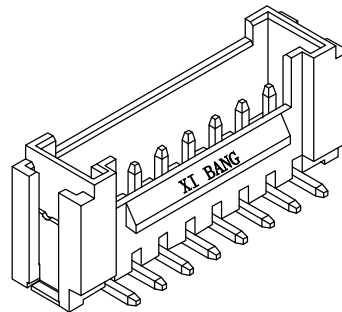
HOUSING:LCP UL94V-0
 CONTACT: COPPER ALLOY



No. of pin/row	Dimensions(mm)	
	L	M
02	8.00	2.00
03	10.00	4.00
04	12.00	6.00
05	14.00	8.00
06	16.00	10.00
07	18.00	12.00
08	20.00	14.00
09	22.00	16.00
10	24.00	18.00
11	26.00	20.00
12	28.00	22.00
13	30.00	24.00
14	32.00	26.00
15	34.00	28.00
16	36.00	30.00



PCB LAYOUT



Ordering Information

XB-X20-PCB-112-A002 XX A 002 C X B X

No. of Pins per Row
02~16

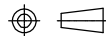
Standard Plating
01=Tin
Selective Plating
02=Gold Flash
22=Matte Tin
...

Color
1=Black
2=White
...

Standard Packing
D=Tape&Reel
Selective Packing
B=Tray
...

XB 东莞市溪榜电子有限公司
 DONG GUAN XI BANG ELECTRONICS CO., LTD

3RD.ANG
PROJ.



PAGE.
1/1

GENERAL TOLERANCE

X.'±3.0'	X.±/
.X'±2.0'	.X±0.30
.XX'±1.5'	.XX±0.25
.XXX'±1.0'	.XXX±0.15

DESIGNED:

DATE:

CHECKED:

DATE:

APPROVED:

DATE:

DWG. NO.

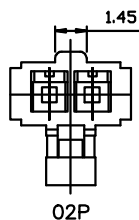
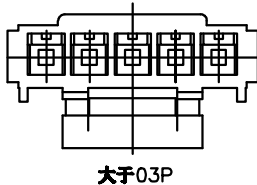
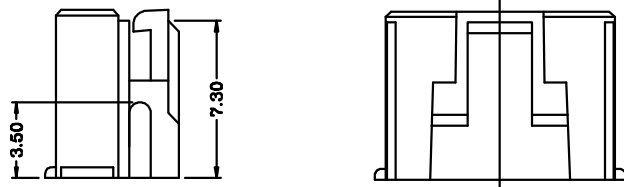
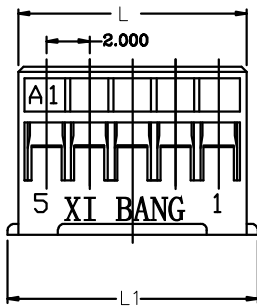
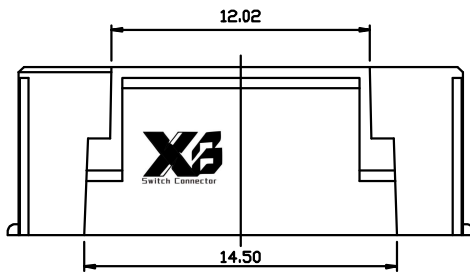
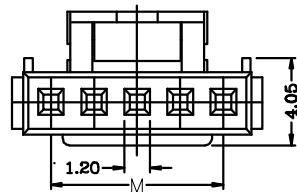
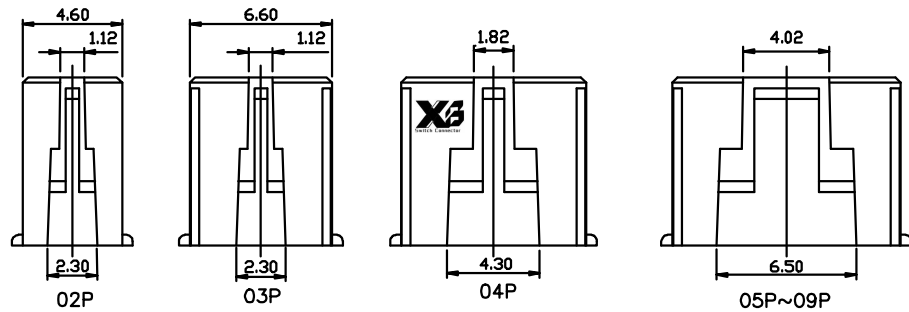
XB-X20-PCB-112-A002

PART NO.

TITLE.

2.00mm pitch wafer SMT

REV. A UNIT. mm SCALE. 1:1



XB-X20-PCB-112-A002M XX

**No. of Pin/Row
02 ~16**

A

X

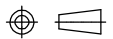
**Material/Color
M=NYLON 66/White
NF=NYLON 66/Transparent**

Specifications:
Current rating:3A AC/DC.
Voltage rating:250V AC/DC
Temperature range:-40°C~+105°C.
Contact resistance:30mΩ Max.
Insulation resistance:1000MΩ Min.
Withstanding voltage: 1000V AC/minute.
Material:Nylon66 UL94V-0.

No. of Pin	Dimensions		
	M	L	L1
02P	2.00	4.60	5.60
03P	4.00	6.60	7.60
04P	6.00	8.60	9.60
05P	8.00	10.60	11.60
06P	10.00	12.60	13.60
07P	12.00	14.60	15.60
08P	14.00	16.60	17.60
09P	16.00	18.60	19.60
10P	18.00	20.60	21.60
11P	20.00	22.60	23.60
12P	22.00	24.60	25.60
13P	24.00	26.60	27.60
14P	26.00	28.60	29.60
15P	28.00	30.60	31.60
16P	30.00	32.60	33.60

东莞市溪榜电子有限公司
DONG GUAN XI BANG ELECTRONICS CO., LTD

3RD.ANG PROJ.



PAGE. 1/1

GENERAL TOLERANCE	
X.' ±/	X.± /
.X' ±/	.X± 0.25
.XX' ±/	.XX± 0.15
.XXX' ±/	.XXX± 0.10

DESIGNED:
CHECKED:
APPROVED:

DATE:
DATE:
DATE:

DWG. NO.
XB-X20-PCB-112-A002M
PART NO.

TITLE.
2.00mm pitch housing

1 2 3 4 5 6 7 8 9

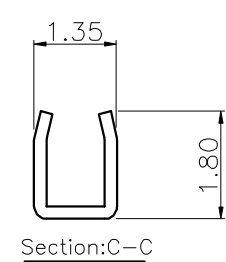
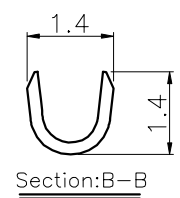
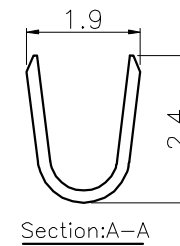
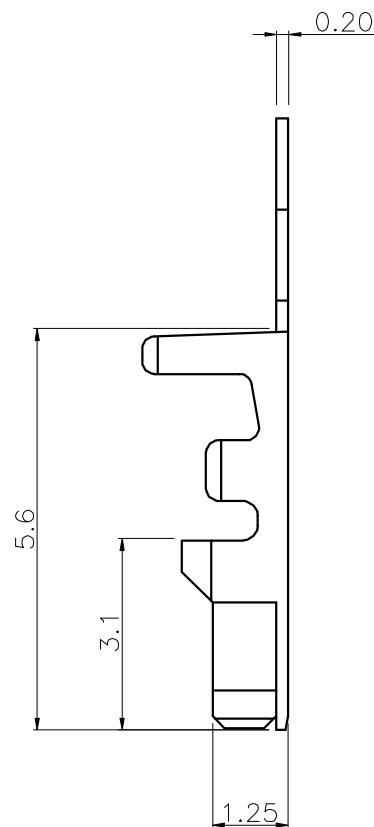
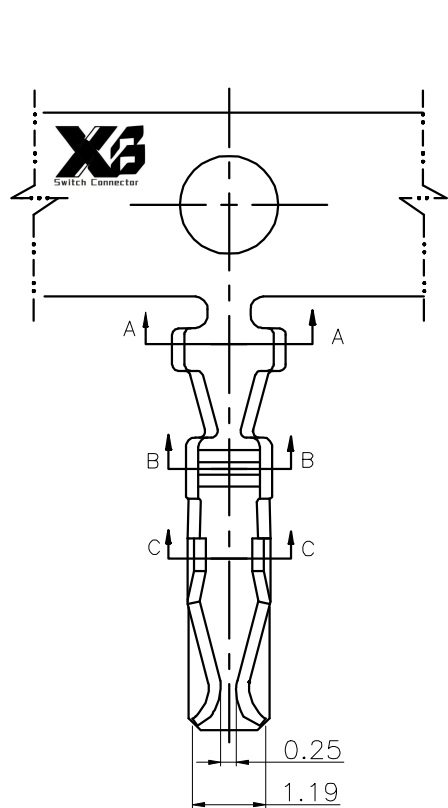
F

E

D

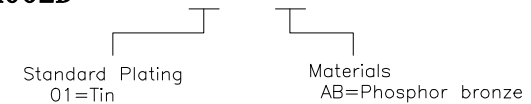
C

B



Ordering Information

XB-X20-PCB-112-A002D XX XX



A

东莞市溪榜电子有限公司 DONG GUAN XI BANG ELECTRONICS CO., LTD				
REV.	UNIT.	SCALE.	PAGE.	
B	mm	1:1	1/1	
GENERAL TOLERANCE X:±/ X.±/ .X'±/ .X±0.30 .XX'±/ .XX±0.20 .XXX'±/ .XXX±0.10				
DESIGN: DATE: CHECKED: DATE: AUDITED: DATE:				

DWG. NO.	TITLE.
XB-X20-PCB-112-A002D	2.00mm Pitch terminal
PART NO.	

1 2 3 4 5 6 7 8 9

F

E

D

C

B

A